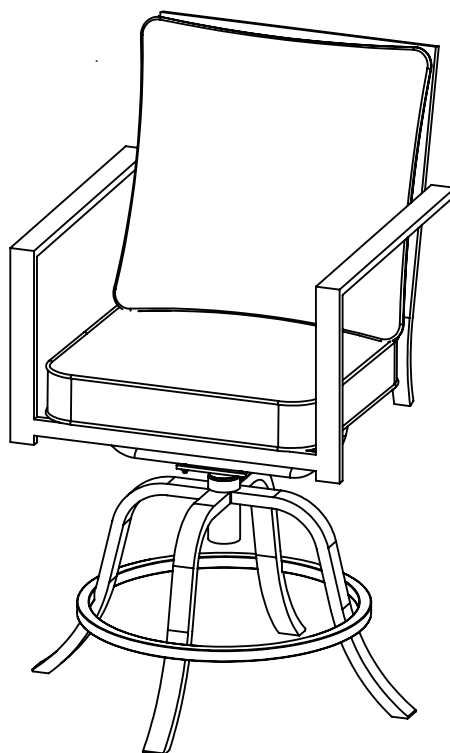


CANVAS^{TM/MC}

FAIRVIEW SWIVEL BALCONY CHAIRS

MODEL NO. 088-2224-8



ASSEMBLY INSTRUCTIONS

Toll-free: 1-888-670-6684

IMPORTANT: Please read this manual carefully before beginning assembly of this product. Keep this manual for future reference.

Important Safety Instructions	2
Parts List	3
Assembly	4
Maintenance	5
Warranty	5

• **Warning!**

To reduce the risk of serious injury, read the following safety instructions before assembling and using the product.

• **Caution!**

Always keep children under close supervision while they are using or around this product. Never leave children unattended.

• **SET UP YOUR FURNITURE PROPERLY**

Ensure that all parts are assembled properly and fully tightened as per the instructions. When placing in the desired location, ensure that all legs are resting on the same surface. You may adjust the leg levellers as required to ensure that the item stands in a rigid position.

• **EXAMINE YOUR FURNITURE**

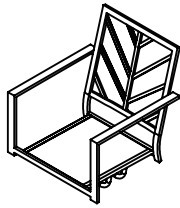
Examine occasionally to ensure that there are no loose parts. If loose parts are found, they must be retightened fully before additional use.

• **Do not completely tighten bolts and nuts until indicated in assembly step.**

IMPORTANT: Retain for future reference, and read carefully.

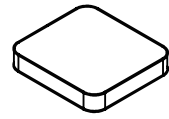
1

Chair Top - 2



4

Seat Cushion - 2



2

Centre Post - 2



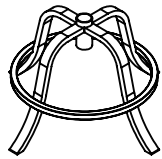
5

Back Cushion - 2



3

Base - 2



Let us help you!

**DO NOT RETURN YOUR PRODUCT TO THE STORE. CALL US FIRST!
1-888-670-6684**

If you have questions regarding your product, require warranty assistance, or have damaged or missing parts, please call our customer service toll-free helpline. Contact us for assistance; we're here to help.

IMPORTANT: Please read and understand this manual before any assembly. Before beginning assembly of product, make sure all parts are present. Compare parts with packaging contents list. If any part is missing, or if you have any questions, contact the service centre at **1-888-670-6684 (toll free)**.

Place all parts from the box in a cleared area and position them on the floor in front of you. Remove all packing materials and place them back into the box. Do not dispose of the packing materials until assembly is complete. Read each step carefully before beginning any assembly and make sure you understand each step. If you are missing a part, please call our toll-free number for assistance: 1-888-670-6684 between 9:00 am to 5:00 pm Eastern standard time Monday through Friday.

Needed for assembly:



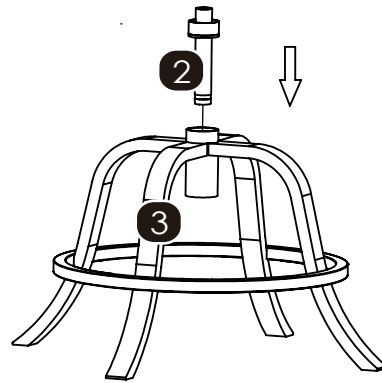
1 person

4 MODEL NO. 088-2224-8

Step 1

Requires **2, 3**.

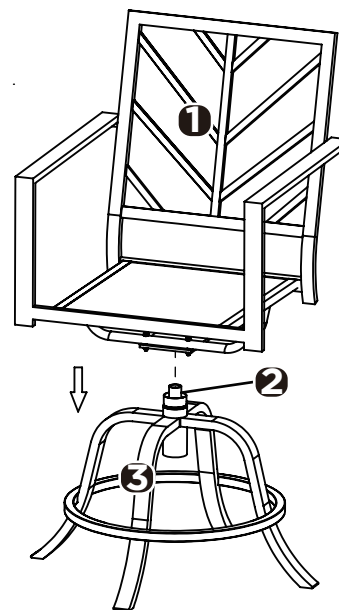
Insert the centre **2** into the swivel base **3**.



Step 2

Requires **1, 2, 3**.

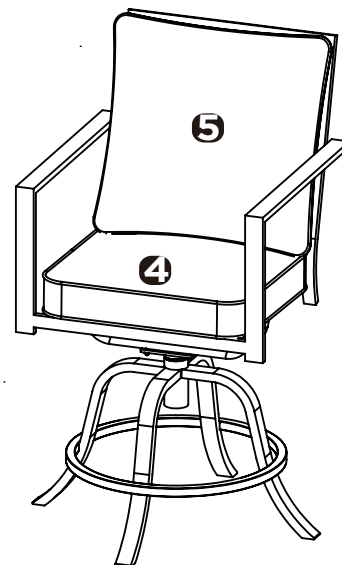
Insert the swivel top **1** into the centre post **2**.



Step 3

Requires **4, 5**.

Put the seat cushion **4** and back cushion **5** onto the swivel frame **1**. Repeat assembly instructions with the other chair. Your swivel chairs are now ready for use.



- Though its powder-coated finish is rust-resistant, steel is prone to rust over time with exposure to the elements. In case of rust or scratches, lightly sand the affected area and apply touch-up paint. To maintain the finish, periodically apply wax with a soft cloth.
- Wash frames with a mild solution of soap and water; rinse thoroughly. Do not use bleach or solvents.
- CARING FOR OUTDOOR FURNITURE WITH CUSHIONS:
Wash frames and cushions with a mild solution of soap and water; rinse thoroughly. Dry frame completely and allow cushions to drip-dry. Do not use bleach or solvents.

This CANVASTM product carries a one (1) year warranty against defects in workmanship and materials. Trileaf Distribution agrees to replace a defective product free of charge within the stated warranty period, when returned by the original purchaser with proof of purchase. This product is not guaranteed against rust, wear or breakage due to misuse and/or abuse.

Made in China

**Imported by
Trileaf Distribution Trifeuil Toronto, Canada M4S 2B8**