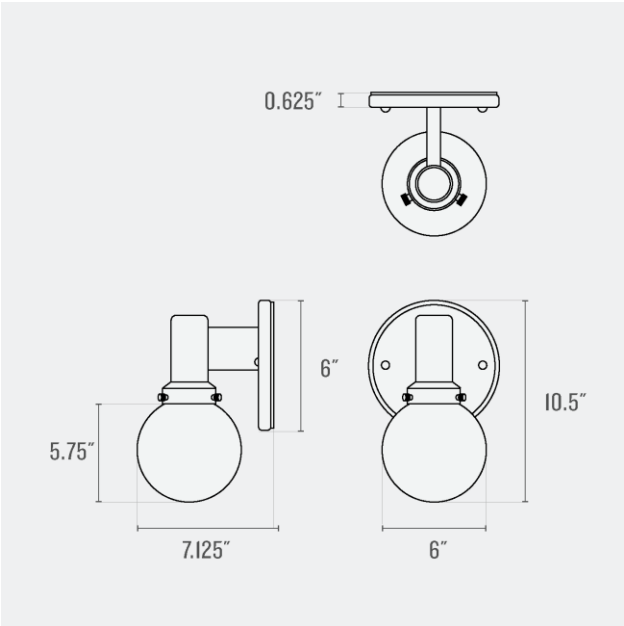


# SCHOOLHOUSE

## Otto Sconce

**Application:** Wall Sconce

One year guarantee



# SCHOOLHOUSE

Color Option(s)



Alder-Gloss  
(AGR-G)



Black-Gloss  
(BK-G)



Bellini-Gloss  
(BN-G)



Butterscotch-Gloss  
(BU-G)



Chamomile-Gloss  
(CE-G)



Juniper-Gloss  
(JPR-G)



Lichen-Gloss  
(LN-G)



Pebble-Gloss  
(PEB-G)



Pool-Gloss  
(PL-G)



Persimmon-Gloss  
(PS-G)



Shell White-Gloss  
(SWT-G)



White-Gloss  
(WT-G)

Glass Option(s)



Clear Glass  
(CL)

# SCHOOLHOUSE

## Otto Sconce - Closed Globe Shade

**Application:** Wall Sconce

**UL Listed:** Yes

**Max Wattage:** 40 W

**Voltage:** 120/220 V

**Location Rating:** Wet

**Dimensions:**

Overall: 10.5" H x 6" W x 7.125" D

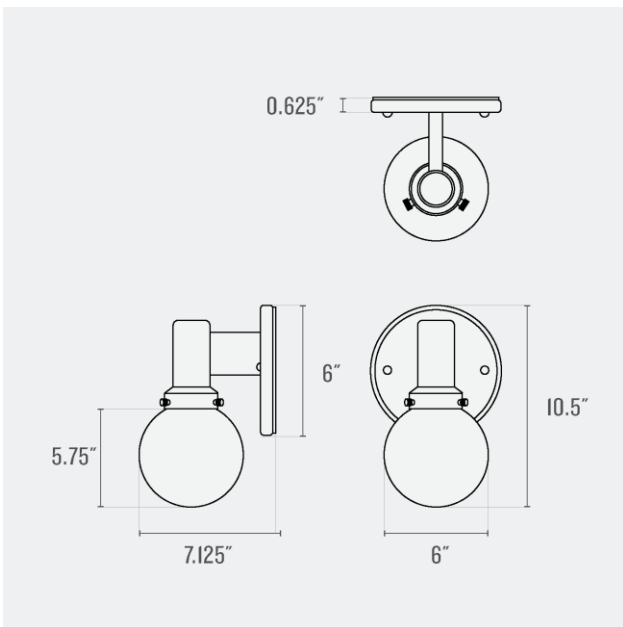
Shade: 5.75" H x 6" W x 6" D

Canopy: 6" H x 6" W x 0.625" D

Fitter Size: 2.25"

**Materials:** Brass or Steel, Glass

One year guarantee



# SCHOOLHOUSE

## Fixture Option(s)



Alder-Gloss  
(AGR-G)



Black-Gloss  
(BK-G)



Bellini-Gloss  
(BN-G)



Butterscotch-Gloss  
(BU-G)



Chamomile-Gloss  
(CE-G)



Juniper-Gloss  
(JPR-G)



Lichen-Gloss  
(LN-G)



Laurel-Gloss  
(LR-G)



Pebble-Gloss  
(PEB-G)



Pool-Gloss  
(PL-G)



Persimmon-Gloss  
(PS-G)



Shell White-Gloss  
(SWT-G)



White-Gloss  
(WT-G)

## Shade Option(s)



Opal Glass  
(OP)



Clear Glass  
(CL)

# SCHOOLHOUSE

## Otto Sconce - Stepped Shade



**Application:** Wall Sconce

**UL Listed:** Yes

**Max Wattage:** 40 W

**Voltage:** 120/220 V

**Location Rating:** Wet

**Dimensions:**

Overall: 9.75" H x 6" W x 6.625" D

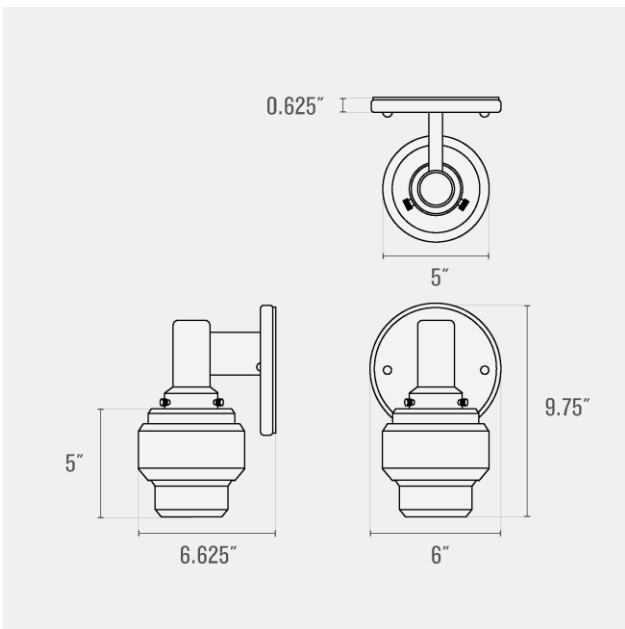
Shade: 5" H x 5" W x 5" D

Canopy: 6" H x 6" W x 0.625" D

Fitter Size: 2.25"

**Materials:** Brass or Steel, Glass

One year guarantee



# SCHOOLHOUSE

## Fixture Option(s)



Alder-Gloss  
(AGR-G)



Black-Gloss  
(BK-G)



Bellini-Gloss  
(BN-G)



Butterscotch-Gloss  
(BU-G)



Chamomile-Gloss  
(CE-G)



Juniper-Gloss  
(JPR-G)



Lichen-Gloss  
(LN-G)



Laurel-Gloss  
(LR-G)



Pebble-Gloss  
(PEB-G)



Pool-Gloss  
(PL-G)



Persimmon-Gloss  
(PS-G)



Shell White-Gloss  
(SWT-G)



White-Gloss  
(WT-G)

## Shade Option(s)



Clear Glass  
(CL)



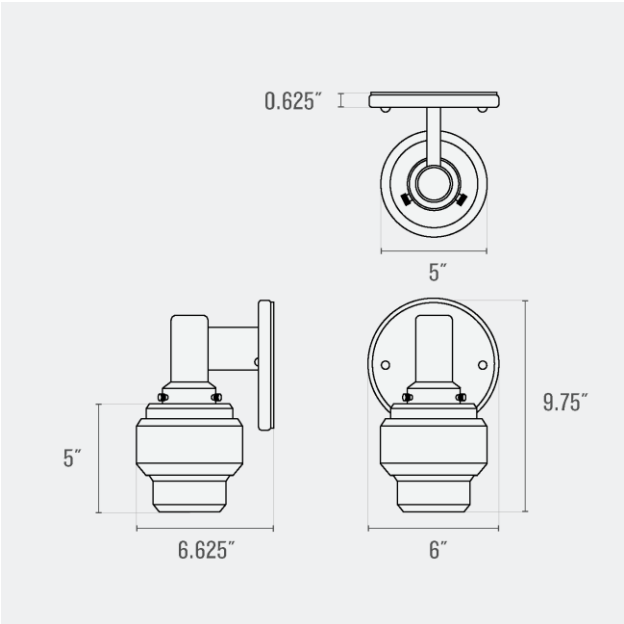
Opal Glass  
(OP)

# SCHOOLHOUSE

## Otto Sconce

**Application:** Wall Sconce

One year guarantee



# SCHOOLHOUSE

---

## Color Option(s)



Alder-Gloss  
(AGR-G)



Black-Gloss  
(BK-G)



Bellini-Gloss  
(BN-G)



Butterscotch-Gloss  
(BU-G)



Chamomile-Gloss  
(CE-G)



Juniper-Gloss  
(JPR-G)



Lichen-Gloss  
(LN-G)



Laurel-Gloss  
(LR-G)



Pebble-Gloss  
(PEB-G)



Pool-Gloss  
(PL-G)



Persimmon-Gloss  
(PS-G)



Shell White-Gloss  
(SWT-G)



White-Gloss  
(WT-G)

## Glass Option(s)



Opal Glass  
(OP)

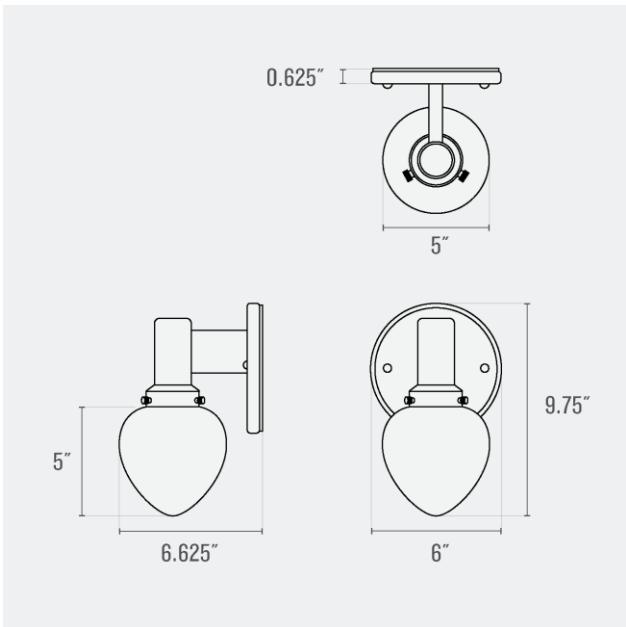


# SCHOOLHOUSE

## Otto Sconce

**Application:** Wall Sconce

One year guarantee



# SCHOOLHOUSE

---

## Color Option(s)



Alder-Gloss  
(AGR-G)



Black-Gloss  
(BK-G)



Bellini-Gloss  
(BN-G)



Butterscotch-Gloss  
(BU-G)



Chamomile-Gloss  
(CE-G)



Juniper-Gloss  
(JPR-G)



Lichen-Gloss  
(LN-G)



Laurel-Gloss  
(LR-G)



Pebble-Gloss  
(PEB-G)



Pool-Gloss  
(PL-G)



Persimmon-Gloss  
(PS-G)



Shell White-Gloss  
(SWT-G)



White-Gloss  
(WT-G)

## Glass Option(s)



Clear Glass  
(CL)

# SCHOOLHOUSE

## Otto Sconce - Acorn Shade



**Application:** Wall Sconce

**UL Listed:** Yes

**Max Wattage:** 40 W

**Voltage:** 120/220 V

**Location Rating:** Wet

**Dimensions:**

Overall: 9.75" H x 6" W x 6.625" D

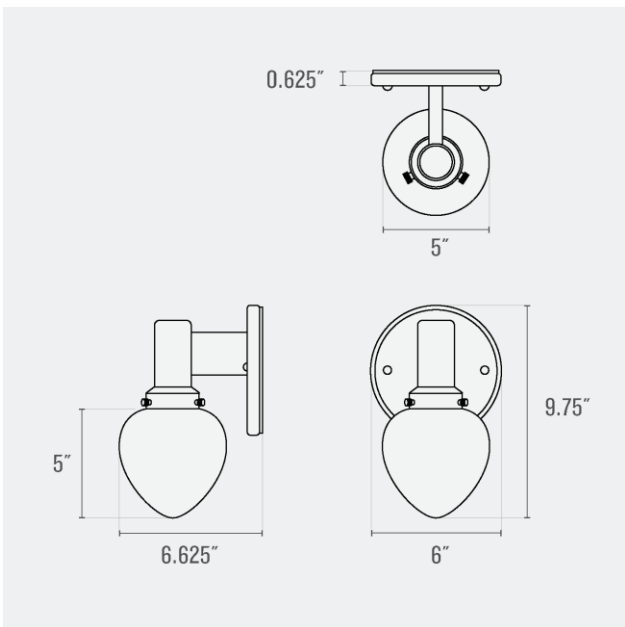
Shade: 5" H x 5" W x 5" D

Canopy: 6" H x 6" W x 0.625" D

Fitter Size: 2.25"

**Materials:** Brass or Steel, Glass

One year guarantee



# SCHOOLHOUSE

## Fixture Option(s)



Alder-Gloss  
(AGR-G)



Black-Gloss  
(BK-G)



Bellini-Gloss  
(BN-G)



Butterscotch-Gloss  
(BU-G)



Chamomile-Gloss  
(CE-G)



Juniper-Gloss  
(JPR-G)



Lichen-Gloss  
(LN-G)



Laurel-Gloss  
(LR-G)



Pebble-Gloss  
(PEB-G)



Pool-Gloss  
(PL-G)



Persimmon-Gloss  
(PS-G)



Shell White-Gloss  
(SWT-G)



White-Gloss  
(WT-G)

## Shade Option(s)



Clear Glass  
(CL)



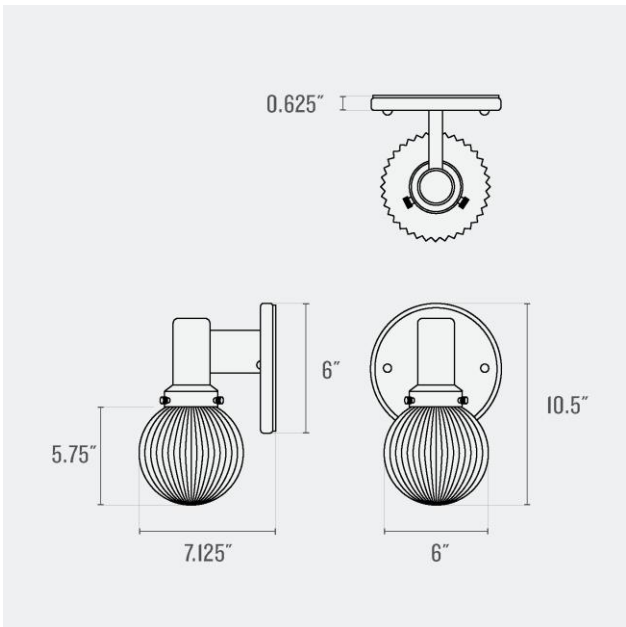
Opal Glass  
(OP)

# SCHOOLHOUSE

## Otto Sconce

**Application:** Wall Sconce

One year guarantee



# SCHOOLHOUSE

---

## Color Option(s)



Alder-Gloss  
(AGR-G)



Black-Gloss  
(BK-G)



Bellini-Gloss  
(BN-G)



Butterscotch-Gloss  
(BU-G)



Chamomile-Gloss  
(CE-G)



Juniper-Gloss  
(JPR-G)



Lichen-Gloss  
(LN-G)



Laurel-Gloss  
(LR-G)



Pebble-Gloss  
(PEB-G)



Pool-Gloss  
(PL-G)



Persimmon-Gloss  
(PS-G)



Shell White-Gloss  
(SWT-G)



White-Gloss  
(WT-G)

## Glass Option(s)



Clear Glass  
(CL)

# SCHOOLHOUSE

## Otto Sconce - Fluted Globe Shade



**Application:** Wall Sconce

**UL Listed:** Yes

**Max Wattage:** 40 W

**Voltage:** 120/220 V

**Location Rating:** Wet

**Dimensions:**

Overall: 10.5" H x 6" W x 7.125" D

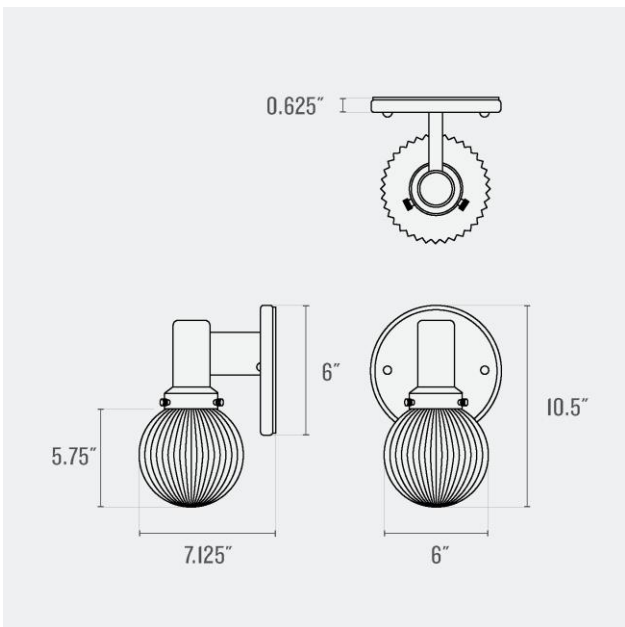
Shade: 5.75" H x 6" W x 6" D

Canopy: 6" H x 6" W x 0.625" D

Fitter Size: 2.25"

**Materials:** Brass or Steel, Glass

One year guarantee



# SCHOOLHOUSE

## Fixture Option(s)



Alder-Gloss  
(AGR-G)



Black-Gloss  
(BK-G)



Bellini-Gloss  
(BN-G)



Butterscotch-Gloss  
(BU-G)



Chamomile-Gloss  
(CE-G)



Juniper-Gloss  
(JPR-G)



Lichen-Gloss  
(LN-G)



Laurel-Gloss  
(LR-G)



Pebble-Gloss  
(PEB-G)



Pool-Gloss  
(PL-G)



Persimmon-Gloss  
(PS-G)



Shell White-Gloss  
(SWT-G)



White-Gloss  
(WT-G)

## Shade Option(s)



Clear Glass  
(CL)



Opal Glass  
(OP)