

COCKTAIL SERIES ICE MACHINES



KD-110 ~ KD-70 ~ KD-50

COCKTAIL SERIES

The KOLD-DRAFT Cocktail Series of Ice Machines provides consumers with a top-shelf choice for ice that matches their top-shelf beverage. The KOLD-DRAFT Cocktail Series produces a Large Cube measuring 1" x 1" x 1 1/4". The KOLD-DRAFT Cocktail Series consists of three machines with daily ice production of 50lbs, 70lbs or 110 lbs. KOLD-DRAFT equipment offers some of the best recovery rates in the industry, too. You get more ice, more often.

ICE

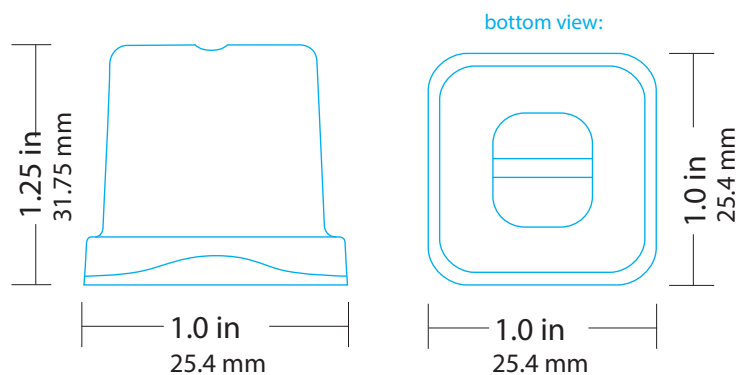
KOLD-DRAFT ice machines produce cubes known for their shape, purity, hardness, and slower melt rate. That means it not only looks better, but it tastes better and lasts longer in storage bins, cocktail sinks, drinks, salad bars, bags, and coolers. All KOLD-DRAFT ice machines feature a unique "upside-down" horizontal evaporator and water plate assembly. As water is sprayed upward into the evaporator cells, the pure water freezes first while particulates and air are forced out and dumped at the end of each cycle. This leaves only perfect cubes, nearly as pure as distilled water.

ADVANTAGES

- Automatic ice making
- Adjustable ice thickness . Low, medium, and high setting.
- Better ice quality, appearance, and clarity
- Special cleaning mode
- Easy operation
- Excellent insulation. Stores ice for a long time while saving energy!

actual size ice Cubes:

Large Cube:



KOLD-DRAFT®

ice machines • bins • crushers • dispensers

COCKTAIL SERIES ICE MACHINE

THE KOLD-DRAFT COCKTAIL SERIES

The **KD-110** produces up to 110 lbs. of ice per day and has storage capacity of 60 lbs.

The **KD-70** produces up to 70 lbs. of ice per day and has storage capacity of 40 lbs.

The **KD-50** produces up to 50 lbs. of ice per day and has storage capacity of 26.5 lbs.

Dimensions/Weight (with 6" legs)

Model	Unit Dimensions / inches (cm)			Shipping Weight
	W	D	H	
KD-110	24.8" (62.99cm)	20.7" (52.58cm)	36.7" (93.21cm)	130 lb (59kg)
KD-70	19.7" (50.03cm)	17" (43.18cm)	36.7" (93.21cm)	110 lb (50kg)
KD-50	15.5" (39.37cm)	17.7" (44.95cm)	36.7" (93.21cm)	95 lb (43kg)

Recommended Operating Requirements:

	MIN.	MAX.
Room Temp.	45°F (7°C)	90°F (32°C)
Water Temp.	45°F (7°C)	90°F (32°C)
Voltage 115	104V	126V
Potable Water Pressure	5 PSIG (0.034 MPA)	100 PSIG (0.6 MPA)

Plumbing:

1/4" hose
Drain

Exterior Finish:

300 Series stainless steel

Refrigeration System:

Refrigerant is R134A

Clearance Requirements:

Front must be completely unobstructed, at least 4" of clearance on the back, and 0.6" clearance for the top and sides.



IT'S NICE TO BE NOTICED™

Cocktail Series Daily Capacities: Lbs. of ice per 24 hours per unit

Model Number	Electrical Volt/Hz/Ph	Condenser	Cube Size	Ice Capacity 24 Hours lbs. (kg)		Energy Input 90°F/70°F kWh/100# (kJ/kg)	Tier	Water Use gal/100# (l/kg) 90°F/70°F		Min. Circuit Amp	Max. Fuse Size Amps
				70°F (21°C) / 50°F (10°C) Ambient/Water	90°F (32°C) / 70°F (21°C) Ambient/Water			Potable	Condenser		
KD-110	115/60/1	Air Cooled	Large	118 (53.5)	107 (48.5)	8.9 (738.1)	I	15.89 (1.1)	n/a	7	15
KD-70				82 (37.2)	73 (33.11)	9.2 (761.9)		21.67 (1.8)		5	
KD-50				59 (26.7)	43 (19.5)	12.9 (1023.8)		20.11 (1.7)		5	