

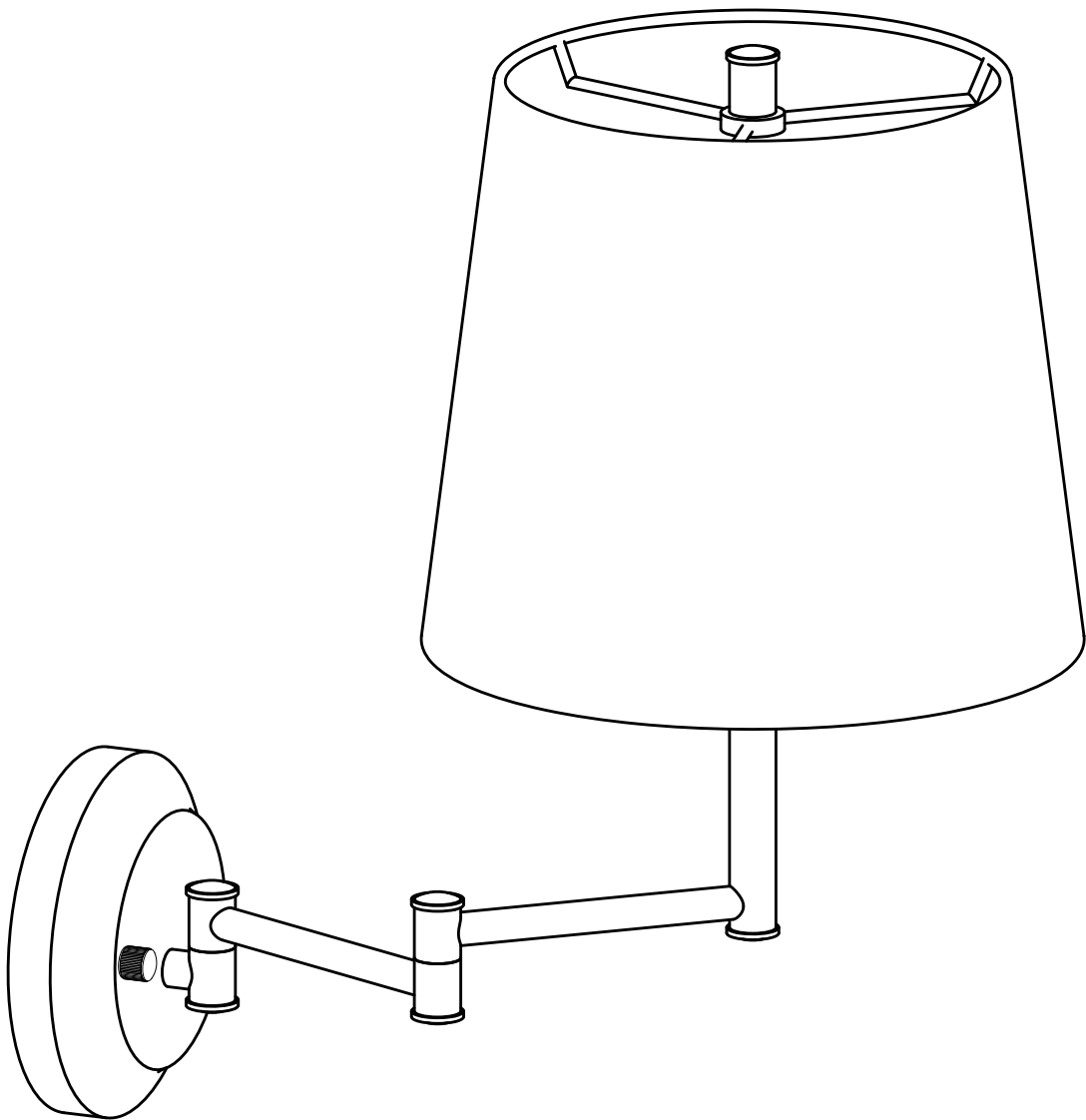
# LINEA ■ LIGHTING

---

## Swing Arm Lamp LL-WL708

### ASSEMBLY INSTRUCTIONS

REMOVE ALL PARTS FROM PACKAGE, BE CAREFUL NOT  
TO DAMAGE ANY COMPONENTS.



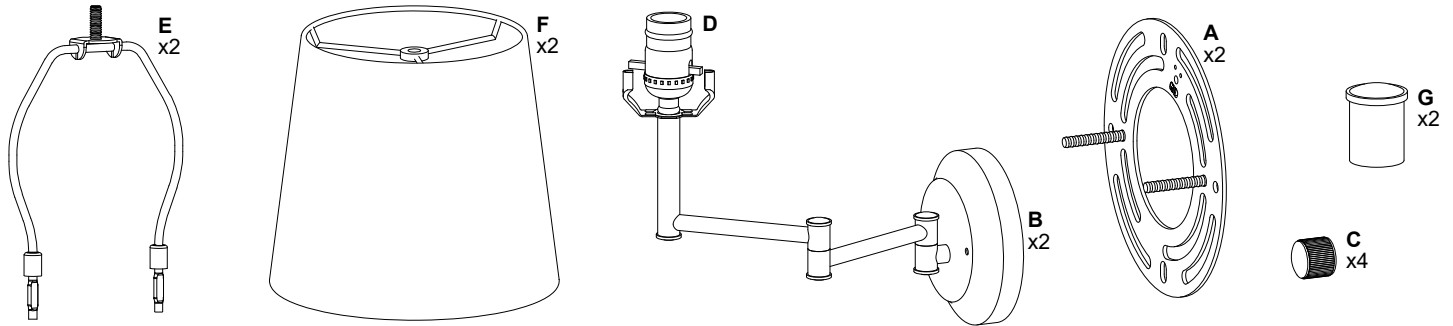
---

PROFESSIONAL INSTALLATION RECOMMENDED

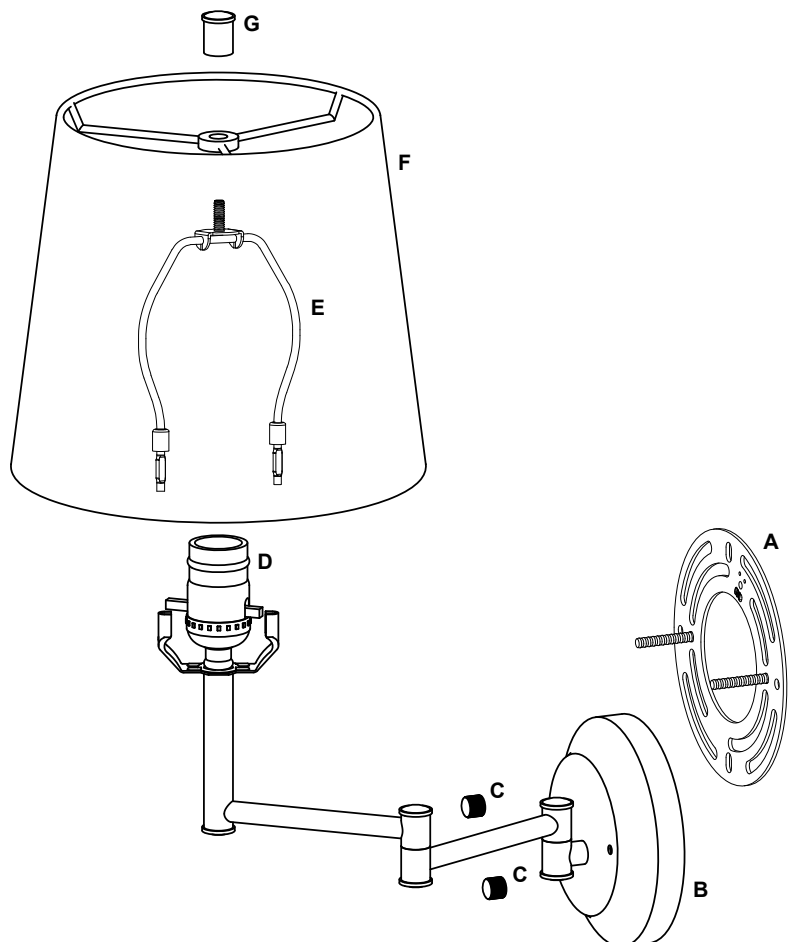
# LINEA ■ LIGHTING

## Swing Arm Lamp LL-WL708

REMOVE ALL PARTS FROM PACKAGE, BE CAREFUL NOT TO DAMAGE ANY COMPONENTS.



1. Measure area and determine desired mounting height.
2. Detach mounting plate(s) [A] from backplate(s) [B] by removing canopy nuts [C].
3. Mounting plate(s) [A] will attach to junction box(es).
4. Install light to wall. Linea Lighting recommends installation by a qualified electrical professional. Secure light to wall by replacing backplate nuts [C].
5. Install bulb(s) 60W max (not included).
6. Place shade harp(s) [E] onto socket(s) [D]. Place fabric shade(s) [F] onto shade harp(s) [E] and secure with finial(s) [G].



Note: Turn off switch before replacing the bulb. Make sure the bulb has sufficient time to cool down.  
Do not subject the lamp to any shock while lit as shattering of glass shade may result.