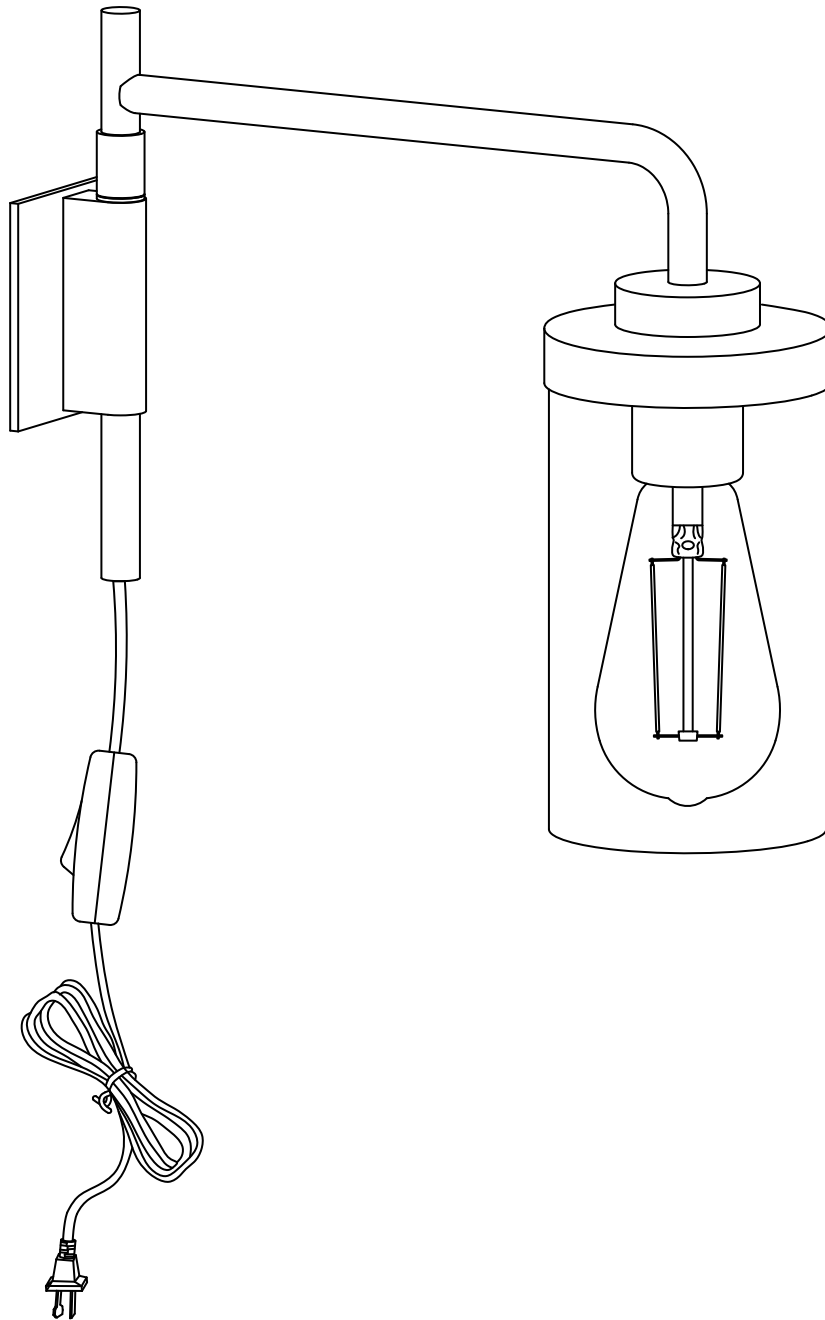


LINEA ■ LIGHTING

Wall Sconce LL-WL694

ASSEMBLY INSTRUCTIONS

REMOVE ALL PARTS FROM PACKAGE, BE CAREFUL NOT
TO DAMAGE ANY COMPONENTS.



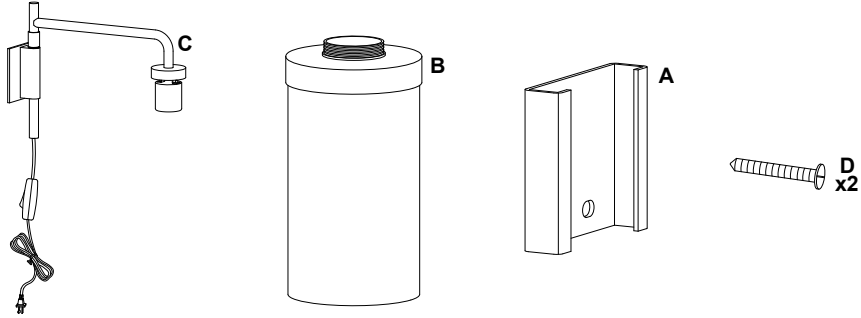
PROFESSIONAL INSTALLATION RECOMMENDED

LINEA ■ LIGHTING

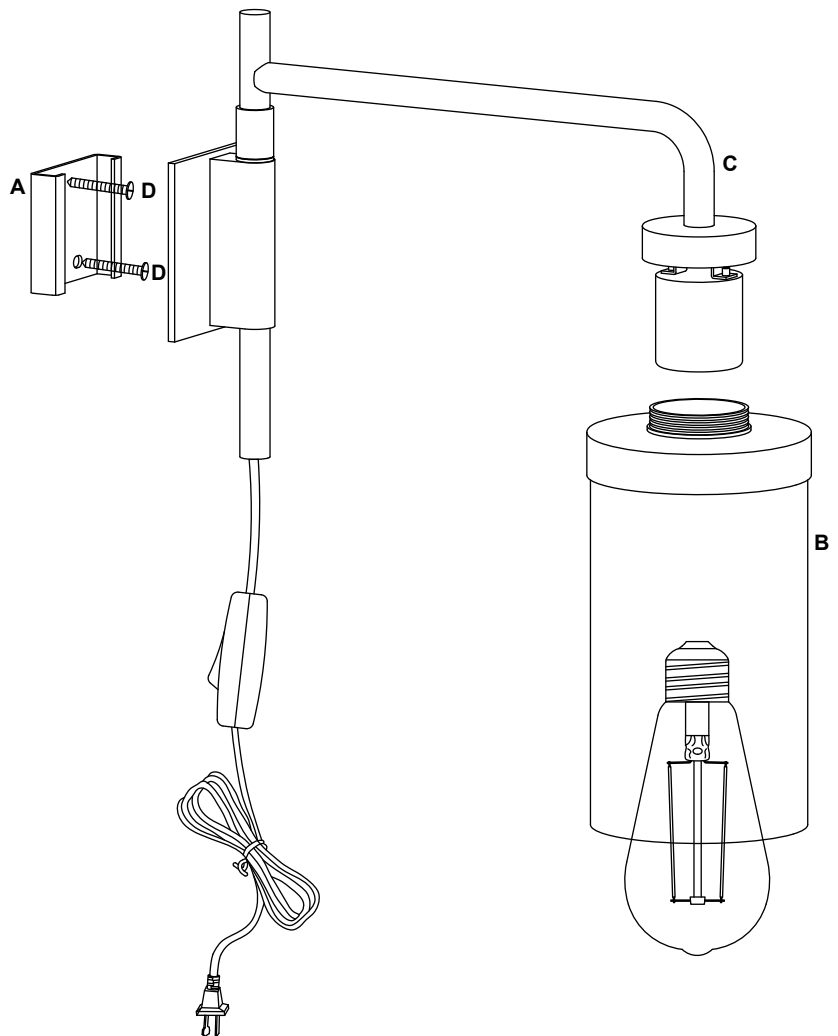
Wall Sconce

LL-WL694

REMOVE ALL PARTS FROM PACKAGE, BE CAREFUL NOT TO DAMAGE ANY COMPONENTS.



1. Measure area and determine desired mounting height.
2. Install mounting bracket [A] to wall using mounting screws [D].
3. Attach shade [B] by screwing over socket onto fixture arm [C].
4. Install bulb 60W max.
5. Slide fixture onto mounting bracket [A].
6. Plug in fixture. Use toggle switch to turn fixture on and off.



Note: Turn off switch before replacing the bulb. Make sure the bulb has sufficient time to cool down.
Do not subject the lamp to any shock while lit as shattering of glass shade may result.