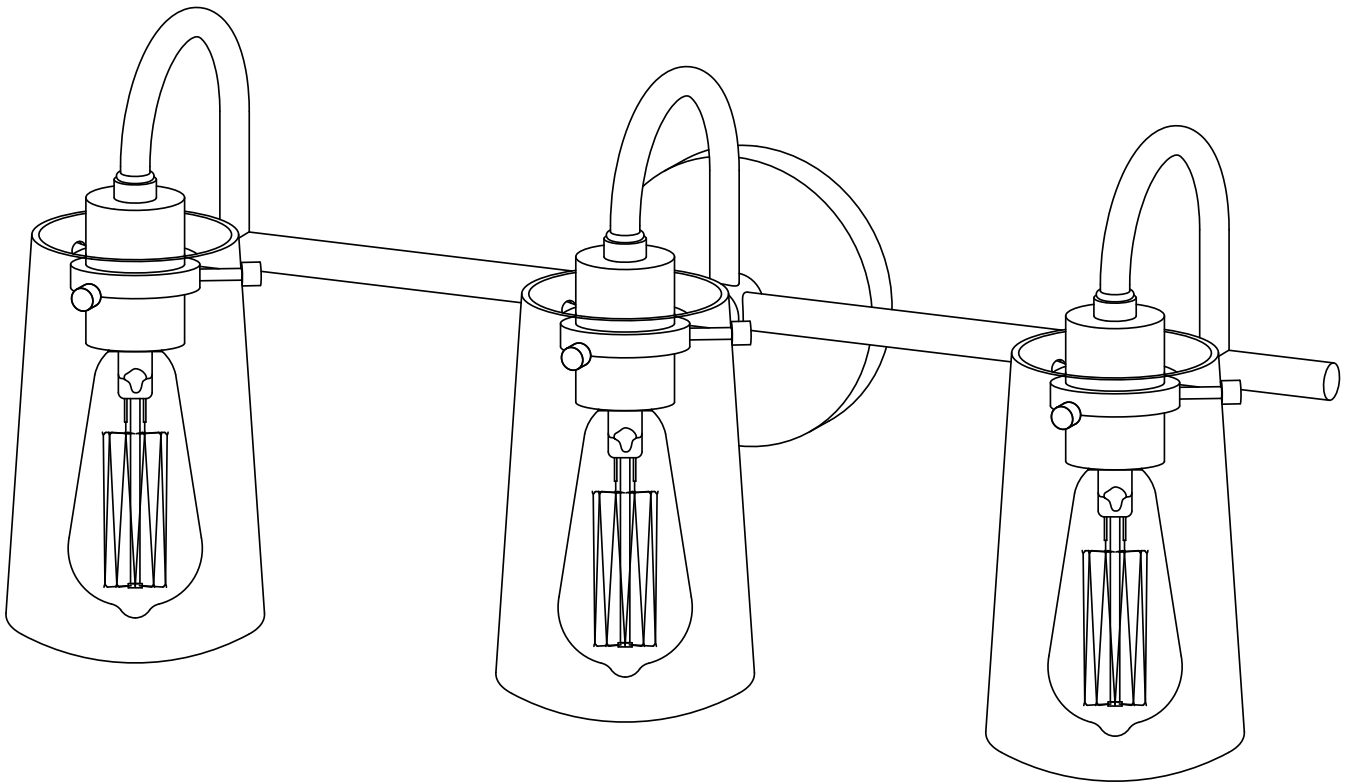


LINEA ■ LIGHTING

Lentia Three Light Wall Sconce LL-WL663

ASSEMBLY INSTRUCTIONS

REMOVE ALL PARTS FROM PACKAGE, BE CAREFUL NOT
TO DAMAGE ANY COMPONENTS.



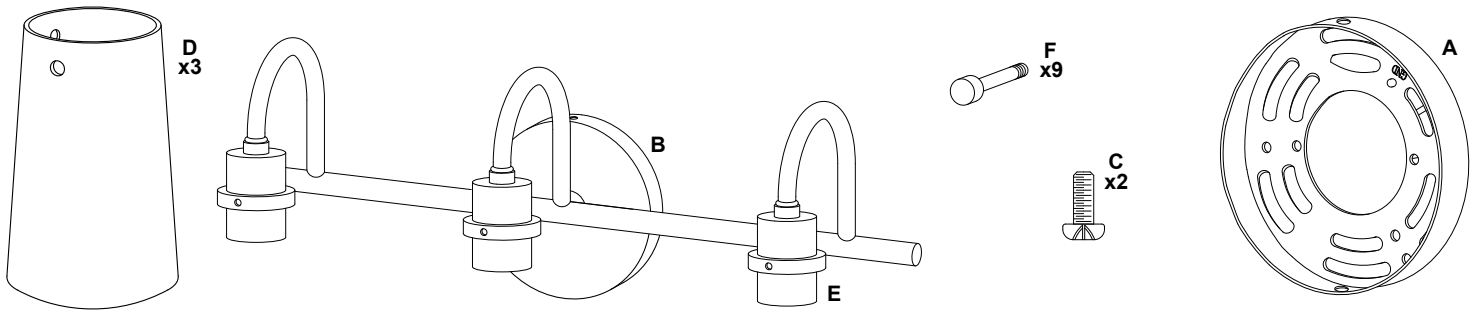
PROFESSIONAL INSTALLATION RECOMMENDED

LINEA ■ LIGHTING

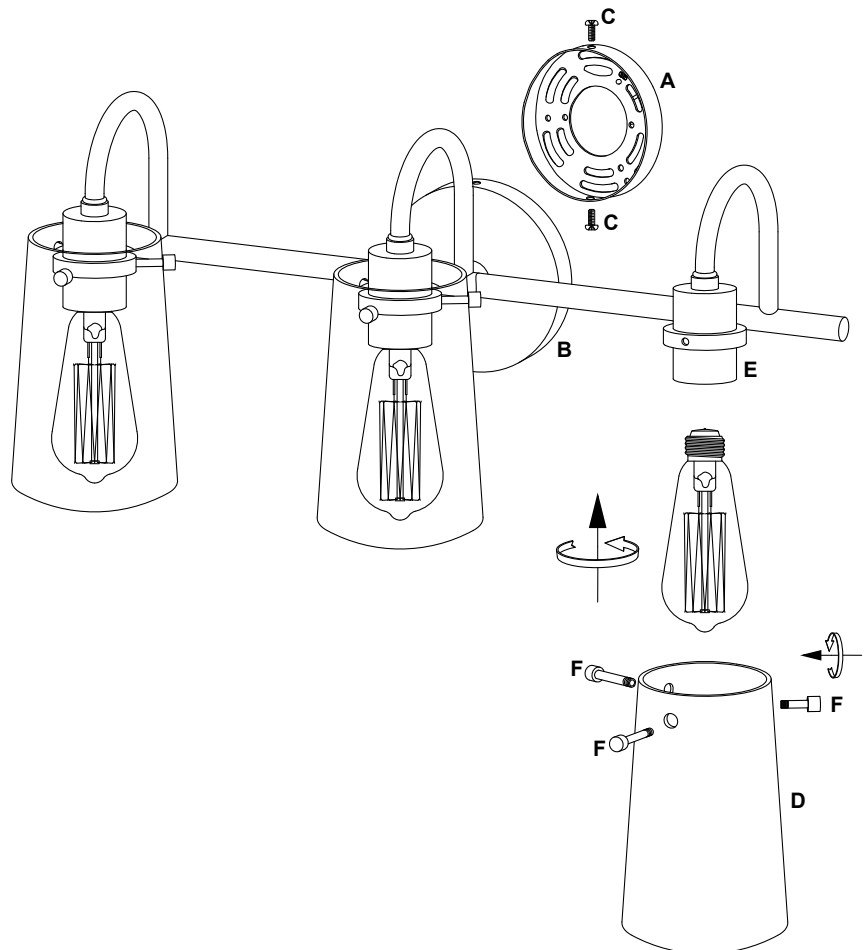
Lentia Three Light Wall Sconce

LL-WL663

REMOVE ALL PARTS FROM PACKAGE, BE CAREFUL NOT TO DAMAGE ANY COMPONENTS.



1. Measure area and determine desired mounting height.
2. Detach mounting plate [A] from backplate [B] by removing backplate screws [C].
3. Install light to wall. Linea Lighting recommends installation by a qualified electrical professional. Secure light to wall by replacing backplate screws [C].
4. Install bulb(s) 60W max
5. Install the glass shade(s) [D] onto socket(s) [E] and tighten by using glass screws [F].



Note: Turn off switch before replacing the bulb. Make sure the bulb has sufficient time to cool down. Do not subject the lamp to any shock while lit as shattering of glass shade may result.