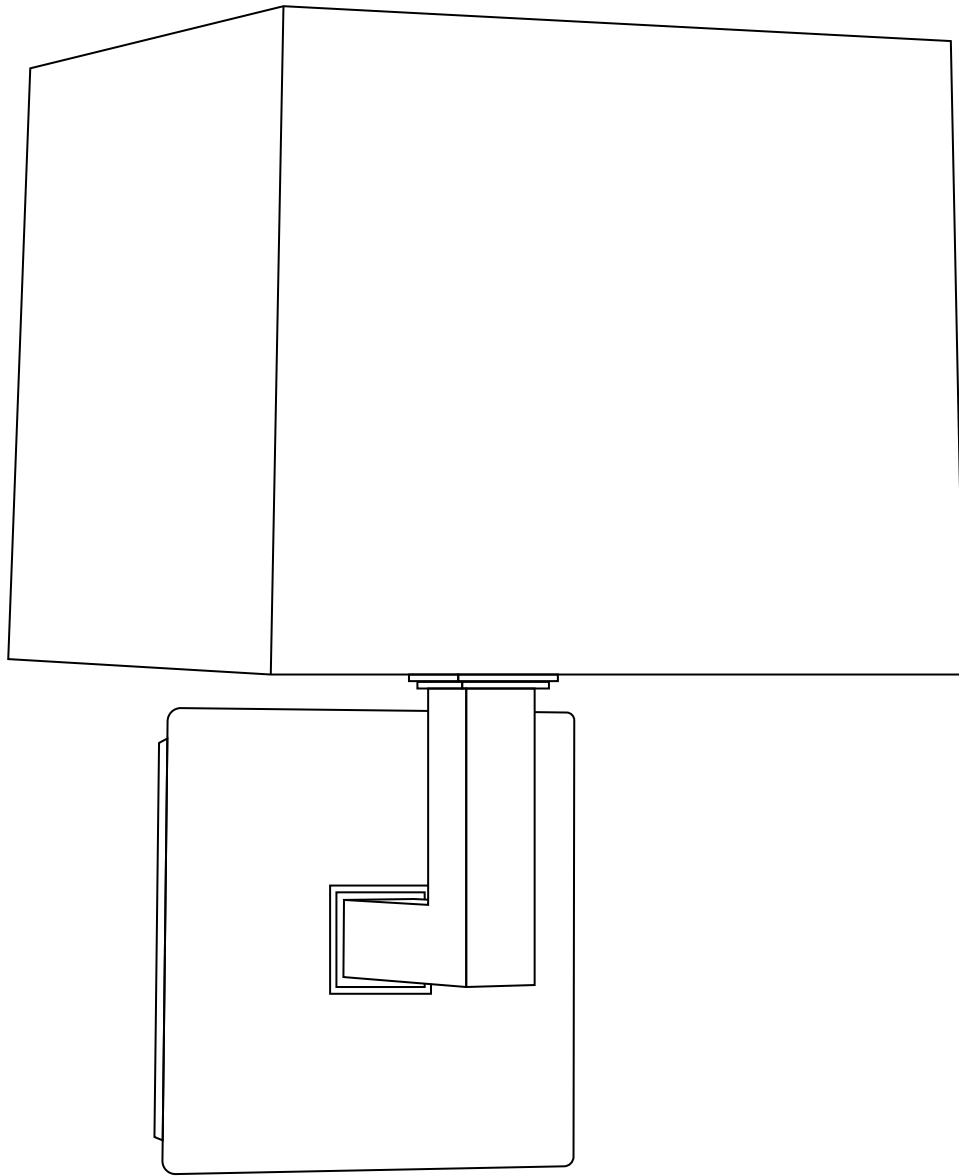


LINEA ■ LIGHTING

SOFIA WALL SCONCE LL-WL350

ASSEMBLY INSTRUCTIONS

REMOVE ALL PARTS FROM PACKAGE, BE CAREFUL NOT
TO DAMAGE ANY COMPONENTS.



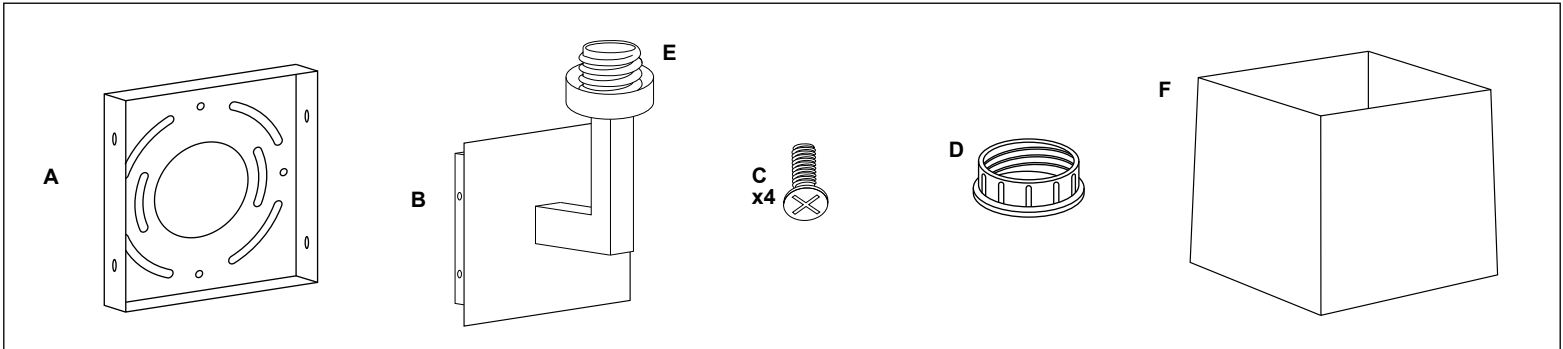
PROFESSIONAL INSTALLATION RECOMMENDED

LINEA ■ LIGHTING

SOFIA WALL SCNCE

LL-WL350

REMOVE ALL PARTS FROM PACKAGE, BE CAREFUL NOT TO DAMAGE ANY COMPONENTS.



1. Measure area and determine desired mounting height.

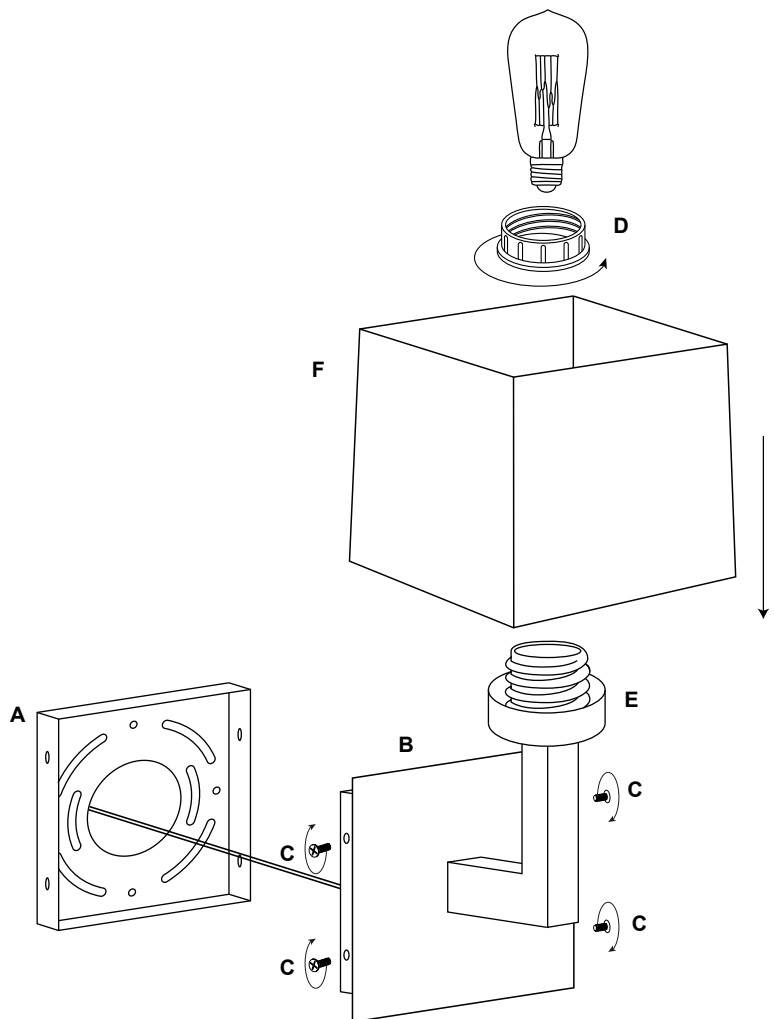
2. Detach mounting plate [A] from backplate [B].

Mounting plate [A] will attach to junction box.

3. Install light to wall. Linea Lighting recommends installation by a qualified electrical professional. Backplate screws [C] are used to tighten light to wall.

4. Remove socket ring [D] from socket [E].

5. Slide fabric shade [F] onto socket [E] and tighten with socket ring [D]. Install bulb 60W max (not included).



Note: Turn off switch before replacing the bulb. Make sure the bulb has sufficient time to cool down. Do not subject the lamp to any shock while lit as shattering of glass shade may result.