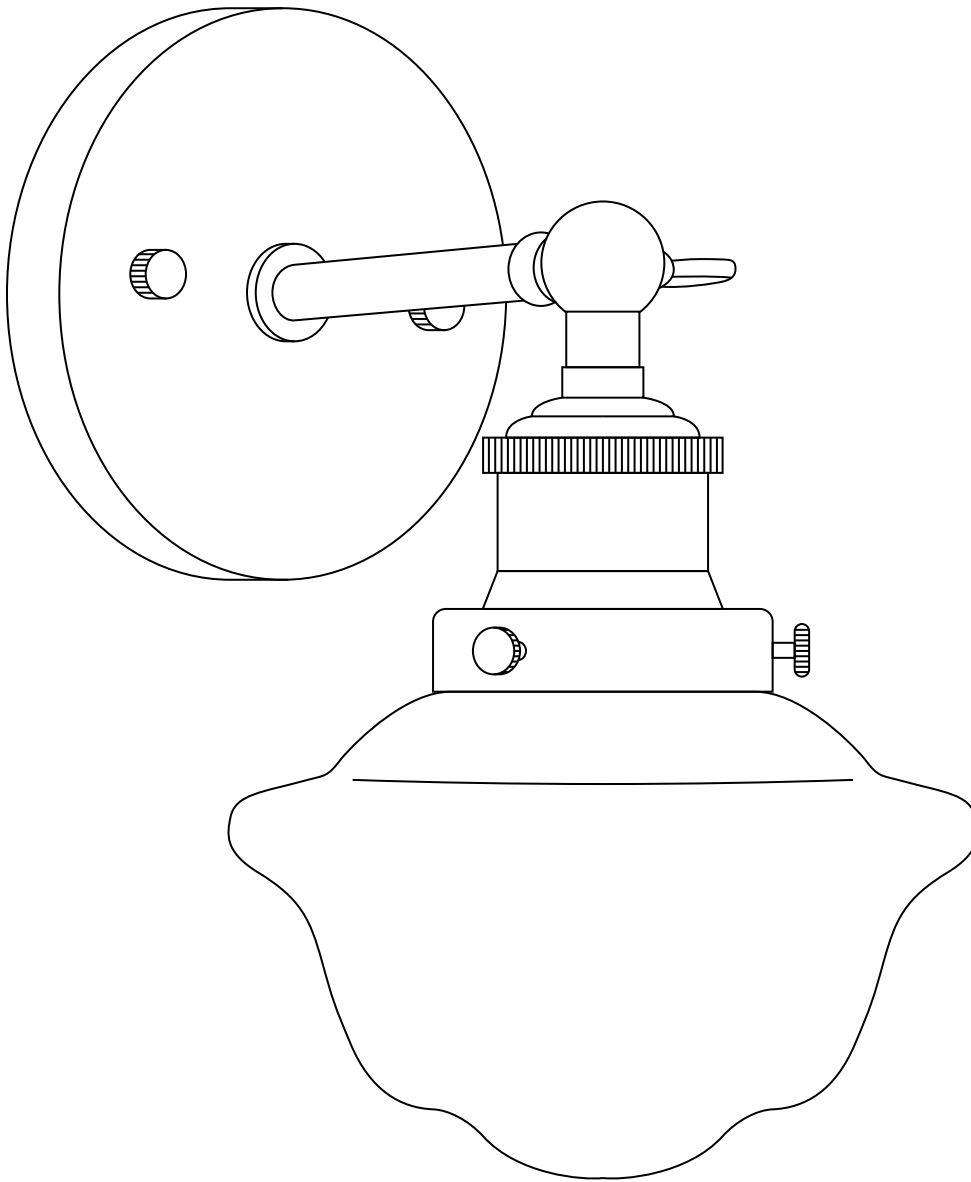


LINEA ■ LIGHTING

LAVAGNA INDUSTRIAL 1 LIGHT BATHROOM VANITY LIGHT LL-WL271

ASSEMBLY INSTRUCTIONS

REMOVE ALL PARTS FROM PACKAGE, BE CAREFUL NOT
TO DAMAGE ANY COMPONENTS.



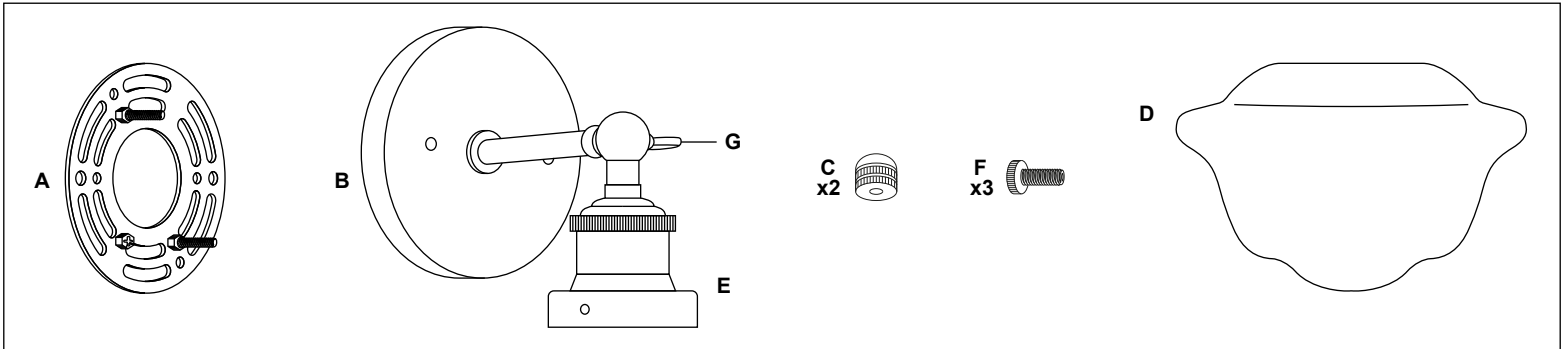
PROFESSIONAL INSTALLATION RECOMMENDED

LINEA ■ LIGHTING

LAVAGNA INDUSTRIAL 1 LIGHT BATHROOM VANITY LIGHT

LL-WL271

REMOVE ALL PARTS FROM PACKAGE, BE CAREFUL NOT TO DAMAGE ANY COMPONENTS.



1. Measure area and determine desired mounting height.

2. Detach mounting plate [A] from backplate [B].

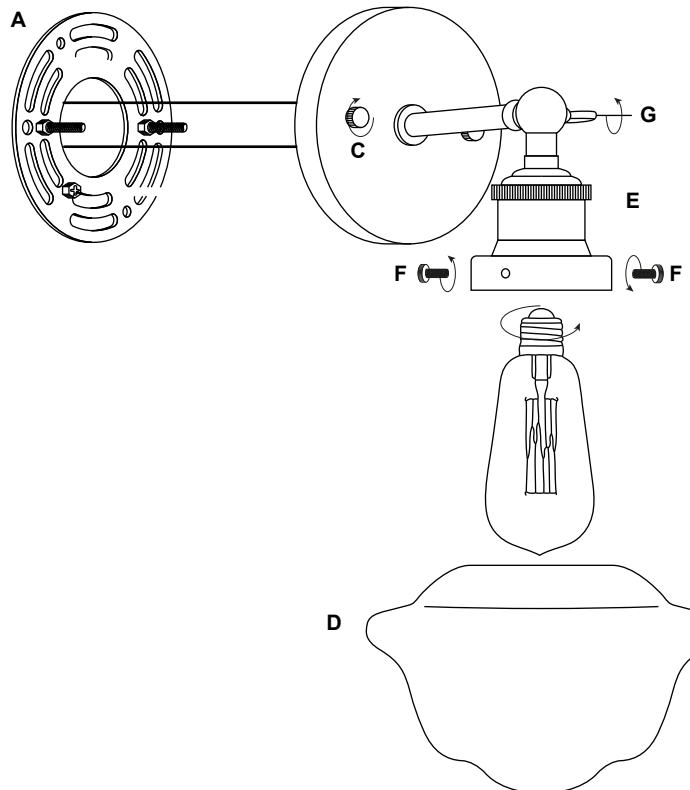
3. Mounting plate [A] will attach to junction box.

4. Install light to wall. Linea Lighting recommends installation by a qualified electrical professional. Backplate nuts [C] are used to tighten light to wall.

5. Install bulb (included).

6. Install the glass shade [D] onto socket [E] and tighten by using glass screws [F].

7. To change orientation - wing screw [G] may be loosened and re-tightened after positioning



Note: Turn off switch before replacing the bulb. Make sure the bulb has sufficient time to cool down. Do not subject the lamp to any shock while lit as shattering of glass shade may result.