

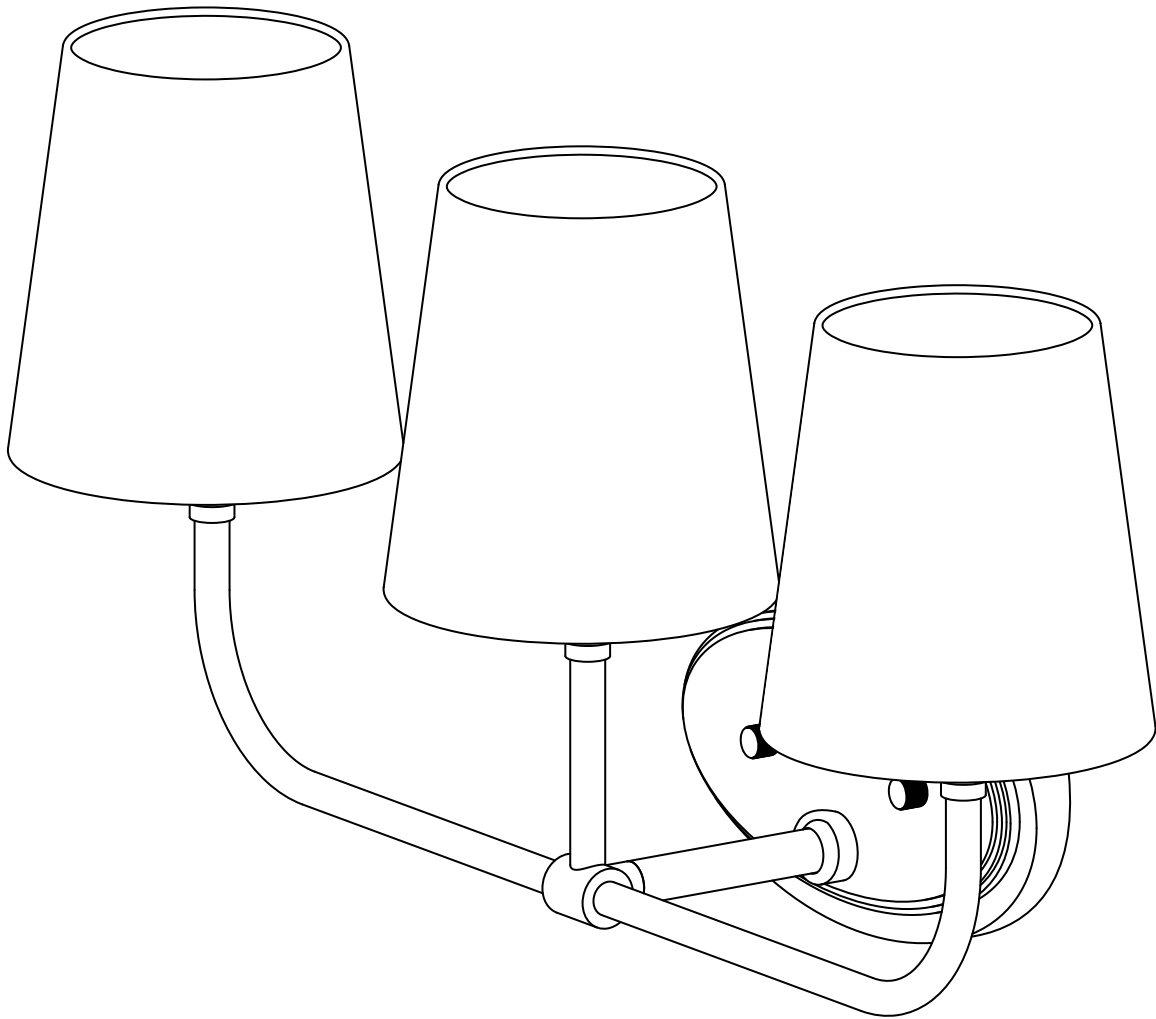
# LINEA ■ LIGHTING

---

## 3 Light Vanity Light LL-WL215

### ASSEMBLY INSTRUCTIONS

REMOVE ALL PARTS FROM PACKAGE, BE CAREFUL NOT  
TO DAMAGE ANY COMPONENTS.



---

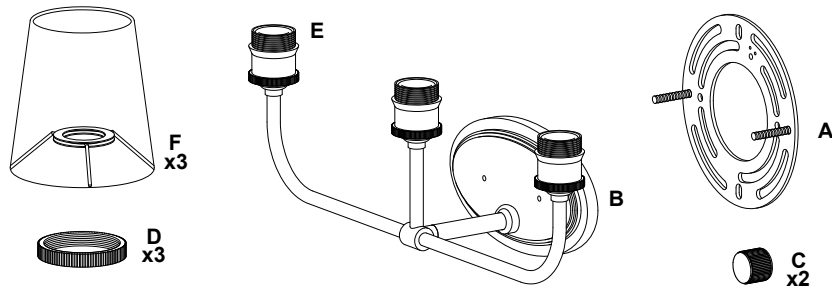
PROFESSIONAL INSTALLATION RECOMMENDED

# LINEA ■ LIGHTING

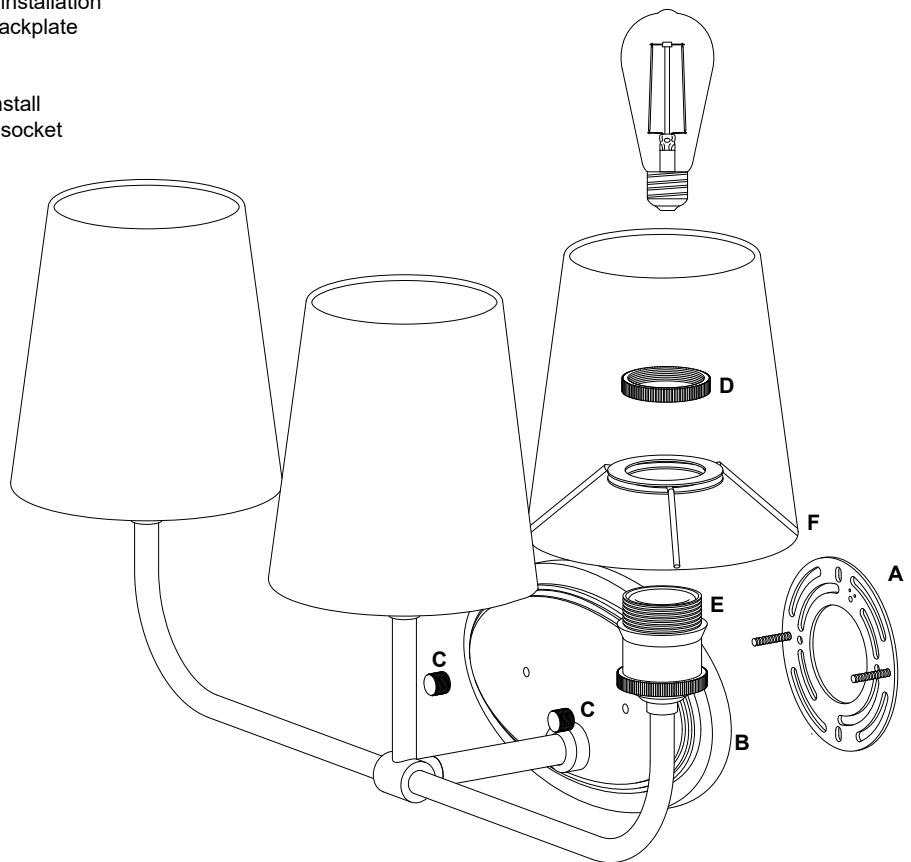
## 3 Light Vanity Light

LL-WL215

REMOVE ALL PARTS FROM PACKAGE, BE CAREFUL NOT TO DAMAGE ANY COMPONENTS.



1. Measure area and determine desired mounting height.
2. Detach mounting plate [A] from backplate [B] by removing backplate nuts [C].
3. Mounting plate [A] will attach to junction box.
4. Install light to wall. Linea Lighting recommends installation by a qualified electrical professional. Replace backplate nuts [C] to secure light to the wall.
5. Remove socket ring(s) [D] from socket(s) [E]. Install shade(s) [F] onto socket(s) [E] and secure with socket ring(s) [D].
6. Install bulb(s) 60W max.



Note: Turn off switch before replacing the bulb. Make sure the bulb has sufficient time to cool down. Do not subject the lamp to any shock while lit as shattering of glass shade may result.