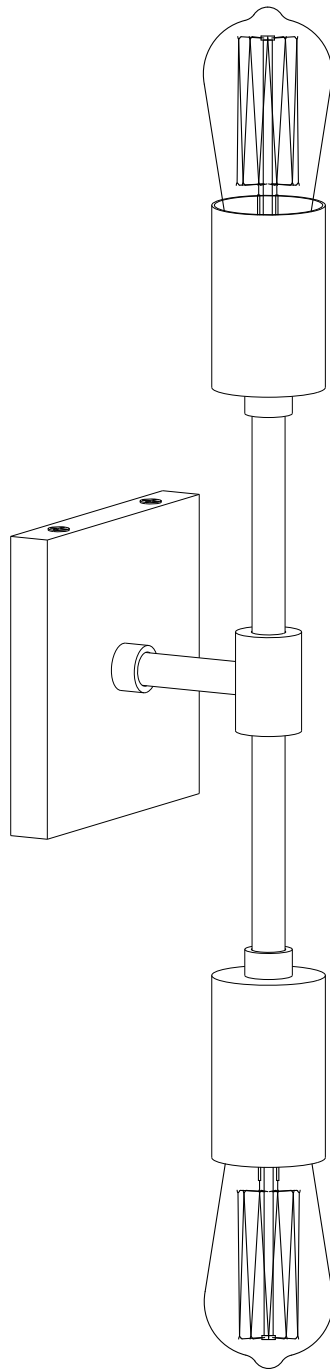


LINEA ■ LIGHTING

2 Light Wall Sconce LL-WL149

ASSEMBLY INSTRUCTIONS

REMOVE ALL PARTS FROM PACKAGE, BE CAREFUL NOT
TO DAMAGE ANY COMPONENTS.

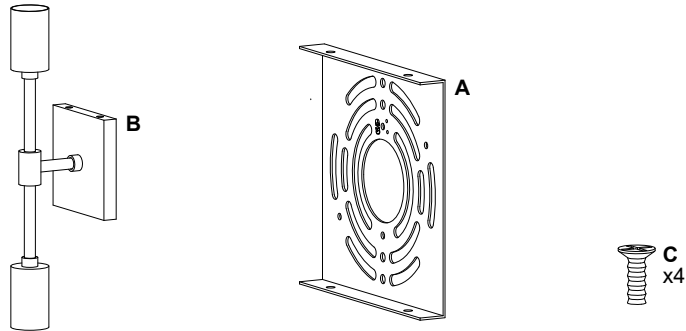


PROFESSIONAL INSTALLATION RECOMMENDED

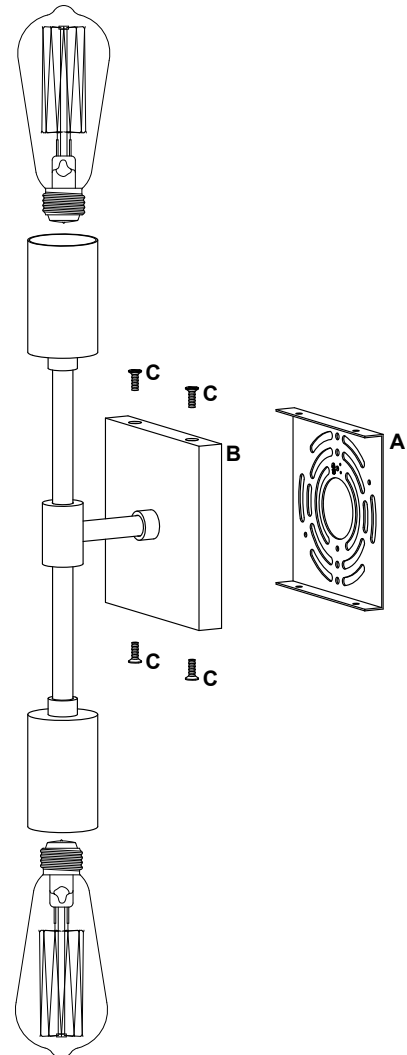
LINEA ■ LIGHTING

2 Light Wall Sconce LL-WL149

REMOVE ALL PARTS FROM PACKAGE, BE CAREFUL NOT TO DAMAGE ANY COMPONENTS.



1. Measure area and determine desired mounting height.
2. Detach mounting plate [A] from backplate [B] by removing backplate screws [C].
3. Mounting plate [A] will attach to junction box.
4. Install light to wall. Linea Lighting recommends installation by a qualified electrical professional. Secure light to wall by replacing backplate screws [C].
5. Install bulb 60W max (included).



Note: Turn off switch before replacing the bulb. Make sure the bulb has sufficient time to cool down. Do not subject the lamp to any shock while lit as shattering of glass shade may result.