

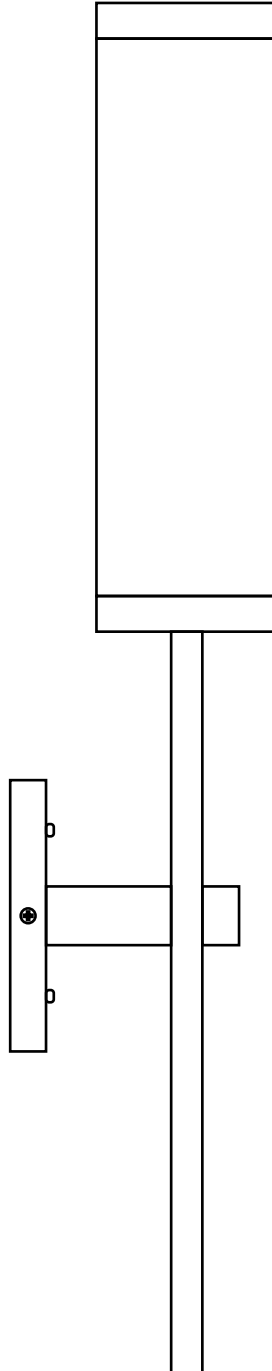
# LINEA ■ LIGHTING

---

## PRESTO WALL SCONCE LL-WL111

### ASSEMBLY INSTRUCTIONS

REMOVE ALL PARTS FROM PACKAGE, BE CAREFUL NOT  
TO DAMAGE ANY COMPONENTS.



---

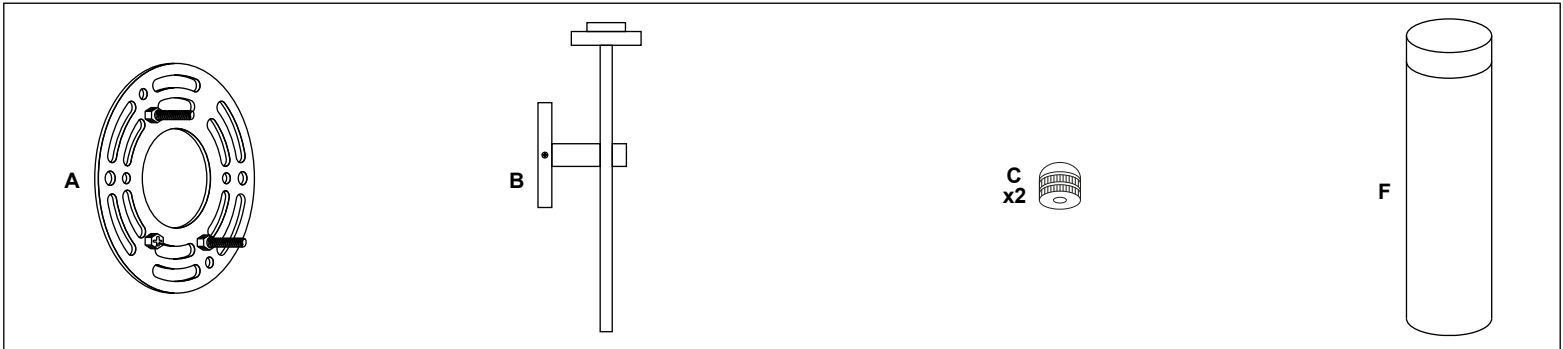
PROFESSIONAL INSTALLATION RECOMMENDED

# LINEA ■ LIGHTING

## PRESTO WALL SCONCE

LL-WL111

REMOVE ALL PARTS FROM PACKAGE, BE CAREFUL NOT TO DAMAGE ANY COMPONENTS.



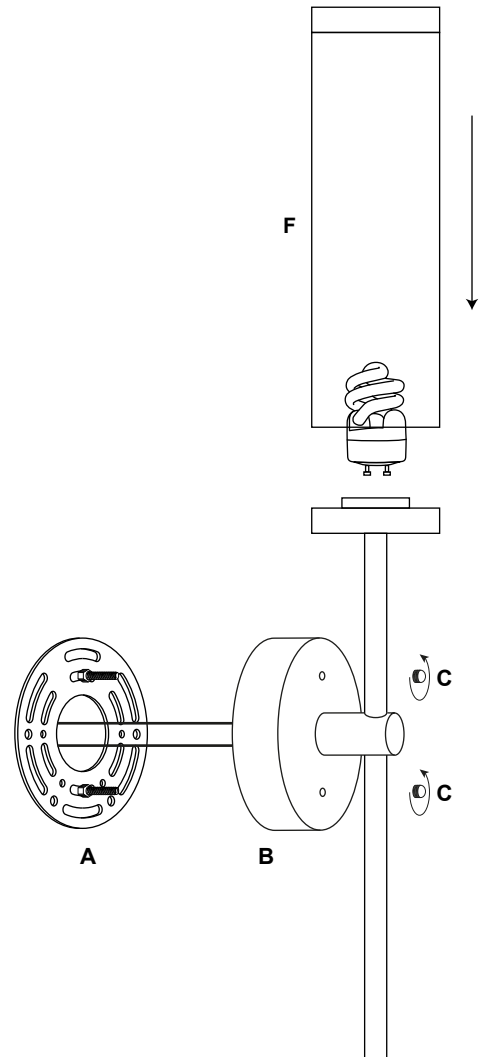
1. Measure area and determine desired mounting height.

2. Detach mounting plate [A] from backplate [B] by removing backplate nuts [C].

3. Mounting plate [A] will attach to junction box.

4. Install light to wall. Linea Lighting recommends installation by a qualified electrical professional. Reattach backplate [B] to mounting plate [A] using backplate nuts [C].

5. Install 13W GU24 base bulb (not included). Place non-banded side of shade [F] onto socket part [B], aligning notches with metal tabs. Tighten by twisting shade until secure.



Note: Turn off switch before replacing the bulb. Make sure the bulb has sufficient time to cool down. Do not subject the lamp to any shock while lit as shattering of glass shade may result.