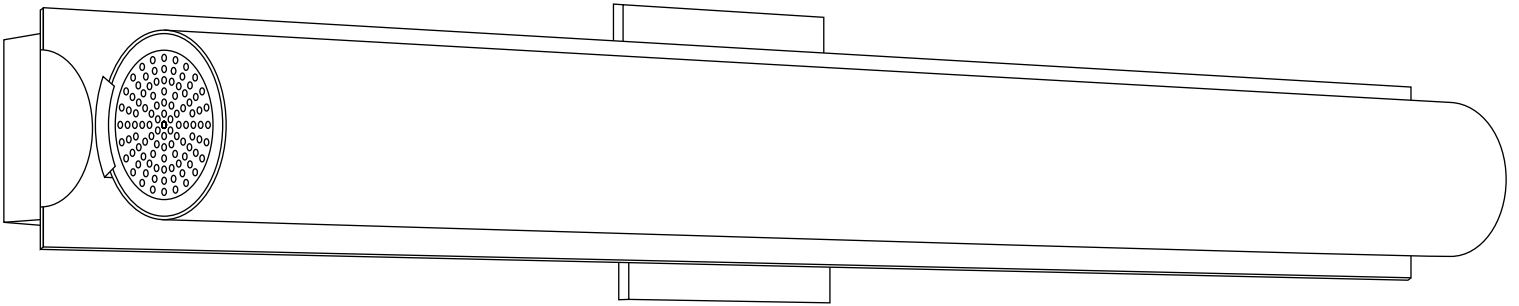


LINEA ■ LIGHTING

PORTICO LED VANITY FIXTURE LL-SC86BN-24 / LL-SC86BN-30 / LL-SC86BN-42

ASSEMBLY INSTRUCTIONS

REMOVE ALL PARTS FROM PACKAGE, BE CAREFUL NOT
TO DAMAGE ANY COMPONENTS.



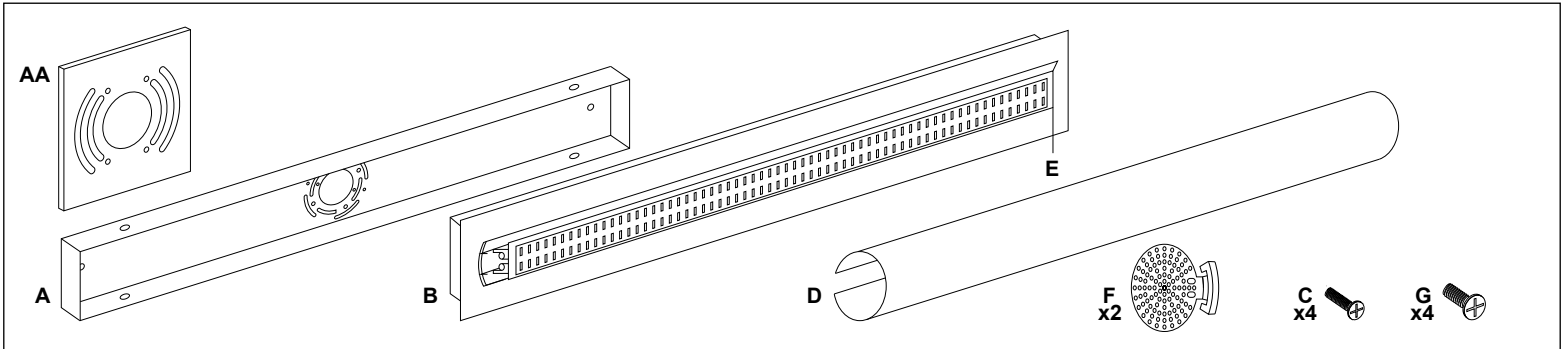
PROFESSIONAL INSTALLATION RECOMMENDED

LINEA ■ LIGHTING

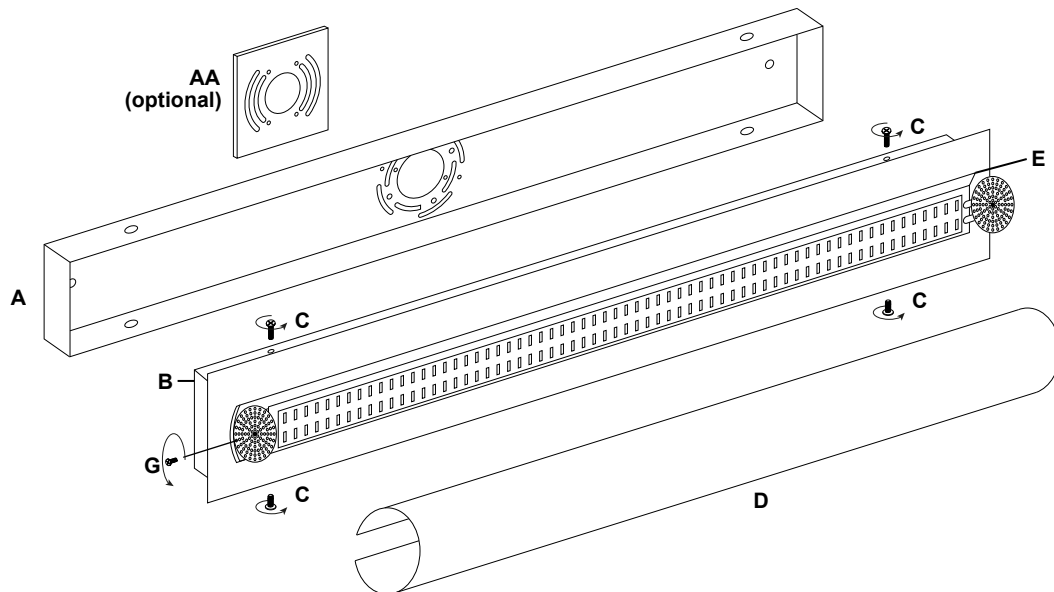
PORTICO LED VANITY FIXTURE

LL-SC86BN-24 / LL-SC86BN-30 / LL-SC86BN-42

REMOVE ALL PARTS FROM PACKAGE, BE CAREFUL NOT TO DAMAGE ANY COMPONENTS.



1. Measure area and determine desired hanging height.
2. Detach mounting plate [A] from backplate [B] by removing backplate screws [C]
3. Mounting plate [A] will attach to junction box. Mounting plate [A] is designed for a 2' junction box. Additional mounting plate [AA] may be used for 4' junction boxes.
4. Remove end cap screws [G] from ends of integrated LED light strip [E].
5. Slide shade [D] over integrated LED light strip [E], notch side facing backplate [B].
6. Position end cap [F] so holes are aligned with screw holes on backplate.. Secure with end cap screws [G]. Repeat on other side.
7. Install light to wall. Linea Lighting recommends installation by a qualified electrical professional. Reattach backplate [B] to mounting plate [A] using backplate screws [C].



Note: Do not subject the lamp to any shock while lit as shattering of glass shade may result.