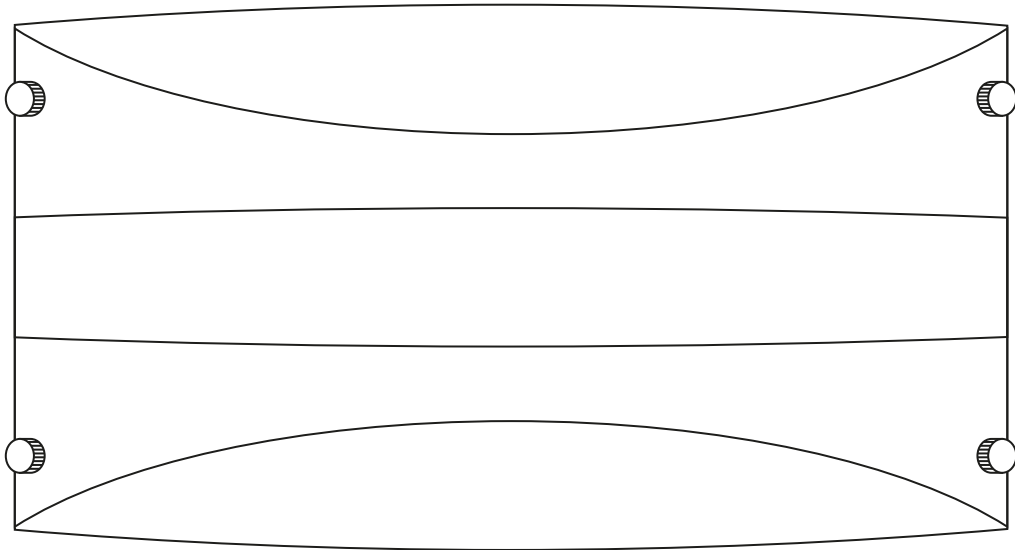


LINEA ■ LIGHTING

ACCIAIO WALL SCONCE LL-SC6

ASSEMBLY INSTRUCTIONS

REMOVE ALL PARTS FROM PACKAGE, BE CAREFUL NOT
TO DAMAGE ANY COMPONENTS.



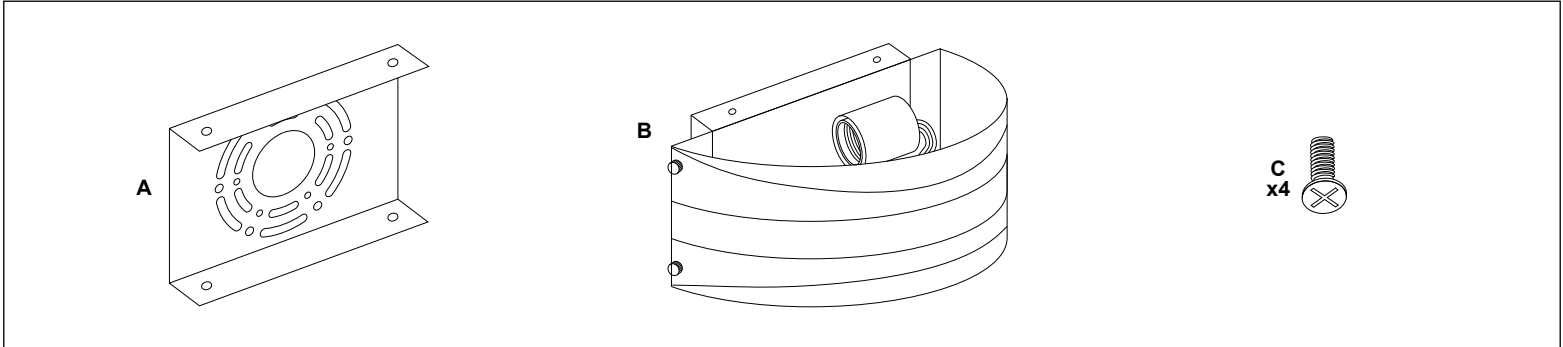
PROFESSIONAL INSTALLATION RECOMMENDED

LINEA ■ LIGHTING

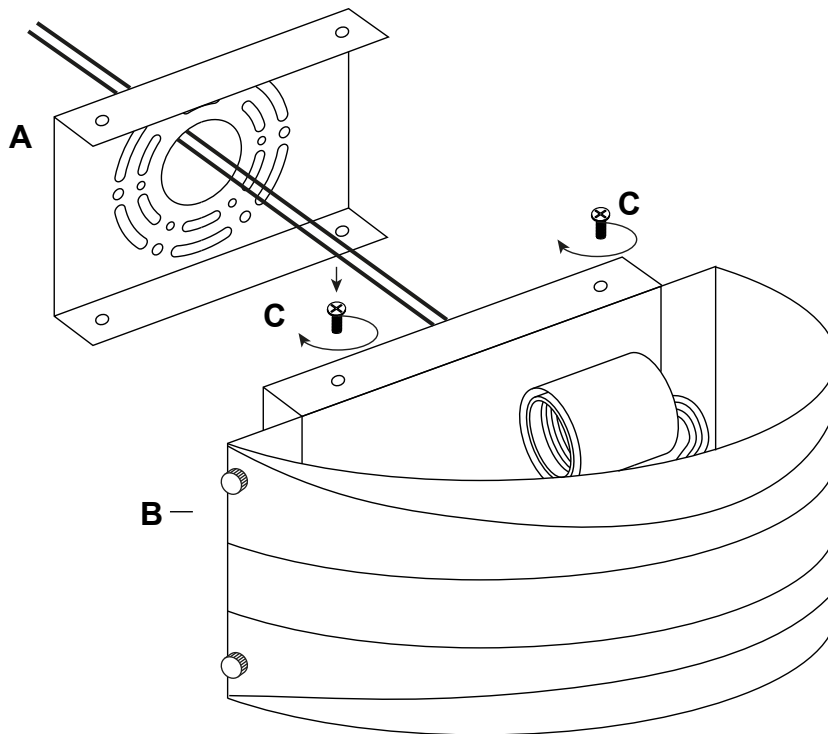
ACCIAIO WALL SCONCE

LL-SC6

REMOVE ALL PARTS FROM PACKAGE, BE CAREFUL NOT TO DAMAGE ANY COMPONENTS.



1. Measure area and determine desired hanging height.
2. Detach mounting plate [A] from fixture [B].
3. Mounting plate [A] will attach to junction box.
4. Install light to wall. Linea Lighting recommends installation by a qualified electrical professional. Backplate screws [C] are used to tighten light to wall.
5. Install light bulb 60W max (not included).



Note: Turn off switch before replacing the bulb. Make sure the bulb has sufficient time to cool down.
Do not subject the lamp to any shock while lit as shattering of glass shade may result.