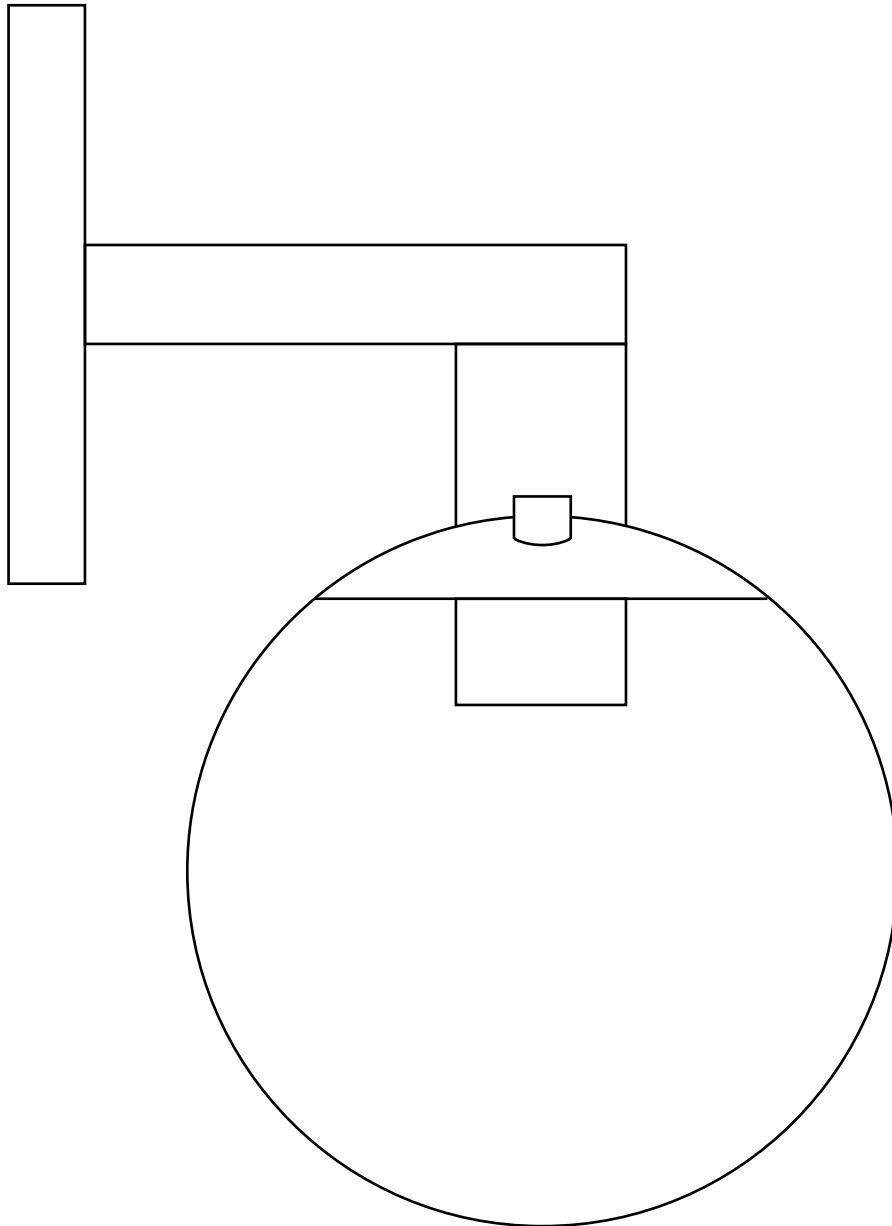


LINEA ■ LIGHTING

SFERRA WALL SCONCE LL-SC225

ASSEMBLY INSTRUCTIONS

REMOVE ALL PARTS FROM PACKAGE, BE CAREFUL NOT
TO DAMAGE ANY COMPONENTS.



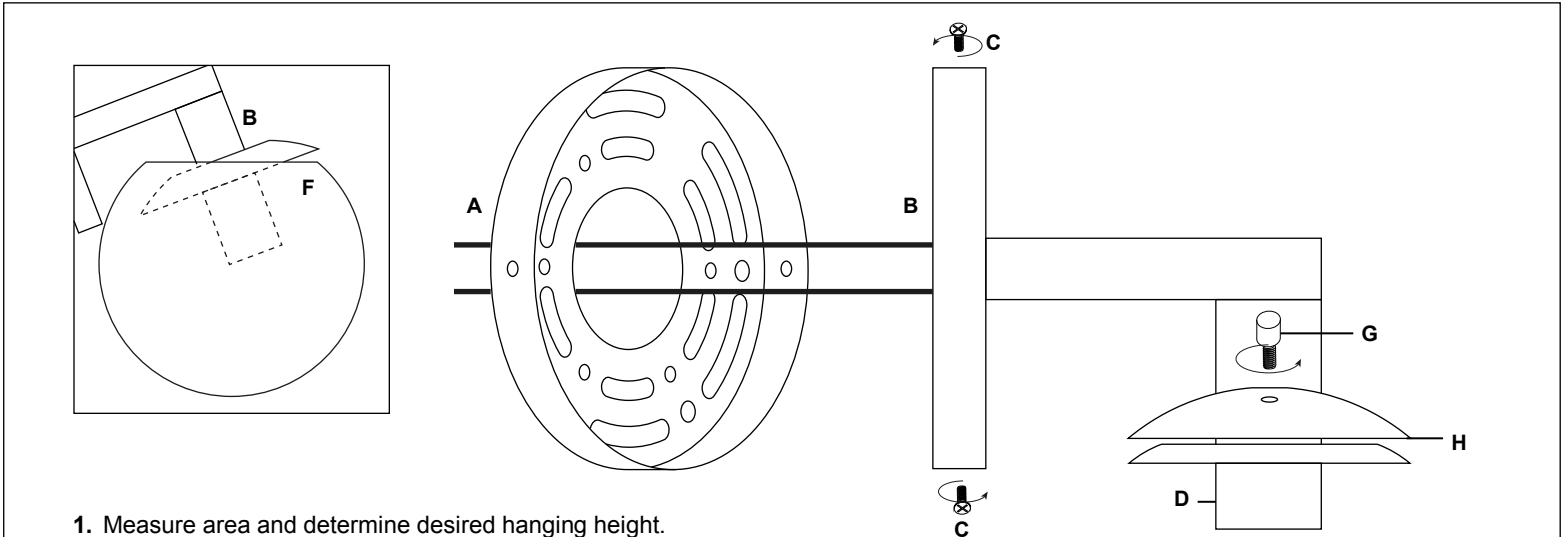
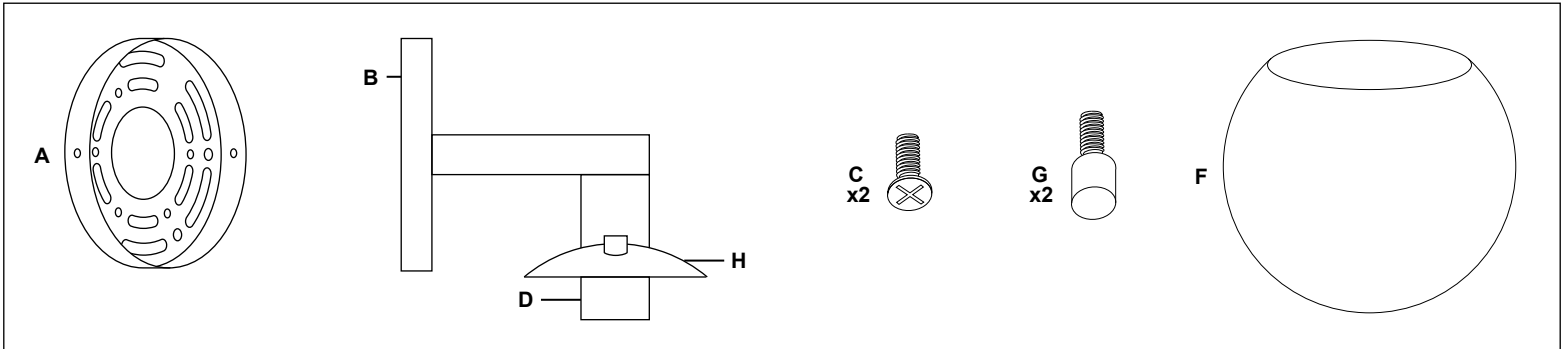
PROFESSIONAL INSTALLATION RECOMMENDED

LINEA ■ LIGHTING

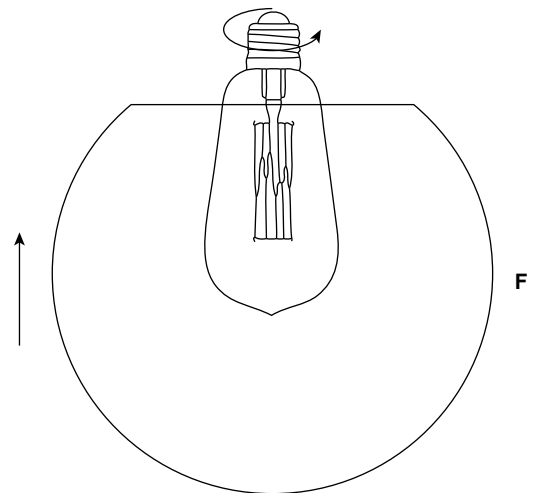
SFERRA WALL SCONCE

LL-SC225

REMOVE ALL PARTS FROM PACKAGE, BE CAREFUL NOT TO DAMAGE ANY COMPONENTS.



1. Measure area and determine desired hanging height.
2. Detach mounting plate [A] from backplate [B] by removing backplate screws [C].
3. Mounting plate [A] will attach to junction box.
4. Install light to wall. Linea Lighting recommends installation by a qualified electrical professional. Reattach backplate [B] to mounting plate [A] using backplate screws [C].
5. Install included bulb into socket [D]. Slide socket [D] into glass shade [F]. Metal socket top will be inside glass shade [F].
6. Lower socket cover [H] over top of glass shade [F]. Tighten by using socket cover screws [G].



Note: Turn off switch before replacing the bulb. Make sure the bulb has sufficient time to cool down. Do not subject the lamp to any shock while lit as shattering of glass shade may result.