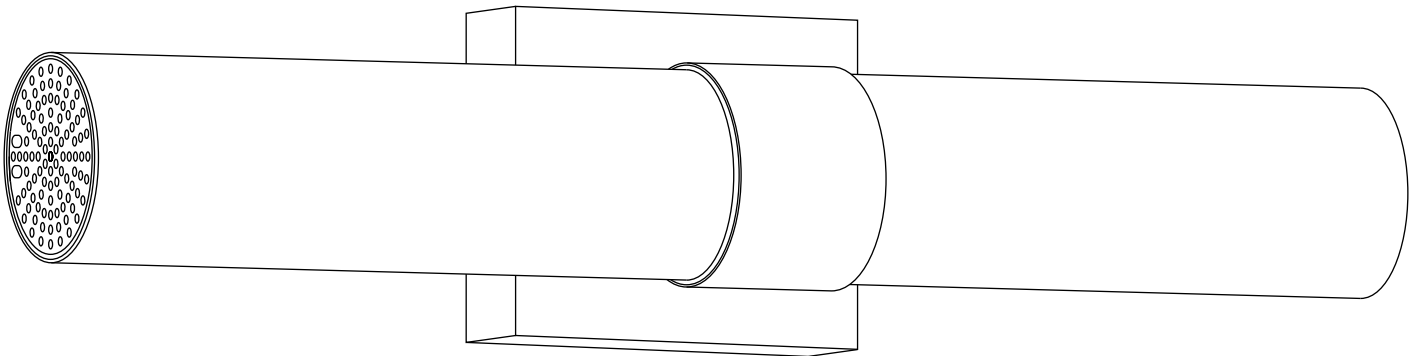


LINEA ■ LIGHTING

LED VANITY FIXTURE LL-SC1042 / LL-SC1043 / LL-SC1044

ASSEMBLY INSTRUCTIONS

REMOVE ALL PARTS FROM PACKAGE, BE CAREFUL NOT
TO DAMAGE ANY COMPONENTS.



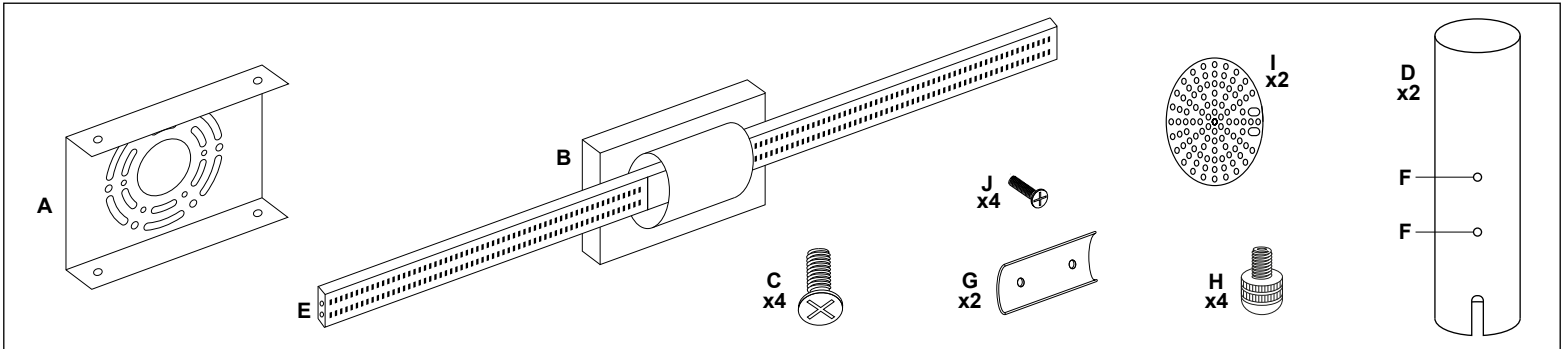
PROFESSIONAL INSTALLATION RECOMMENDED

LINEA ■ LIGHTING

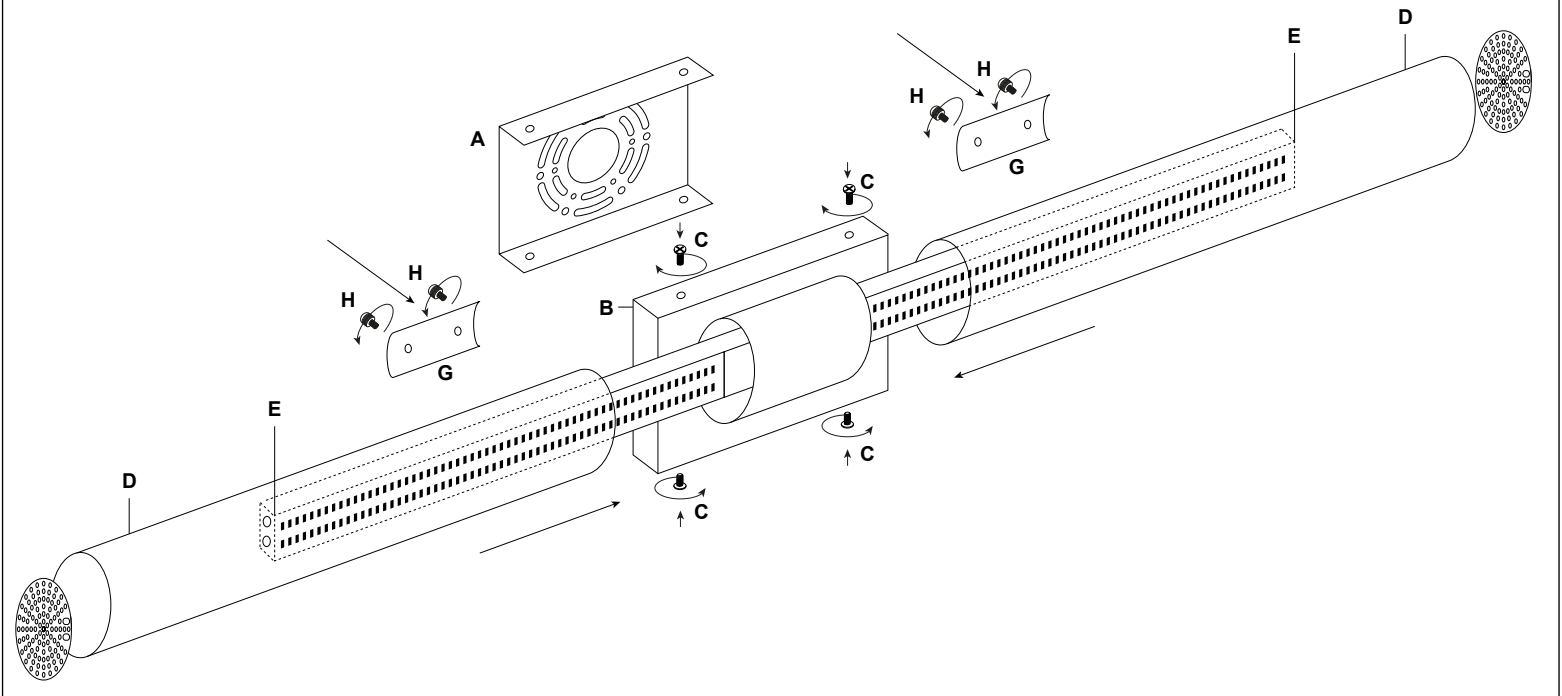
LED VANITY FIXTURE

LL-SC1042 / LL-SC1043 / LL-SC1044

REMOVE ALL PARTS FROM PACKAGE, BE CAREFUL NOT TO DAMAGE ANY COMPONENTS.



1. Measure area and determine desired hanging height.
2. Detach mounting plate [A] from backplate [B] by removing backplate screws [C].
3. Mounting plate [A] will attach to junction box.
4. Place shade [D] over integrated LED light strip [E], notch side facing backplate [B]. Position shade [D] so shade holes [F] are aligned with holes on back of LED light strip [E].
5. Position finishing plate [G] over aligned holes and secure with finishing screws [H].
6. Position end cap [I] so that the holes are aligned with screw holes on end of light strip [E]. Secure with end cap screws [J]. Repeat on other side.
7. Repeat steps 4, 5, and 6 on other side.
8. Install light to wall. Linea Lighting recommends installation by a qualified electrical professional. Reattach backplate [B] to mounting plate [A] using backplate screws [C].



Note: Do not subject the lamp to any shock while lit as shattering of glass shade may result.