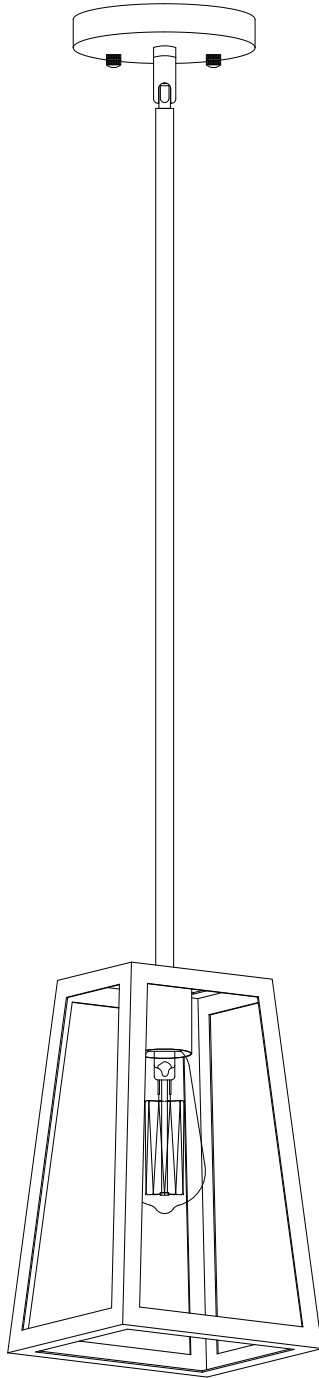


LINEA ■ LIGHTING

Ferramo Industrial Pendant Light LL-P731

ASSEMBLY INSTRUCTIONS

REMOVE ALL PARTS FROM PACKAGE, BE CAREFUL NOT
TO DAMAGE ANY COMPONENTS.



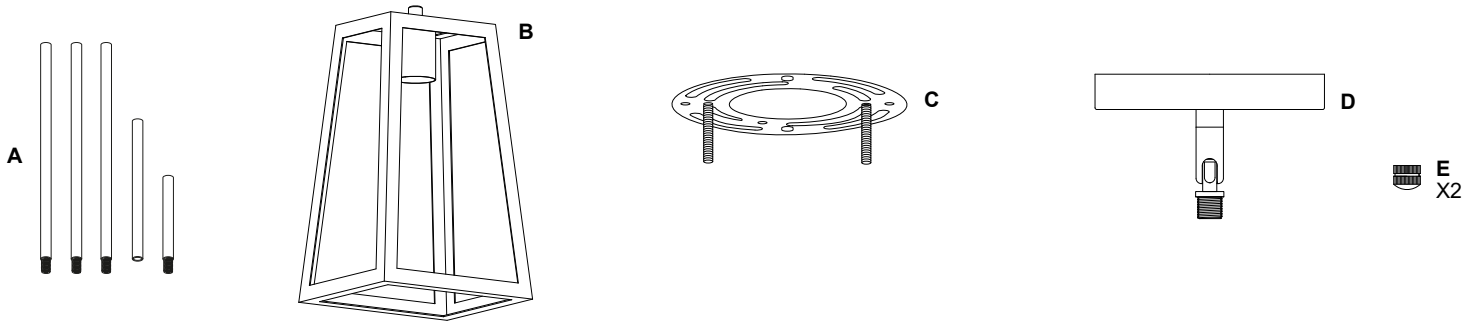
PROFESSIONAL INSTALLATION RECOMMENDED

LINEA ■ LIGHTING

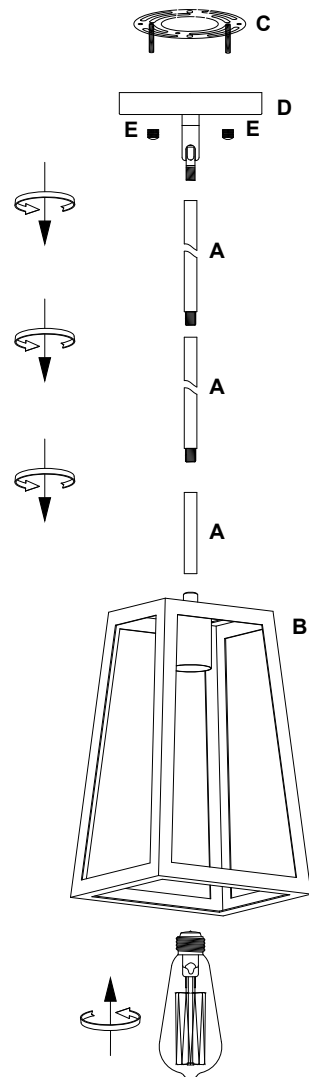
Ferramo Industrial Pendant Light

LL-P731

REMOVE ALL PARTS FROM PACKAGE, BE CAREFUL NOT TO DAMAGE ANY COMPONENTS.



1. Measure area and determine desired hanging height.
2. Product comes with three (3) 12 inch, one (1) 8 inch and one (1) 4 inch hard stems [A] for adjustable hanging height. Determine the stems you will use to achieve desired height (Threads are removable from the stems and thread removal may make it easier to thread wire).
3. Thread wire from socket [B] through first stem [A]. Continue to add stems, threading the wire and screwing each stem together. Repeat as necessary to achieve desired hanging height.
4. Detach mounting plate [C] from canopy [D] by removing canopy nuts [E].
5. Mounting plate [C] will attach to ceiling junction box.
6. Install light to ceiling. Linea Lighting recommends installation by a qualified electrical professional. Secure fixture by reattaching canopy nuts [E] through canopy [D] to mounting plate [C].
7. Install bulb 60W max.



Note: Turn off switch before replacing the bulb. Make sure the bulb has sufficient time to cool down. Do not subject the lamp to any shock while lit as shattering of glass shade may result.