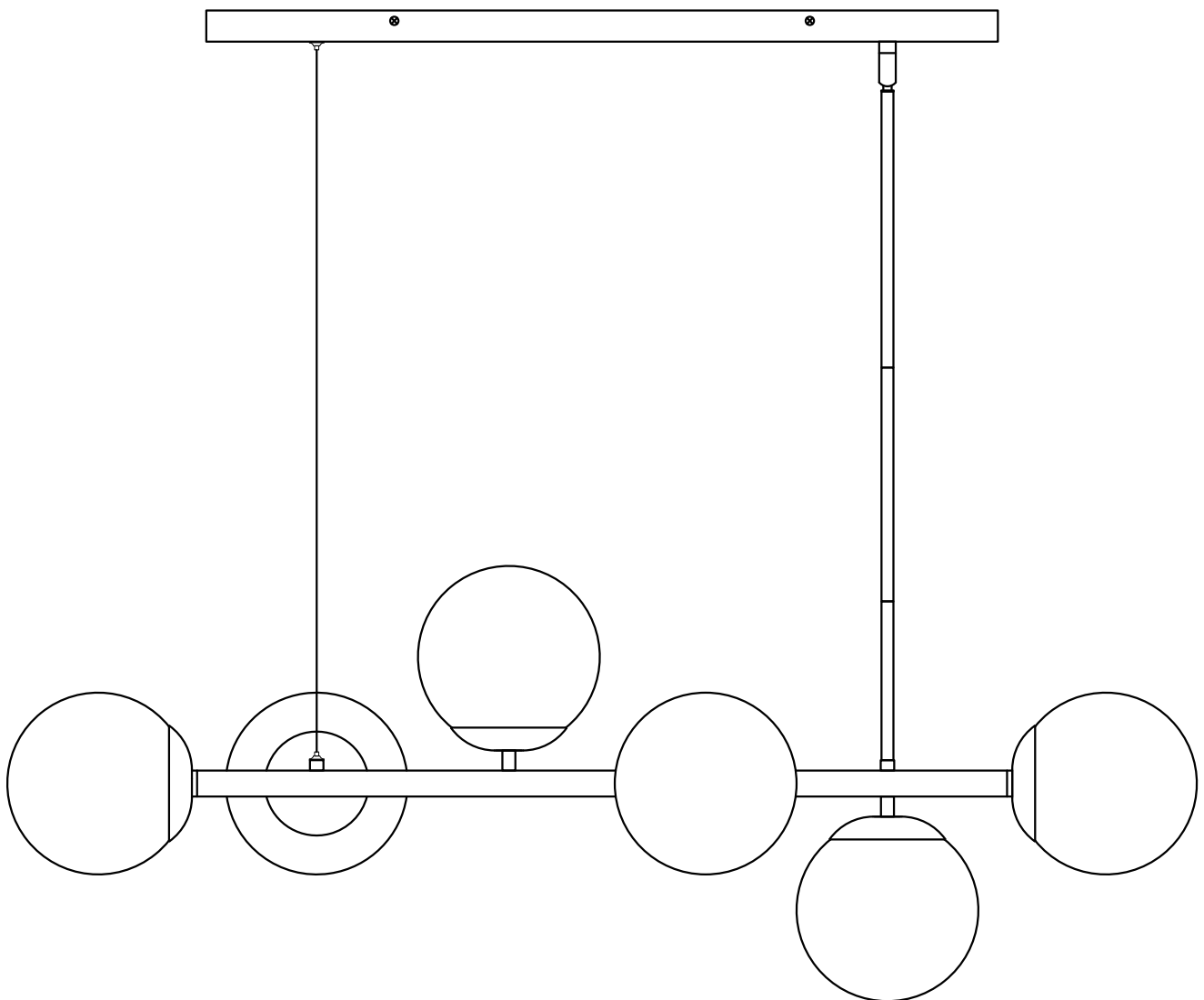


LINEA ■ LIGHTING

6 Light Pendant Light LL-P672

ASSEMBLY INSTRUCTIONS

REMOVE ALL PARTS FROM PACKAGE, BE CAREFUL NOT
TO DAMAGE ANY COMPONENTS.



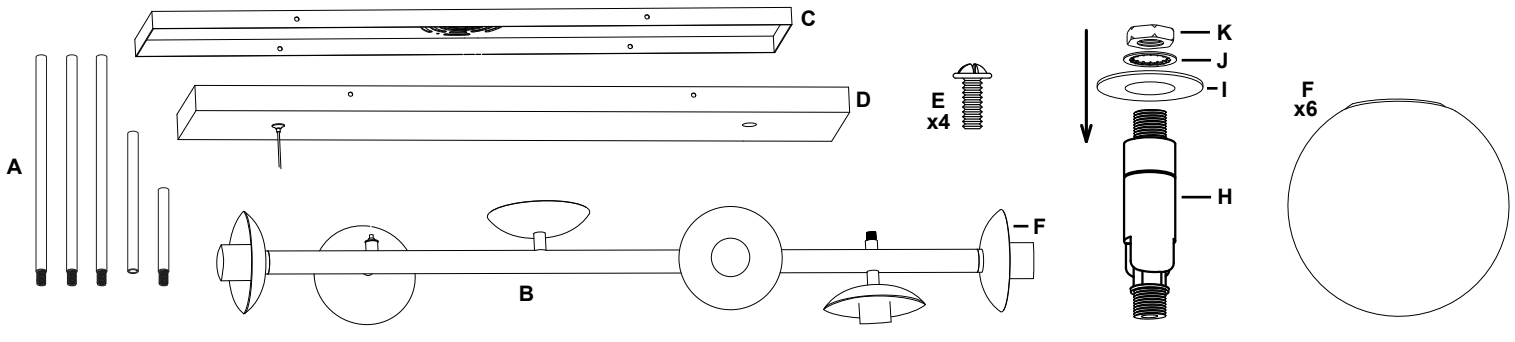
PROFESSIONAL INSTALLATION RECOMMENDED

LINEA ■ LIGHTING

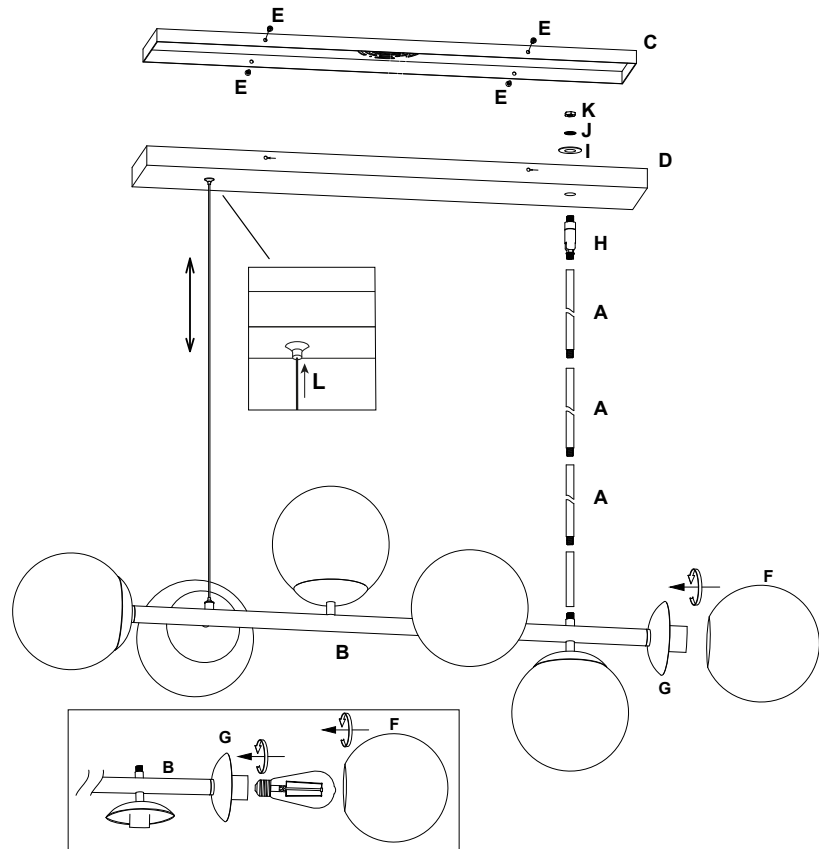
6 Light Pendant Light

LL-P672

REMOVE ALL PARTS FROM PACKAGE, BE CAREFUL NOT TO DAMAGE ANY COMPONENTS.



1. Measure area and determine desired hanging height.
2. Product comes with three (3) 12 inch, one (1) 8 inch and one (1) 4 inch hard stems [A] for adjustable hanging height. Determine the stems you will use to achieve desired height. (Threads are removable from the stems and thread removal may make it easier to thread wire).
3. Thread wire from frame stem [B] through the first stem [A]. Continue to add stems on that side, threading the wire and screwing each stem together and repeat as necessary to achieve desired hanging height.
4. On the other end of the frame stem feed the support wire into the canopy (To lengthen support wires compress neck [L] into canopy and pull wire out).
5. Detach mounting plate [C] from canopy [D] by removing canopy screws [E].
6. Locate canopy stem connector [H]. Remove nut [K], washer [J] and washer [I] from connector.
7. Screw the finished side of the canopy stem connector [H] into stem assembly, threading wire through the connector.
8. Thread wire through canopy [D]. Place canopy hole over stem assembly thread. Place washer [I], then washer [J] over thread. Secure with nut [K]. (Be sure to thread wire through washers and nut).
9. Mounting plate [C] will attach to ceiling junction box.
10. Install light to ceiling. Linea Lighting recommends installation by a qualified electrical professional. Secure fixture by reattaching canopy screws [E] through canopy [D] to mounting plate [C].
11. Install bulb(s) 60W max (not included).
12. Secure shade(s) [F] by screwing onto socket cover(s) [G].



Note: Turn off switch before replacing the bulb. Make sure the bulb has sufficient time to cool down. Do not subject the lamp to any shock while lit as shattering of glass shade may result.