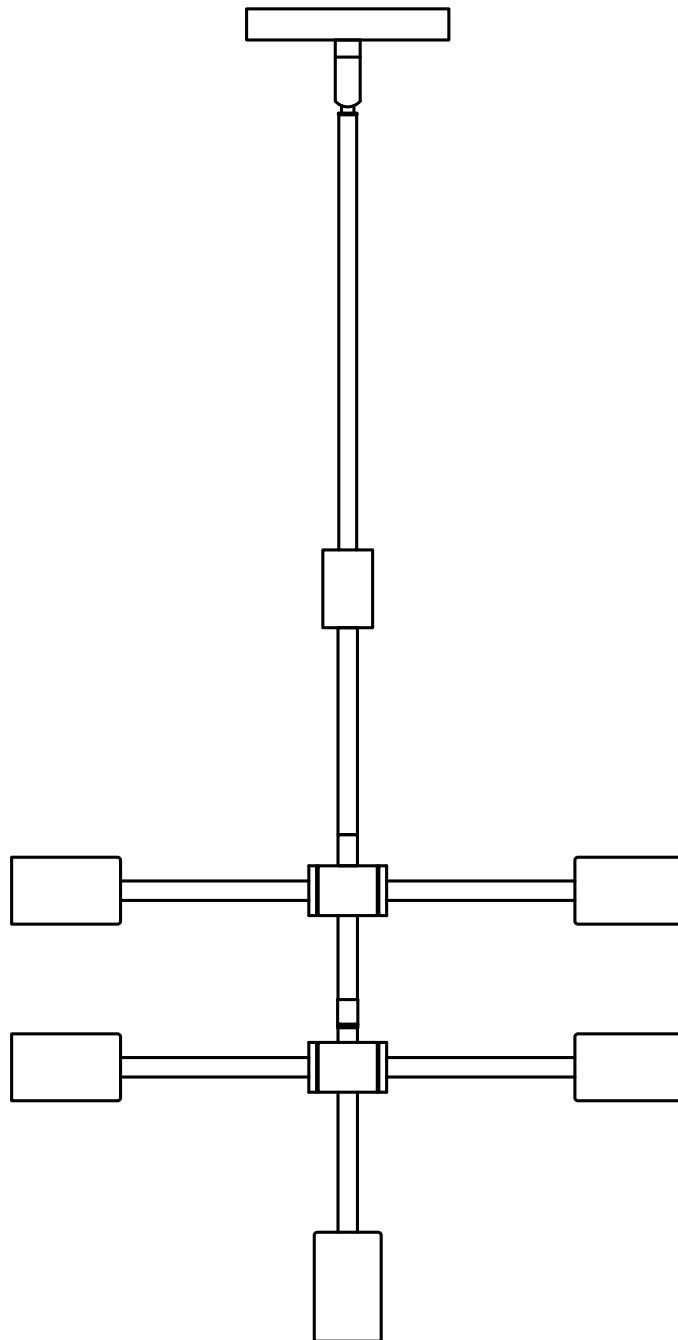


LINEA ■ LIGHTING

5 Light Sputnik Pendant Light LL-P658

ASSEMBLY INSTRUCTIONS

REMOVE ALL PARTS FROM PACKAGE, BE CAREFUL NOT
TO DAMAGE ANY COMPONENTS.



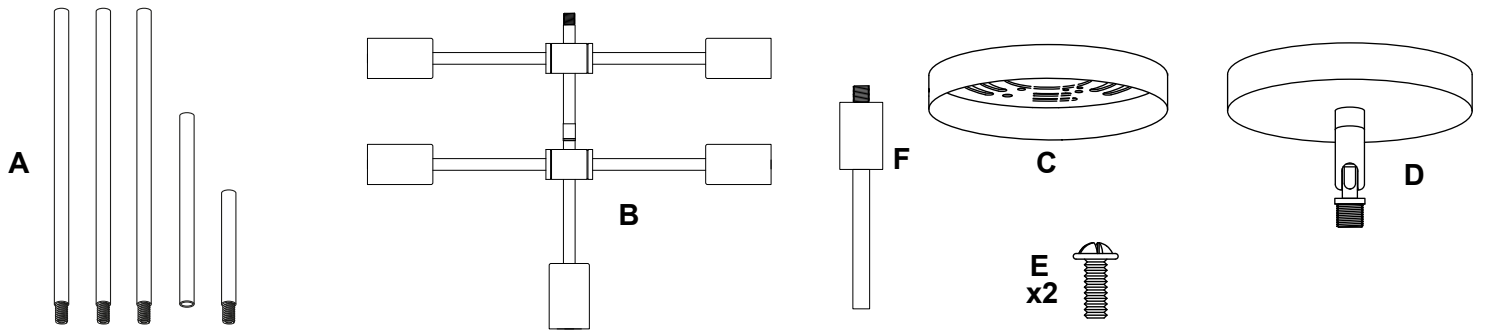
PROFESSIONAL INSTALLATION RECOMMENDED

LINEA ■ LIGHTING

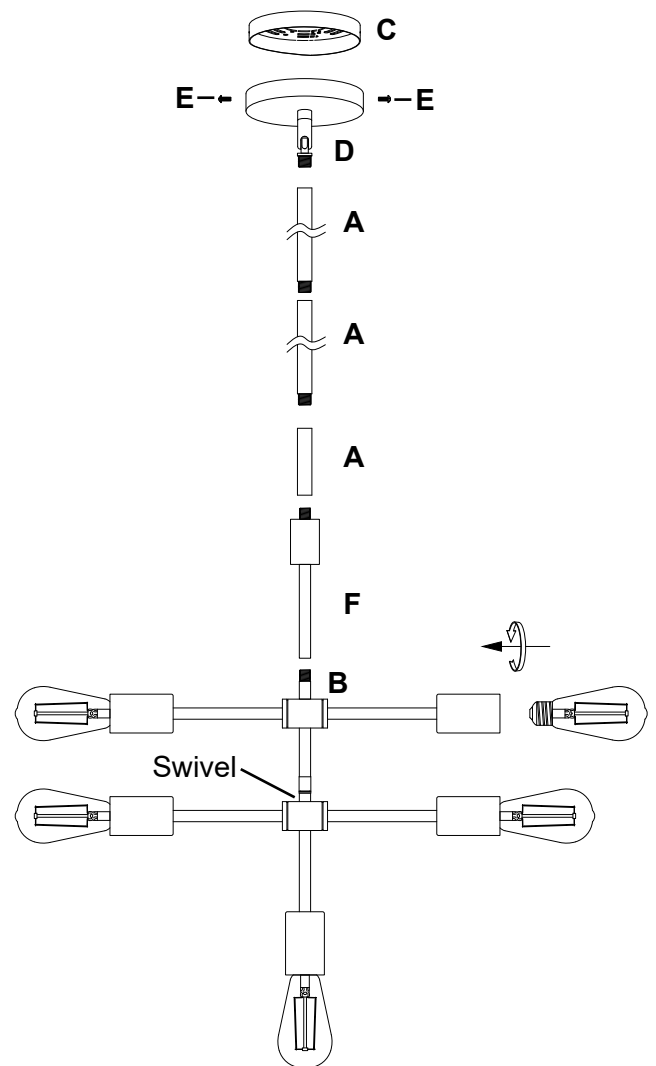
5 Light Sputnik Pendant Light

LL-P658

REMOVE ALL PARTS FROM PACKAGE, BE CAREFUL NOT TO DAMAGE ANY COMPONENTS.



1. Measure area and determine desired hanging height.
2. Product comes with three (3) 12 inch, one (1) 8 inch and one (1) 4 inch hard stems [A] for adjustable hanging height. Determine the stems you will use to achieve desired height (Threads are removable from the stems and thread removal may make it easier to thread wire).
3. Detach mounting plate [C] from canopy [D] by removing canopy screws [E].
4. Mounting plate [C] will attach to ceiling junction box.
5. Install light to ceiling. Linea Lighting recommends installation by a qualified electrical professional. Secure fixture by reattaching canopy screws [E] through canopy [D] to mounting plate [C].
6. Install bulb(s) 60W max (not included).



Note: Turn off switch before replacing the bulb. Make sure the bulb has sufficient time to cool down.
Do not subject the lamp to any shock while lit as shattering of glass shade may result.