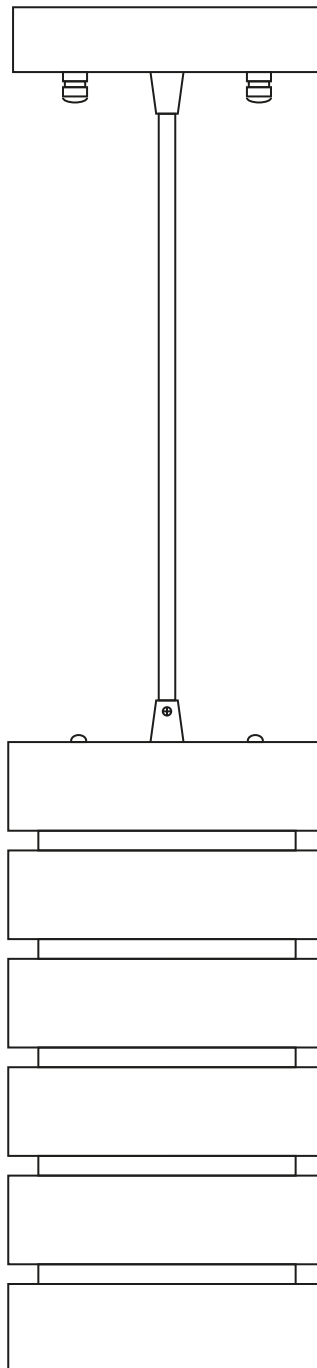


LINEA ■ LIGHTING

MACCHIONE PENDANT LAMP LL-P518

ASSEMBLY INSTRUCTIONS

REMOVE ALL PARTS FROM PACKAGE, BE CAREFUL NOT
TO DAMAGE ANY COMPONENTS.



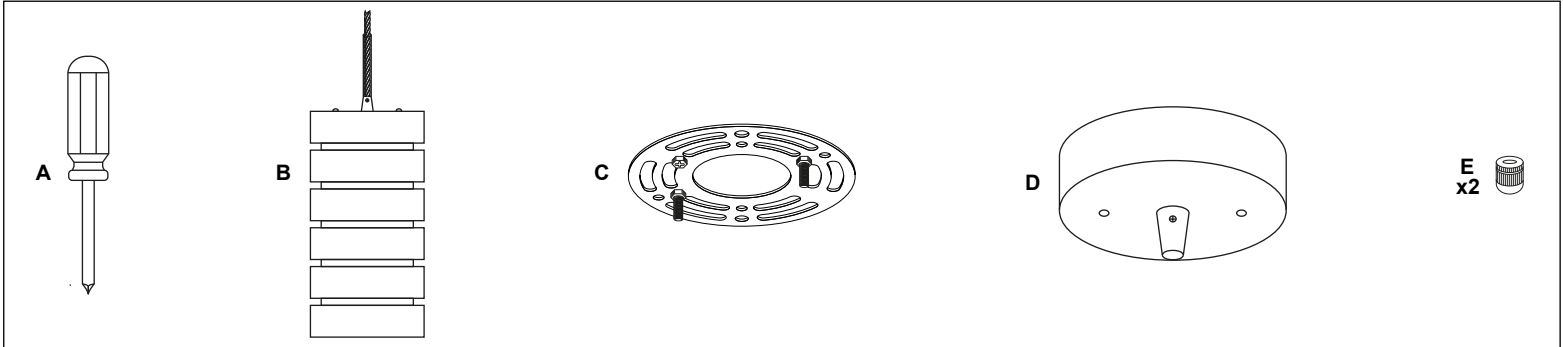
PROFESSIONAL INSTALLATION RECOMMENDED

LINEA ■ LIGHTING

MACCHIONE PENDANT LAMP

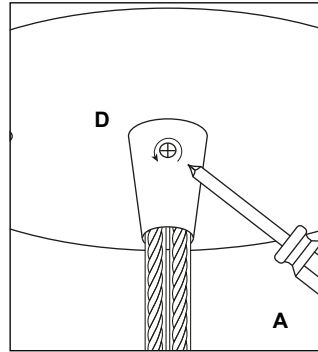
LL-P518

REMOVE ALL PARTS FROM PACKAGE, BE CAREFUL NOT TO DAMAGE ANY COMPONENTS.



1. Measure area and determine desired hanging height.

2. Adjust the length of the cord by loosening the screw on the stem of the canopy with the provided screwdriver [A].
Re-tighten screw after desired cord length is achieved.

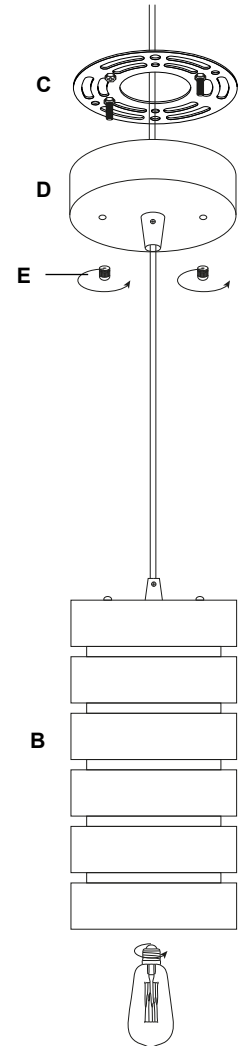


3. Detach mounting plate [C] from canopy [D].

4. Mounting plate [C] will attach to ceiling junction box.

5. Install light to ceiling. Linea Lighting recommends installation by a qualified electrical professional. Canopy nuts [E] are used to tighten light to ceiling.

6. Install bulb 60W max (not included).



Note: Turn off switch before replacing the bulb. Make sure the bulb has sufficient time to cool down.
Do not subject the lamp to any shock while lit as shattering of glass shade may result.