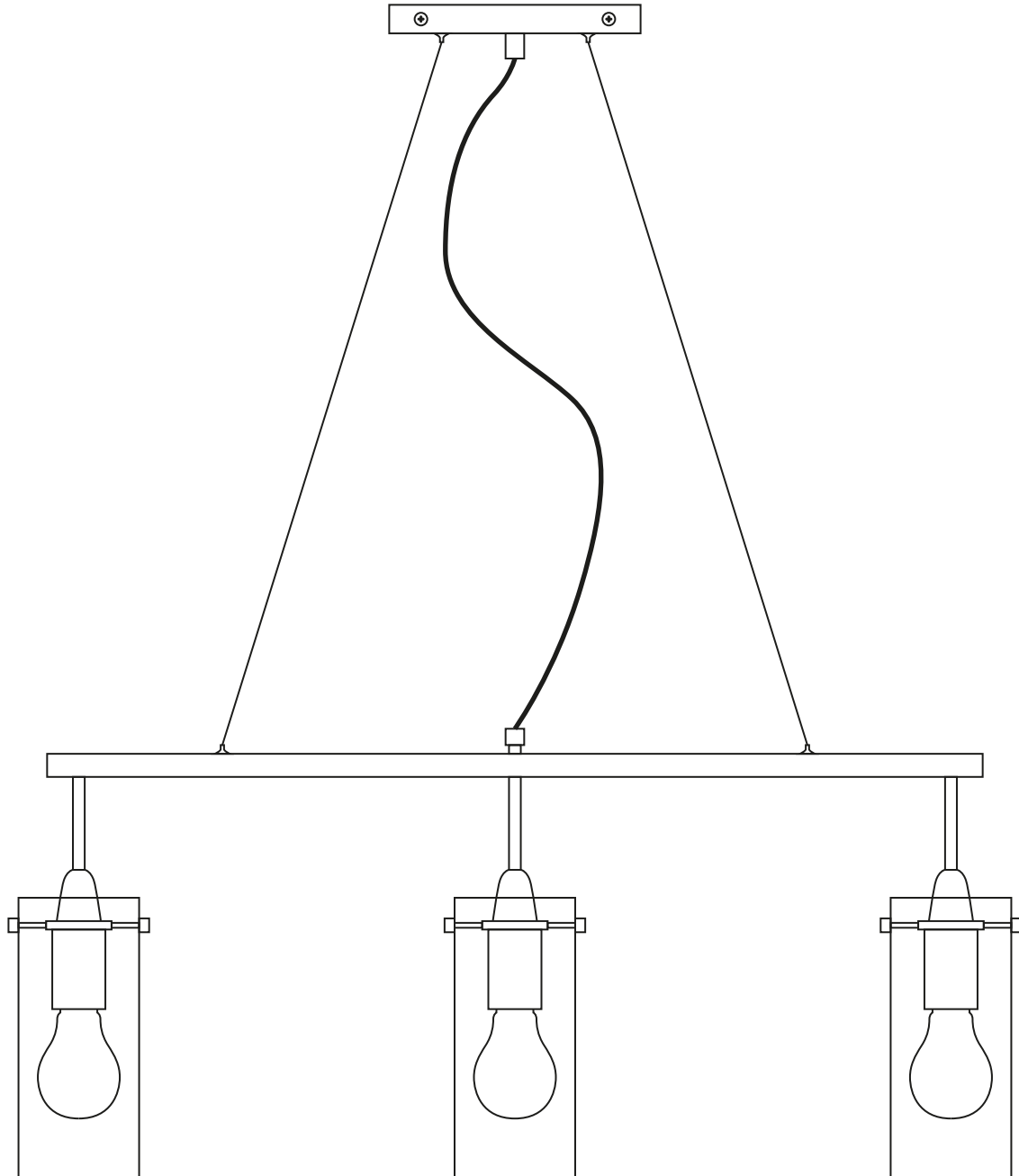


## EFFIMERO KITCHEN ISLAND CHANDELIER LL-P331 / LL-P335

### ASSEMBLY INSTRUCTIONS

REMOVE ALL PARTS FROM PACKAGE, BE CAREFUL NOT  
TO DAMAGE ANY COMPONENTS.

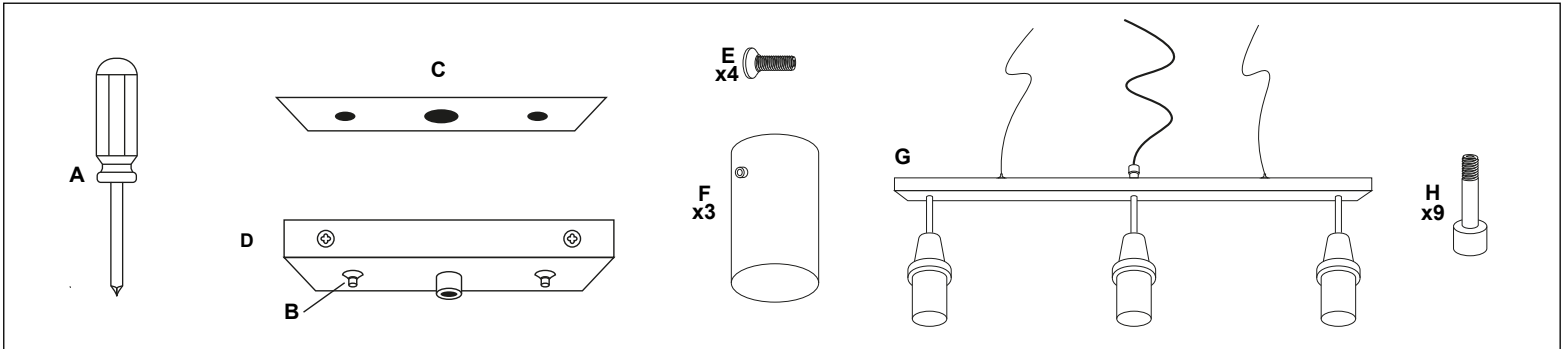


# LINEA ■ LIGHTING

## EFFIMERO KITCHEN ISLAND CHANDELIER

LL-P331 / LL-P335

REMOVE ALL PARTS FROM PACKAGE, BE CAREFUL NOT TO DAMAGE ANY COMPONENTS.



1. Measure area and determine desired hanging height.

2. Adjust the length of the cord by loosening the screw on the stem of the canopy with the provided screwdriver [A]. Re-tighten screw after desired cord length is achieved.

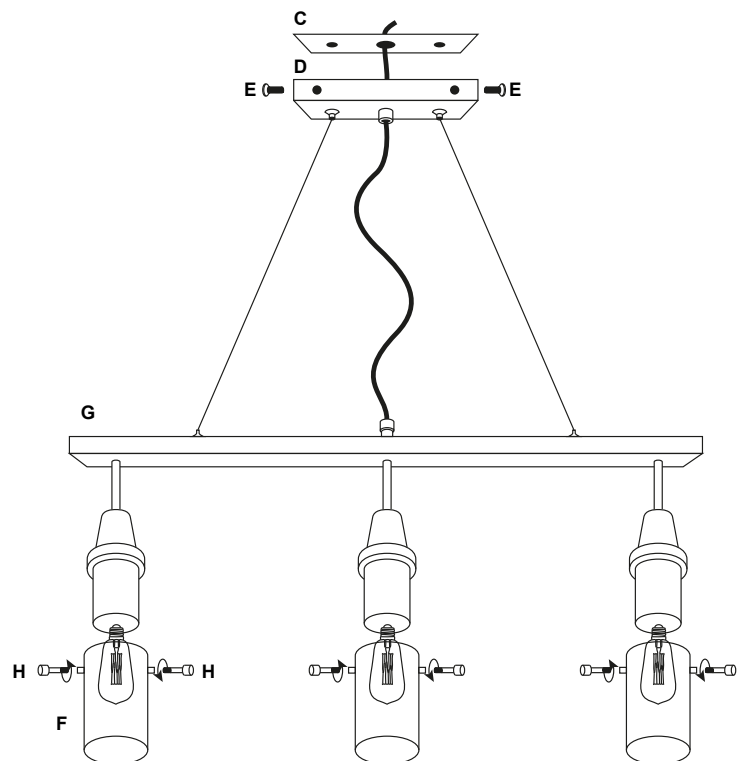
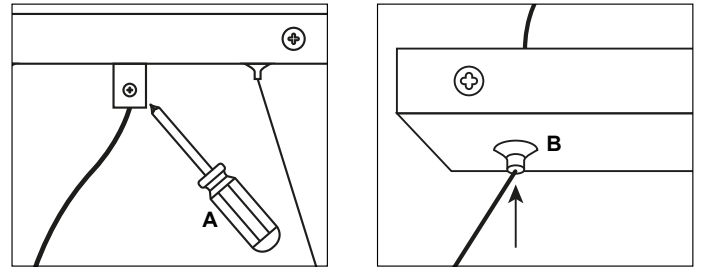
3. Feed the support wires into the canopy (To lengthen support wires compress neck [B] into canopy and pull wire out).

4. Detach mounting plate [C] from canopy [D] by removing canopy screws [E].

5. Mounting plate [C] will attach to ceiling junction box.

6. Install light to ceiling. Linea Lighting recommends installation by a qualified electrical professional. Canopy screws [E] are used to tighten light to ceiling.

7. Install the Glass shades [F] onto socket [G] and tighten by using shade screws [H]. Install bulbs 60W max (Not included).



Note: Turn off switch before replacing the bulb. Make sure the bulb has sufficient time to cool down. Do not subject the lamp to any shock while lit as shattering of glass shade may result.