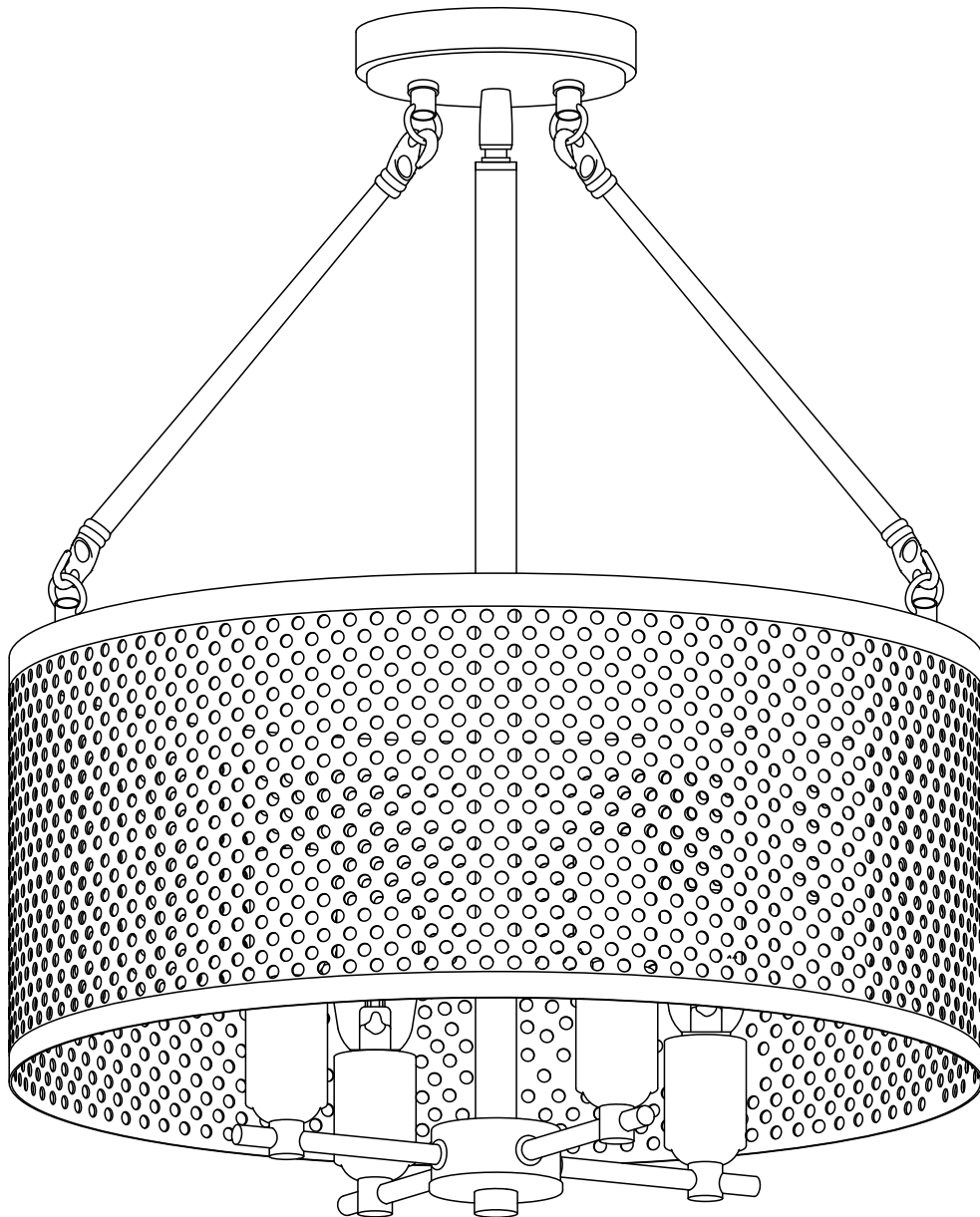


LINEA ■ LIGHTING

Gianna Chandelier Hanging Light LL-CL806

ASSEMBLY INSTRUCTIONS

REMOVE ALL PARTS FROM PACKAGE, BE CAREFUL NOT
TO DAMAGE ANY COMPONENTS.



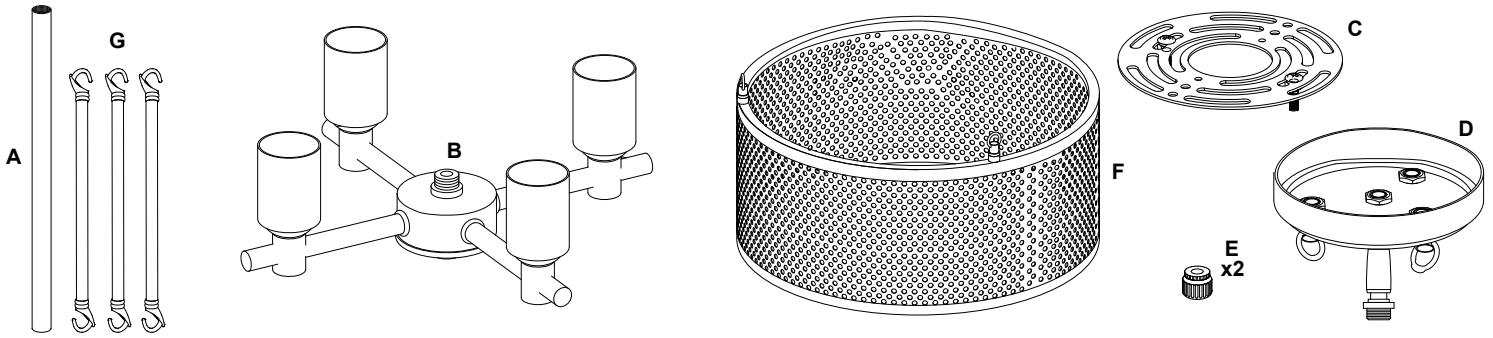
PROFESSIONAL INSTALLATION RECOMMENDED

LINEA ■ LIGHTING

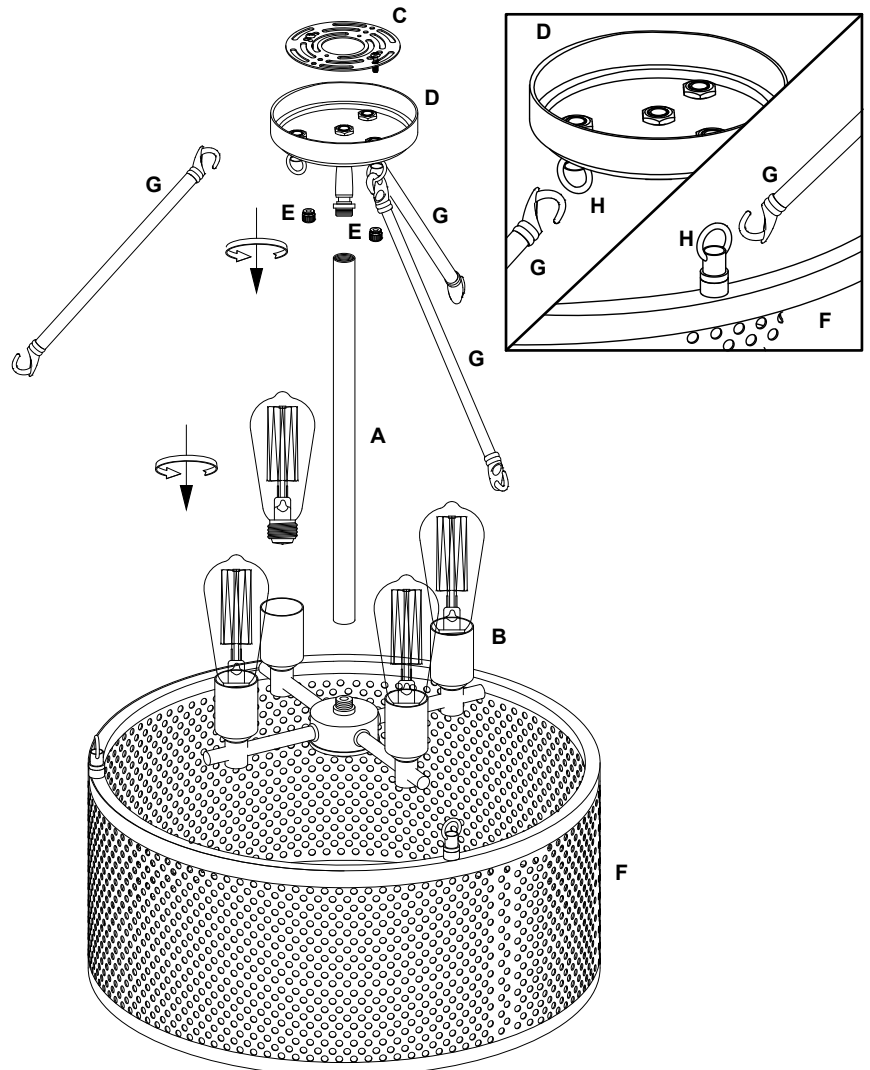
Gianna Chandelier Hanging Light

LL-CL806

REMOVE ALL PARTS FROM PACKAGE, BE CAREFUL NOT TO DAMAGE ANY COMPONENTS.



1. Thread wire from light hub base [B] through hard stem [A] and screw together.
2. Detach mounting plate [C] from canopy [D] by removing canopy nuts [E].
3. Mounting plate [C] will attach to ceiling junction box.
4. Thread wire from hard stem [A] through canopy [D] and screw together.
5. Install light to ceiling. Linea Lighting recommends installation by a qualified electrical professional. Canopy nuts [E] are used to tighten light to ceiling.
6. Install bulb(s) 60W max.
7. Connect shade [F] to canopy [D] by attaching the hook rod [G] to the corresponding top and bottom eyelets [H].



Note: Turn off switch before replacing the bulb. Make sure the bulb has sufficient time to cool down. Do not subject the lamp to any shock while lit as shattering of glass shade may result.