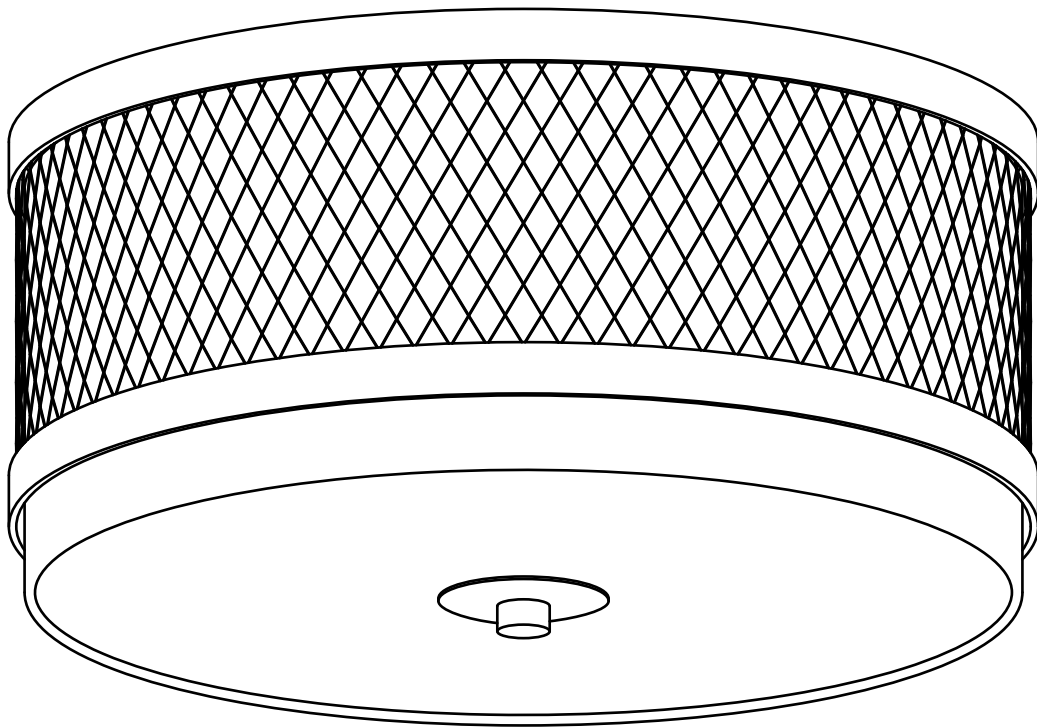


LINEA ■ LIGHTING

Flush Mount Ceiling Light LL-CL504

ASSEMBLY INSTRUCTIONS

REMOVE ALL PARTS FROM PACKAGE, BE CAREFUL NOT
TO DAMAGE ANY COMPONENTS.



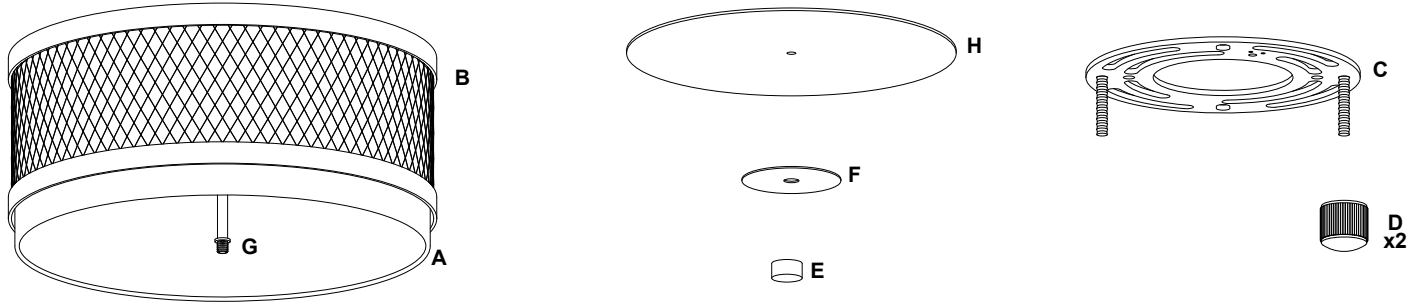
PROFESSIONAL INSTALLATION RECOMMENDED

LINEA ■ LIGHTING

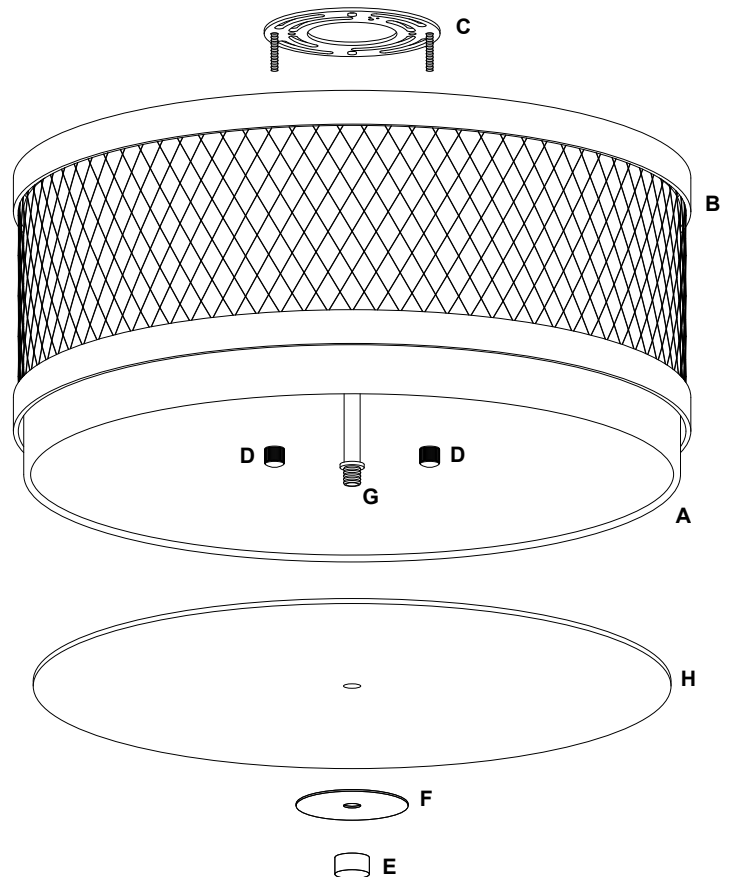
Flush Mount Ceiling Light

LL-CL504

REMOVE ALL PARTS FROM PACKAGE, BE CAREFUL NOT TO DAMAGE ANY COMPONENTS.



1. Remove shade [A] from canopy [B] by removing three shade screws. Remove plastic wrap from shade [A] and reattach to canopy [B].
2. Detach mounting plate [C] from canopy [B] by removing canopy nuts [D].
3. Mounting plate [C] will attach to ceiling junction box.
4. Install bulbs 60W max (not included).
5. Install light to ceiling. Linea Lighting recommends installation by a qualified electrical professional. Canopy nuts [D] are used to tighten light to ceiling.
6. Remove decorative nut [E] and washer [F] from fixture rod [G].
7. Place diffuser [H] over fixture rod [G].
8. Replace washer [F] and tighten with decorative nut [E].



Note: Turn off switch before replacing the bulb. Make sure the bulb has sufficient time to cool down. Do not subject the lamp to any shock while lit as shattering of glass shade may result.