

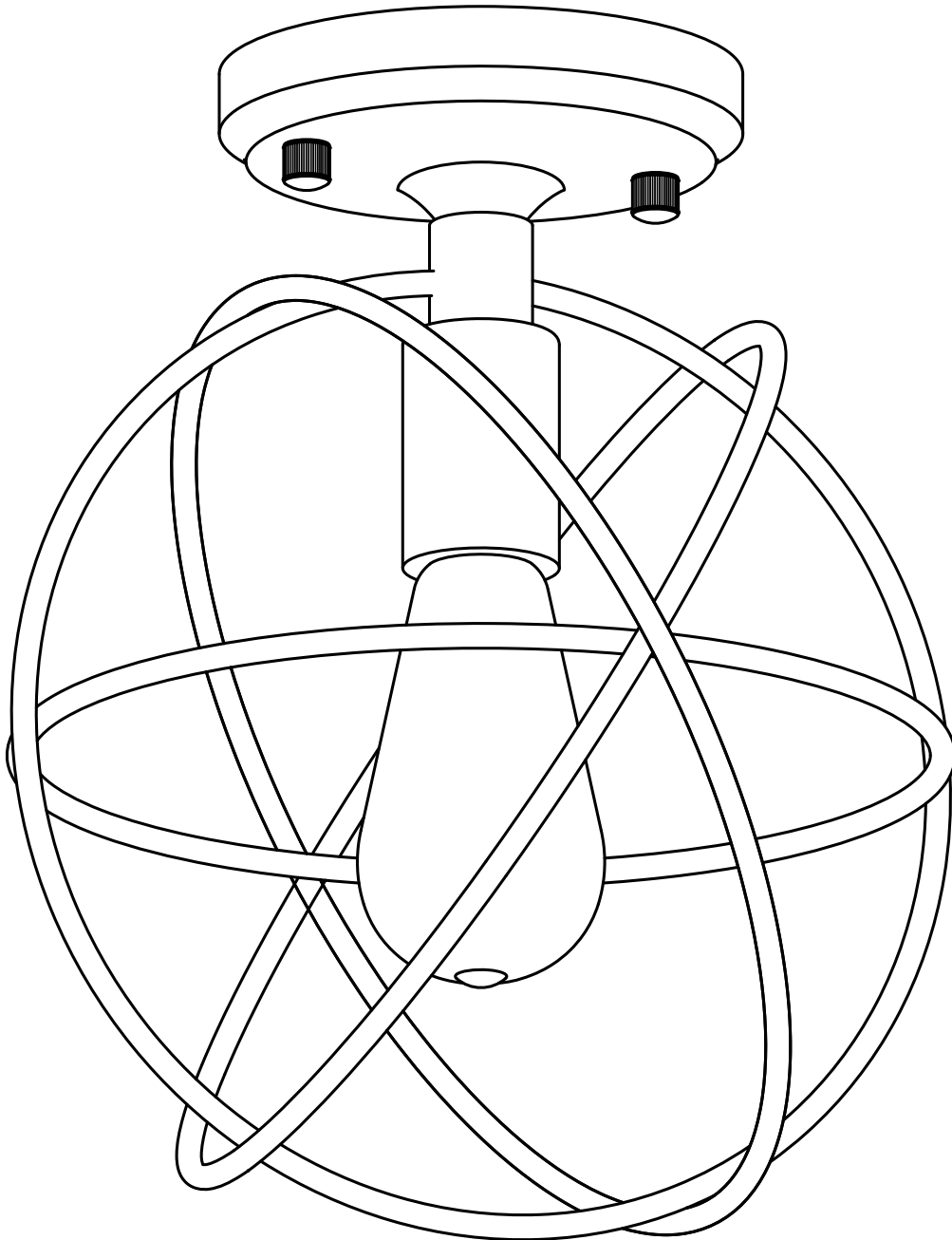
LINEA ■ LIGHTING

Semi Flush Mount Ceiling Light

LL-CL439

ASSEMBLY INSTRUCTIONS

REMOVE ALL PARTS FROM PACKAGE, BE CAREFUL NOT
TO DAMAGE ANY COMPONENTS.



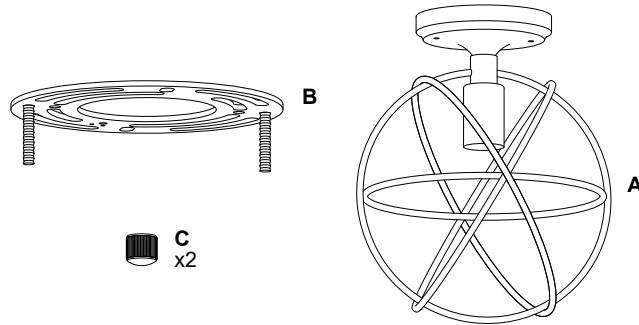
PROFESSIONAL INSTALLATION RECOMMENDED

LINEA ■ LIGHTING

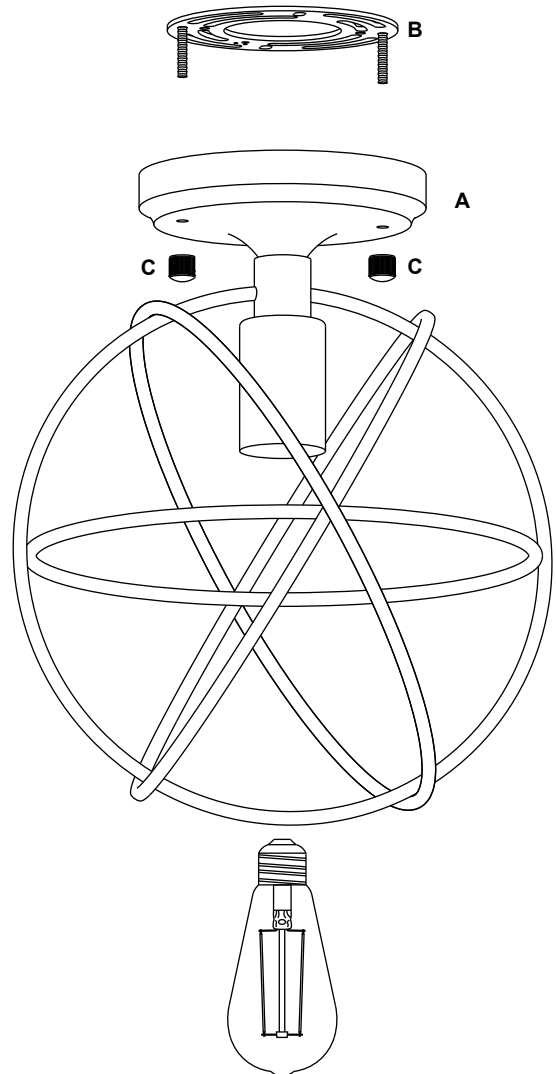
Semi Flush Mount Ceiling Light

LL-CL439

REMOVE ALL PARTS FROM PACKAGE, BE CAREFUL NOT TO DAMAGE ANY COMPONENTS.



1. Detach mounting plate [B] from fixture body [A] by removing canopy nuts [C].
2. Mounting plate [B] will attach to ceiling junction box.
3. Install light to ceiling. Linea Lighting recommends installation by a qualified electrical professional. Secure light by reattaching canopy nuts [C] through fixture body [A] to mounting plate [B].
4. Install bulb 60W max (included).



Note: Turn off switch before replacing the bulb. Make sure the bulb has sufficient time to cool down.
Do not subject the lamp to any shock while lit as shattering of glass shade may result.