

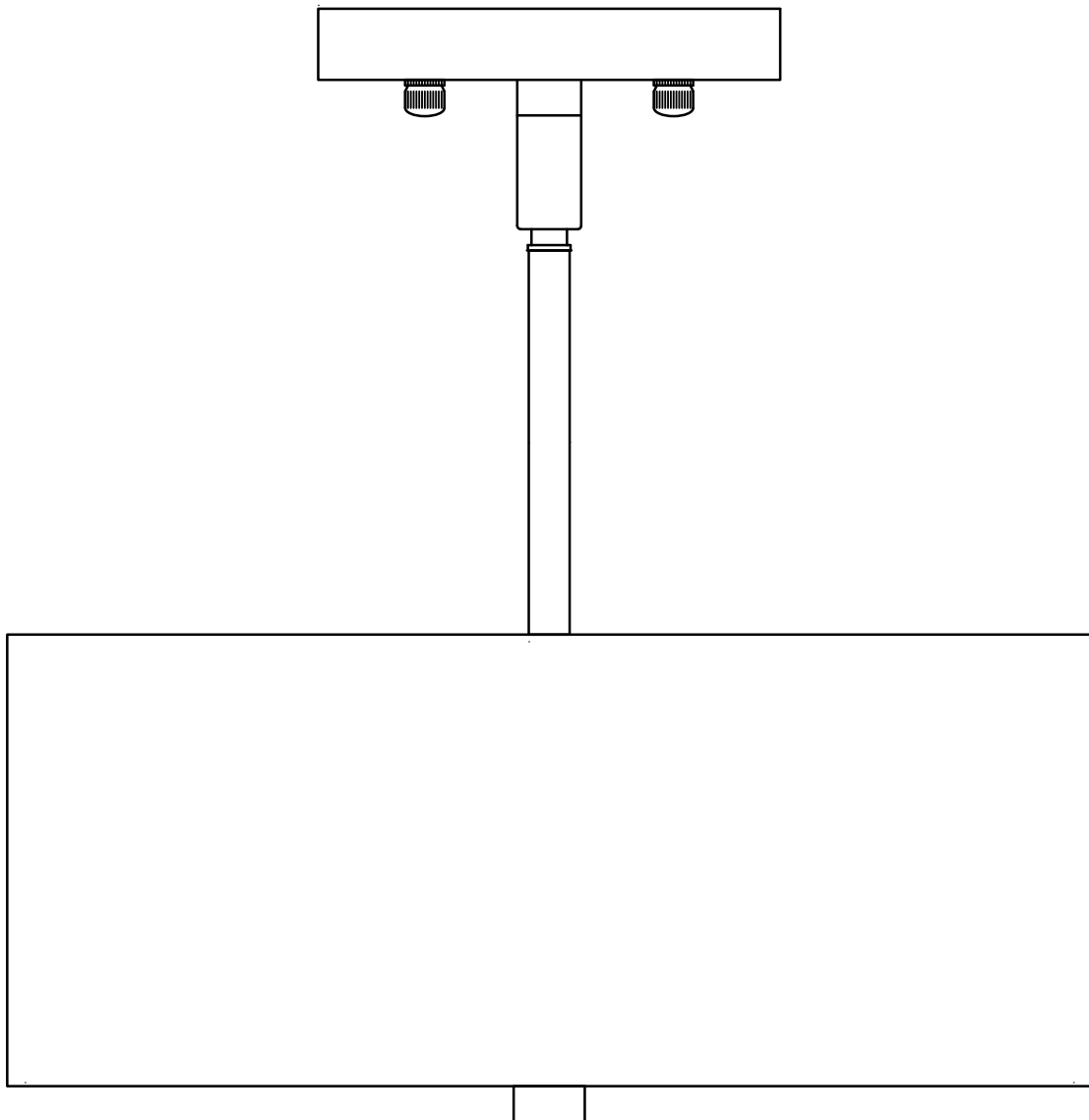
LINEA ■ LIGHTING

Semi Flush Mount Ceiling Light

LL-CL185

ASSEMBLY INSTRUCTIONS

REMOVE ALL PARTS FROM PACKAGE, BE CAREFUL NOT
TO DAMAGE ANY COMPONENTS.



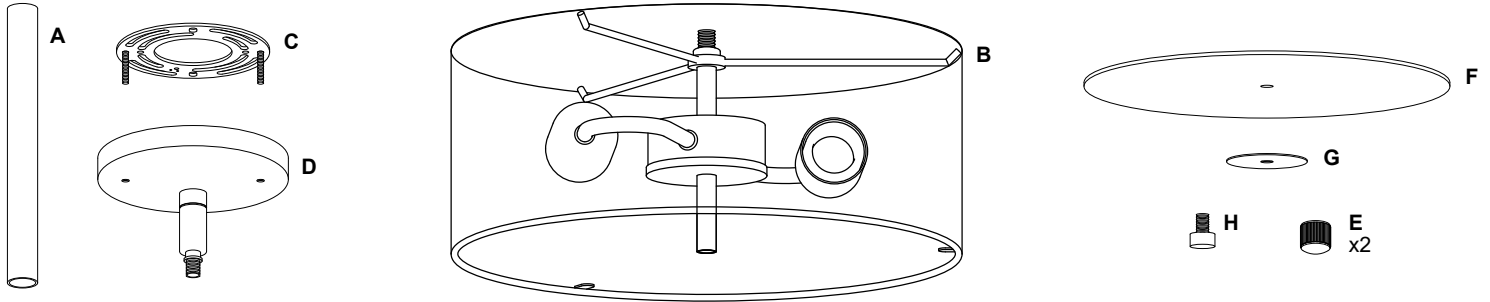
PROFESSIONAL INSTALLATION RECOMMENDED

LINEA ■ LIGHTING

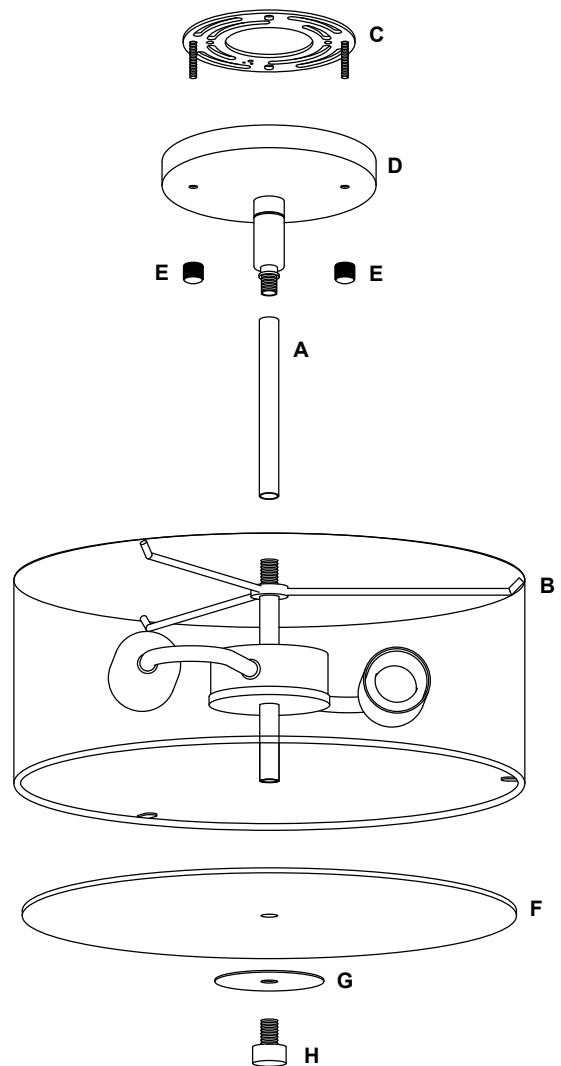
Semi Flush Mount Ceiling Light

LL-CL185

REMOVE ALL PARTS FROM PACKAGE, BE CAREFUL NOT TO DAMAGE ANY COMPONENTS.



1. Thread wire from fixture [B] through stem [A].
2. Detach mounting plate [C] from canopy [D] by removing canopy nuts [E].
3. Mounting plate [C] will attach to ceiling junction box.
4. Flip over fixture so the three diffuser tabs are showing and install bulb(s) 60W max (not included).
5. Place diffuser [F] on top of tabs so that the holes align. Place decorative washer [G] over hole. Insert finishing screw [H] and tighten by hand.
6. Install light to ceiling. Linea Lighting recommends installation by a qualified electrical professional. Secure fixture by reattaching canopy nuts [E] through canopy [D] to mounting plate [C]. Remove plastic wrapping from fabric shade before turning on light.



Note: Turn off switch before replacing the bulb. Make sure the bulb has sufficient time to cool down. Do not subject the lamp to any shock while lit as shattering of glass shade may result.