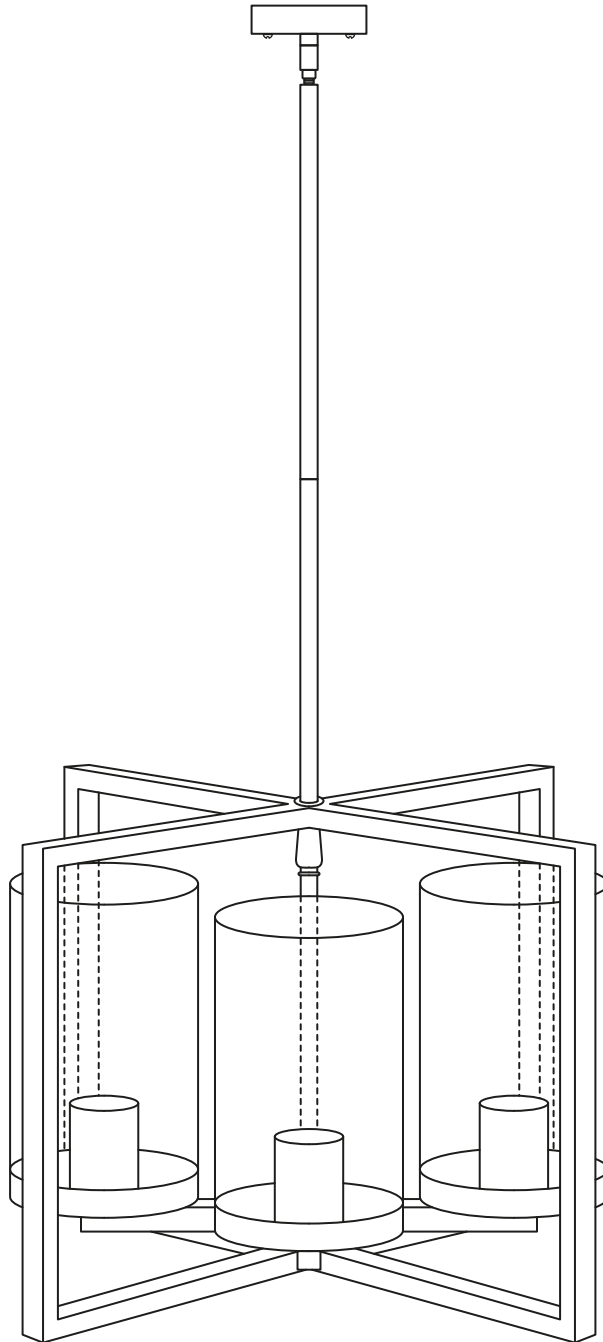


VERONA FOUR LIGHT CHANDELIER LL-CH18-3SB / LL-CH18-6DB-LED

ASSEMBLY INSTRUCTIONS

REMOVE ALL PARTS FROM PACKAGE, BE CAREFUL NOT
TO DAMAGE ANY COMPONENTS.

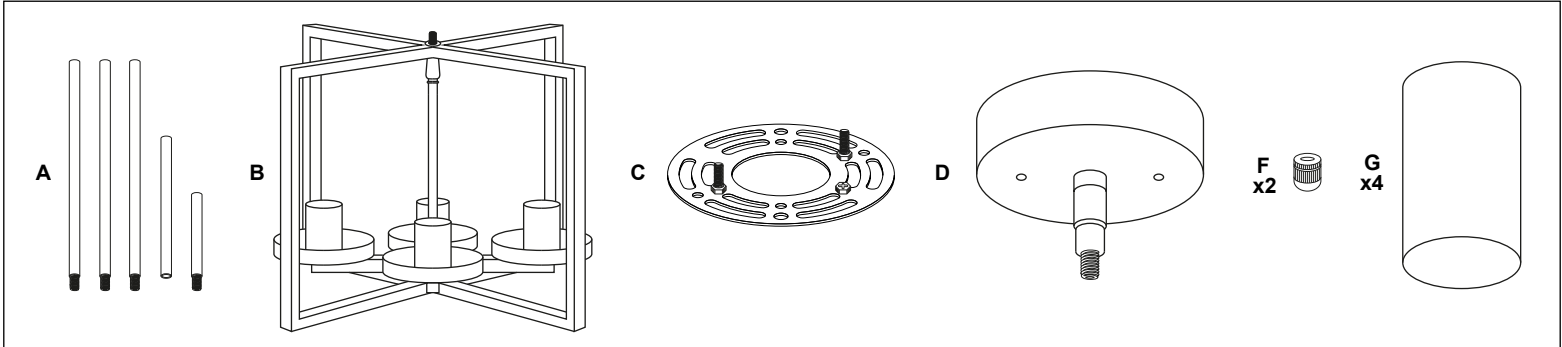


LINEA ■ LIGHTING

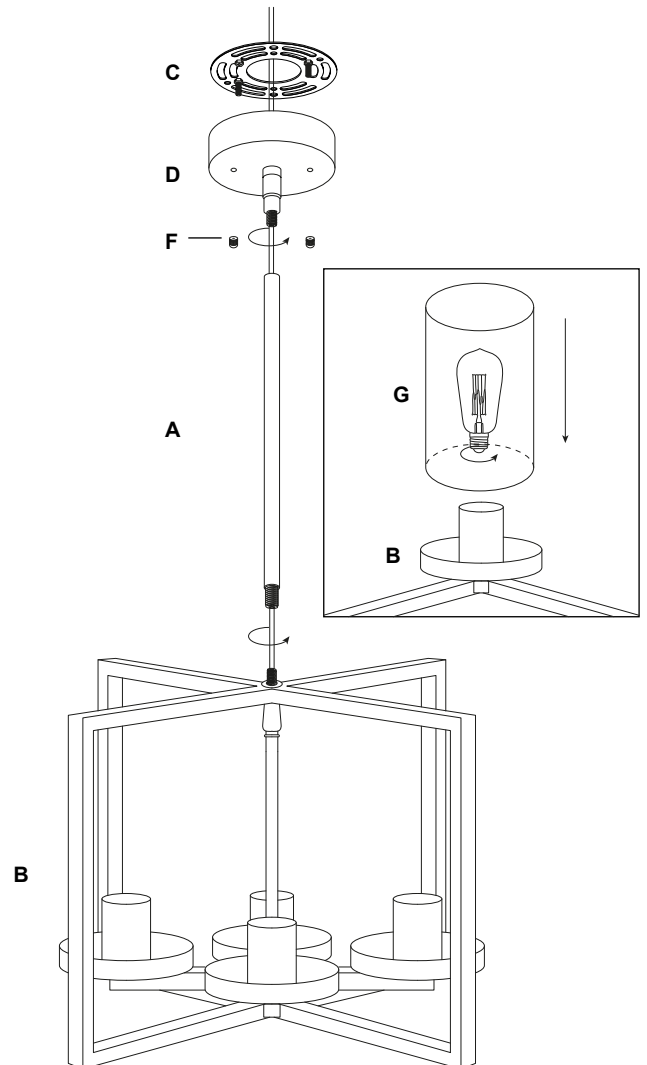
VERONA FOUR LIGHT CHANDELIER

LL-CH18-3SB / LL-CH18-6DB-LED

REMOVE ALL PARTS FROM PACKAGE, BE CAREFUL NOT TO DAMAGE ANY COMPONENTS.



1. Measure area and determine desired hanging height.
2. Product comes with three (3) 12", one (1) 8" and one (1) 4" hard stems [A] for adjustable hanging height. Determine the stems you will use to achieve desired height. (Threads are removable from the stems and thread removal may make it easier to thread wire.)
3. Thread wire [E] from socket part [B] through first stem [A]. Continue to add stems, threading the wire and screwing each stem together. Repeat as necessary to achieve desired hanging height.
4. Detach mounting plate [C] from canopy [D]. Thread wire [E] through canopy.
5. Mounting plate [C] will attach to ceiling junction box.
6. Install light to ceiling. Linea Lighting recommends installation by a qualified electrical professional. Canopy nuts [F] are used to tighten light to ceiling.
7. Install bulb 60W max (bulb not included with LL-CH18-3SB). Place glass shades [G] over bulbs and onto base.



Note: Turn off switch before replacing the bulb. Make sure the bulb has sufficient time to cool down. Do not subject the lamp to any shock while lit as shattering of glass shade may result.