

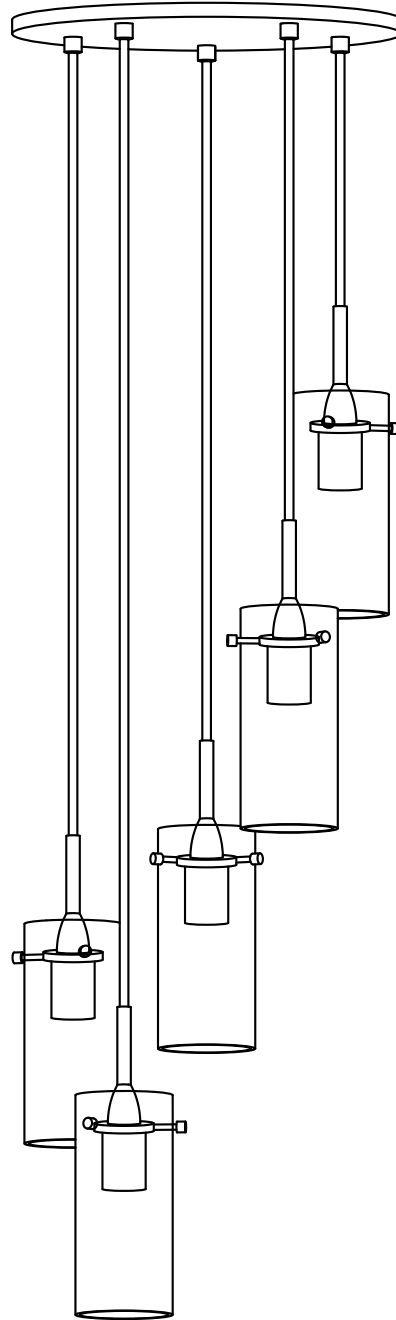
# LINEA ■ LIGHTING

---

## 5 Light Cluster Pendant Light LL-C45

### ASSEMBLY INSTRUCTIONS

REMOVE ALL PARTS FROM PACKAGE, BE CAREFUL NOT  
TO DAMAGE ANY COMPONENTS



---

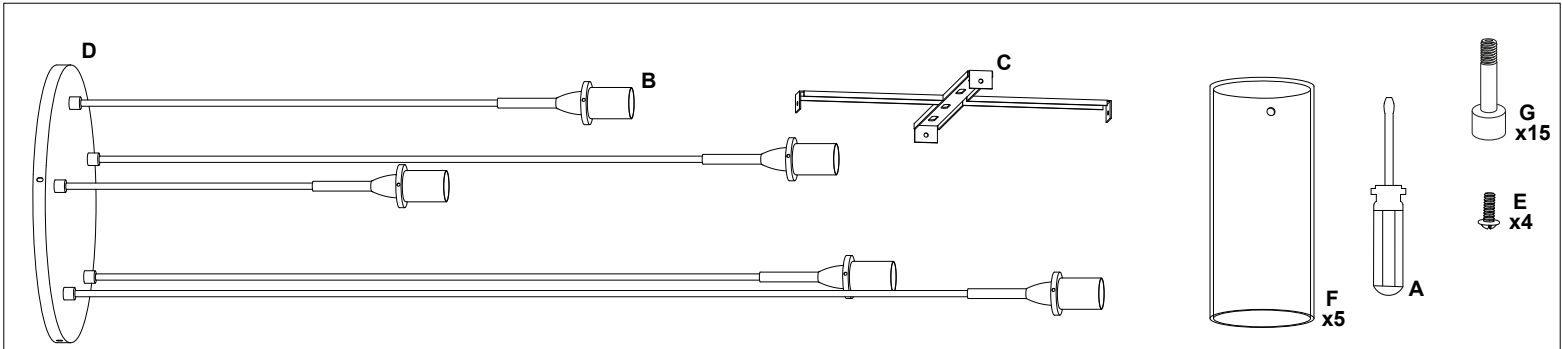
PROFESSIONAL INSTALLATION RECOMMENDED

# LINEA ■ LIGHTING

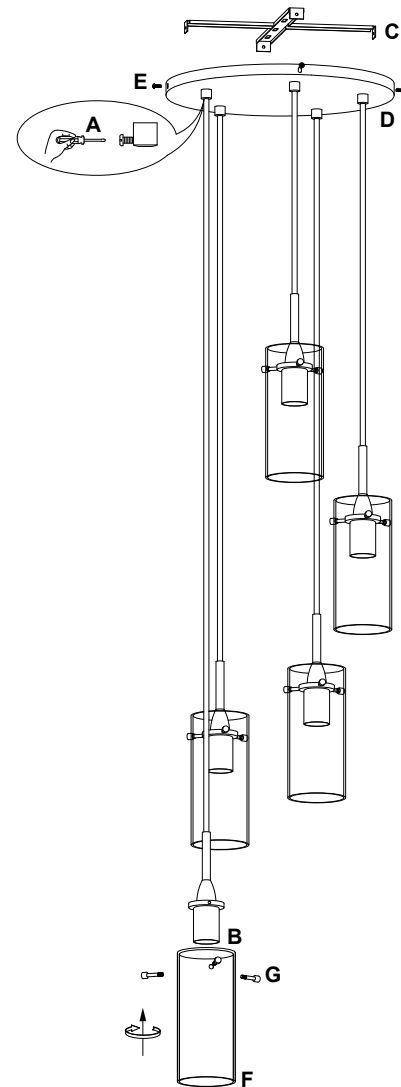
## 5 Light Cluster Pendant Light

LL-C45

REMOVE ALL PARTS FROM PACKAGE, BE CAREFUL NOT TO DAMAGE ANY COMPONENTS



1. Measure area and determine desired hanging height.
2. Adjust cord length(s) by loosening the screw(s) on the stem of the canopy [D] with the provided screwdriver [A].
3. Re-tighten screw(s) after desired cord length(s) are achieved.
4. Detach mounting plate [C] from canopy [D] by removing canopy screws [E].
5. Mounting plate [C] will attach to ceiling junction box. Install light to ceiling. Linea Lighting recommends installation by a qualified electrical professional. Secure light to ceiling by replacing canopy screws [E].
6. Install glass shade(s) [F] onto socket(s) [B] and secure by using glass screws [G].
7. Install bulb(s) 60W max (not included).



Note: Turn off switch before replacing the bulb. Make sure the bulb has sufficient time to cool down. Do not subject the lamp to any shock while lit as shattering of glass shade may result.