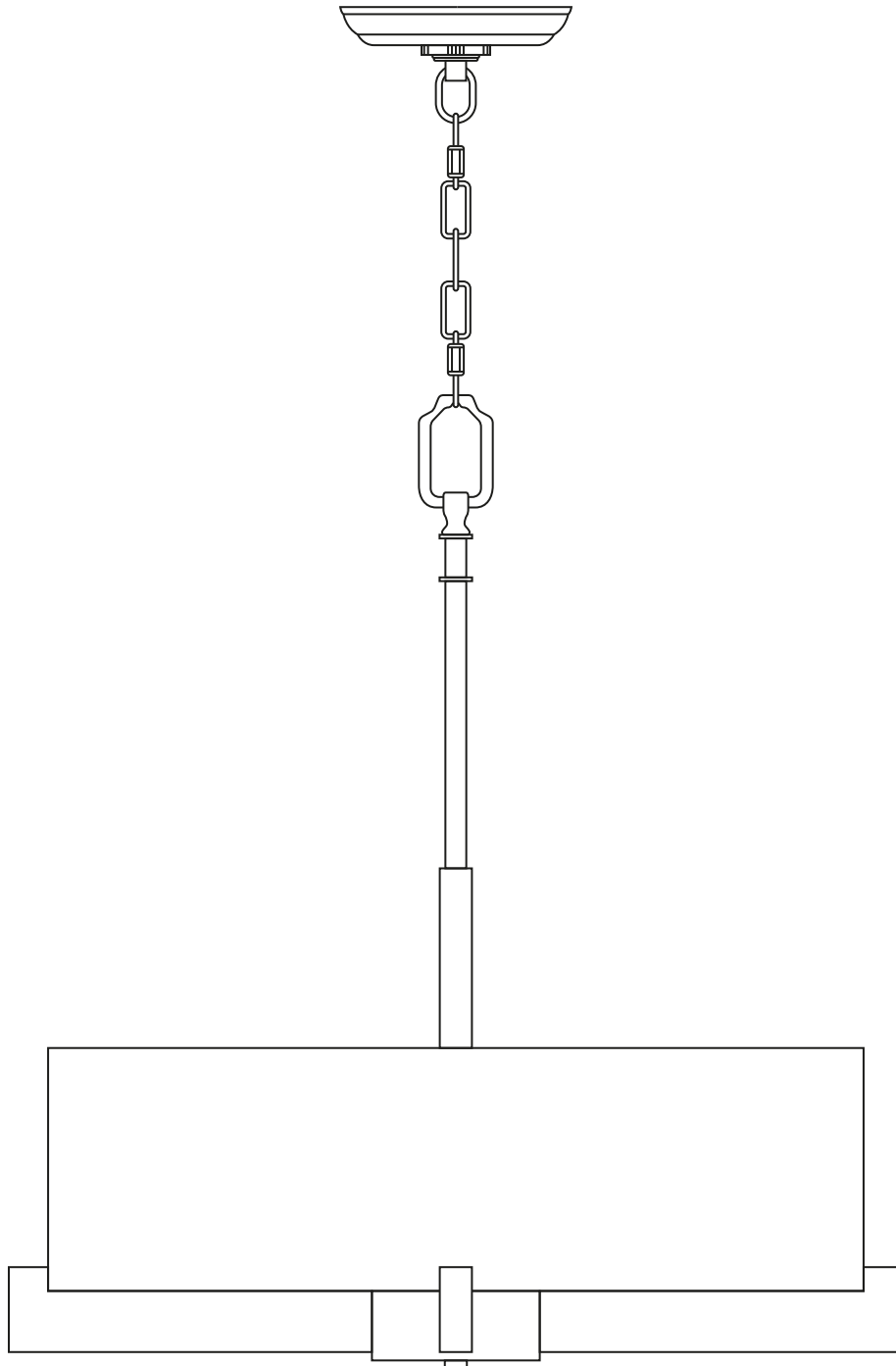


LINEA ■ LIGHTING

ALLEGRO DRUM CHANDELIER LL-C134

ASSEMBLY INSTRUCTIONS

REMOVE ALL PARTS FROM PACKAGE, BE CAREFUL NOT
TO DAMAGE ANY COMPONENTS.



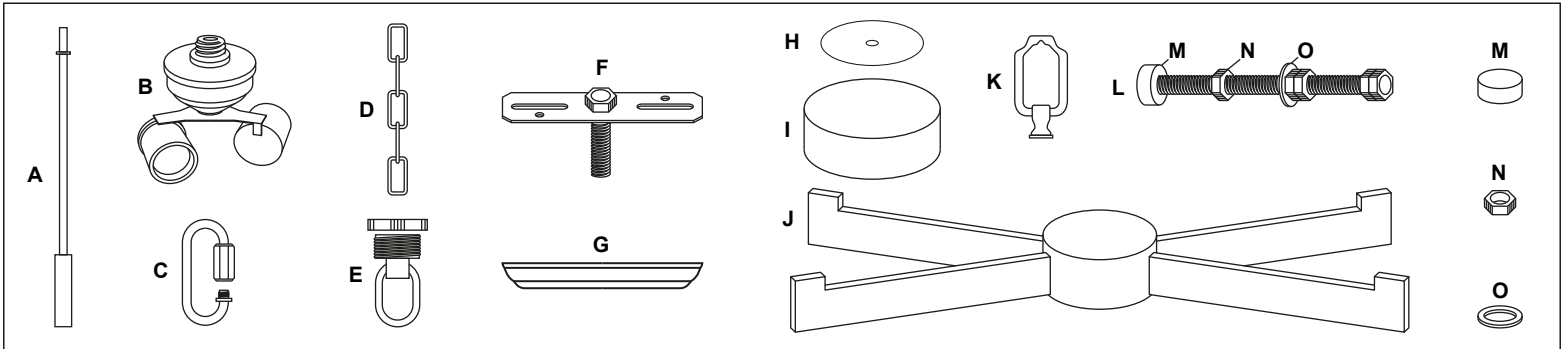
PROFESSIONAL INSTALLATION RECOMMENDED

LINEA ■ LIGHTING

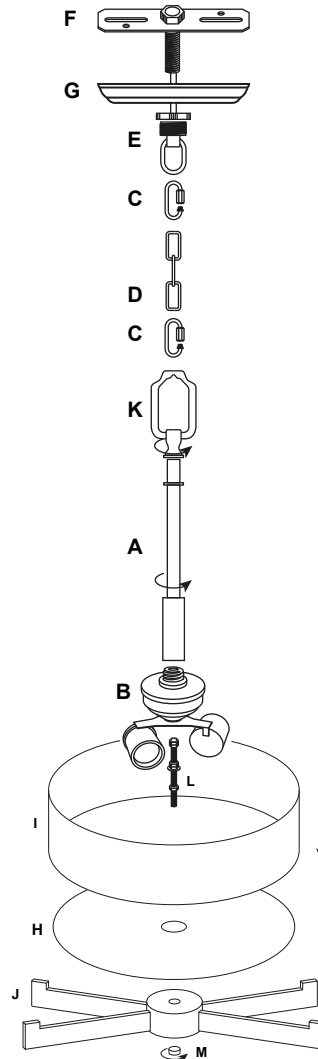
ALLEGRO DRUM CHANDELIER

LL-C134

REMOVE ALL PARTS FROM PACKAGE, BE CAREFUL NOT TO DAMAGE ANY COMPONENTS.



1. Attach screw and nut assembly [L] to bottom of light hub base [B]. Remove decorative nut [M], standard nut [N] and red washer [O] from screw and nut assembly [L].
2. Remove plastic overwrap from shade [I]. Place shade [I] over end of screw and nut assembly [L]. Place diffuser [H] over screw and nut assembly [L]. Place the red washer [O], then the standard nut [N] on screw and nut assembly [L].
3. Place the decorative bracket [J] over screw and nut assembly [L], so that it covers the visible shade spokes. Secure with decorative nut [M].
4. Attach decorative link [K] by sliding down wire and screwing to hanging rod [A].
5. Attach pre-wired hanging rod [A] to light hub base [B].
6. Remove thumb-screw link [C] from one end of chain [D] and set aside. Adjust chain [D] length by removing pre-cut links (pliers recommended, not included) until desired hanging height is achieved.
7. Reattach thumb-screw link [C] to chain [D]. Attach chain [D] to hanging rod [A] with thumb-screw link [C] and tighten.
8. Thread wire [E] through every third link until end of chain [D] is reached.
9. Detach hanging link [E] from mounting plate [F].
10. Thread wire through hanging link [E] and canopy [G].
11. Mounting plate [F] will attach to ceiling junction box.
12. Install light to ceiling. Linea Lighting recommends installation by a qualified electrical professional.
13. Install bulbs 60W max (bulbs not included).



Note: Turn off switch before replacing a bulb. Make sure the bulb has sufficient time to cool down.