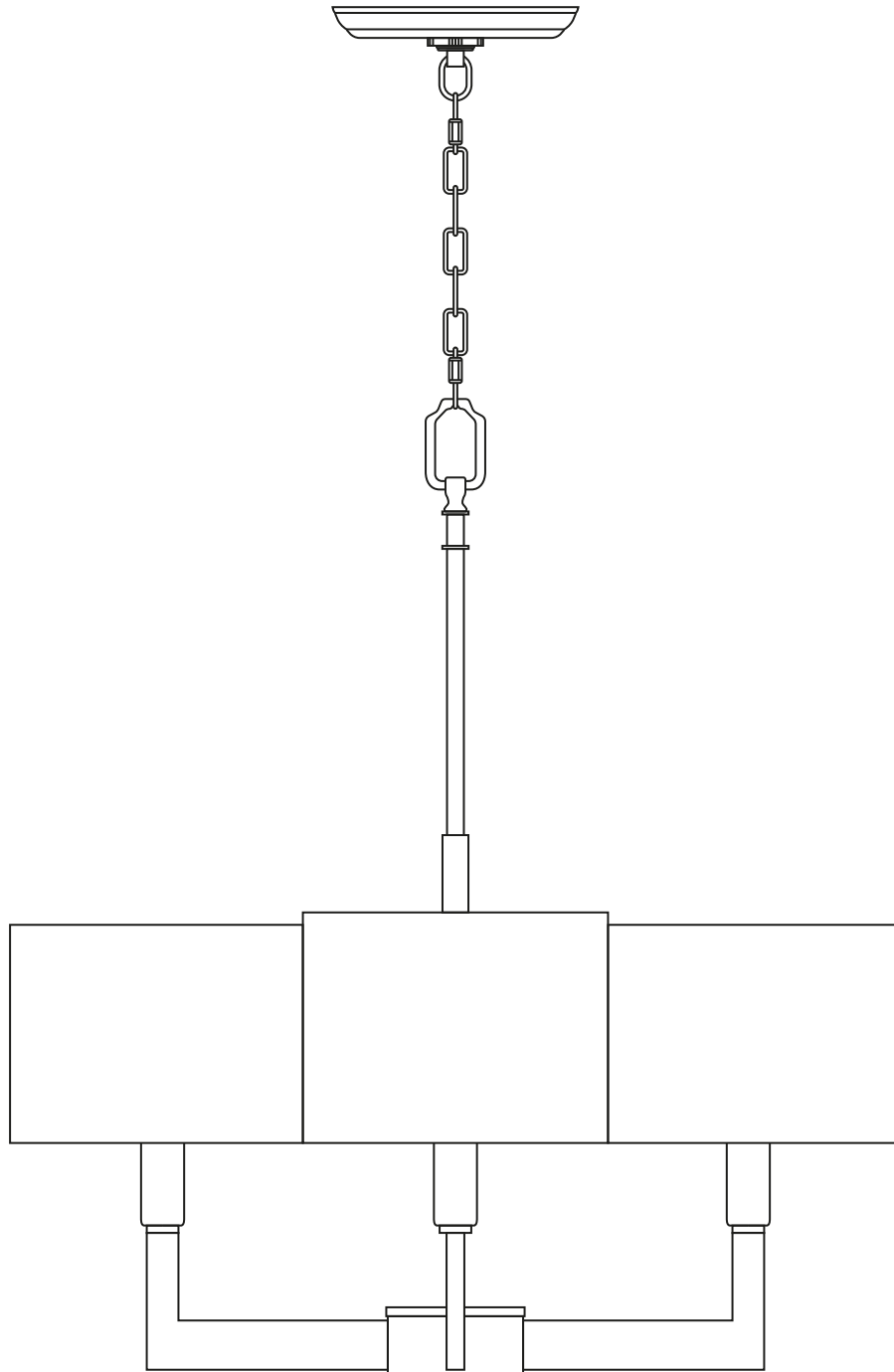


LINEA ■ LIGHTING

ALLEGRO CHANDELIER LL-C133 / LL-C135

ASSEMBLY INSTRUCTIONS

REMOVE ALL PARTS FROM PACKAGE, BE CAREFUL NOT
TO DAMAGE ANY COMPONENTS.



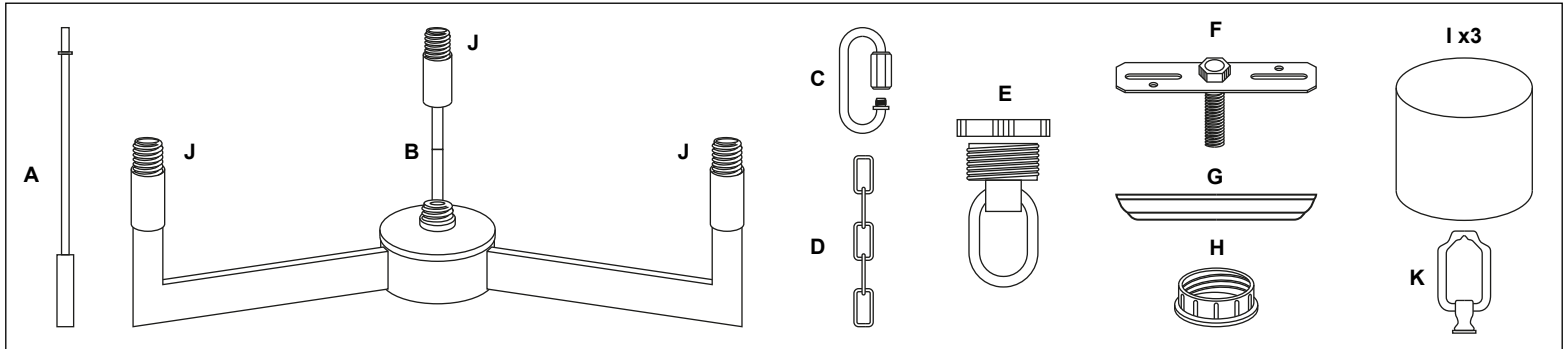
PROFESSIONAL INSTALLATION RECOMMENDED

LINEA ■ LIGHTING

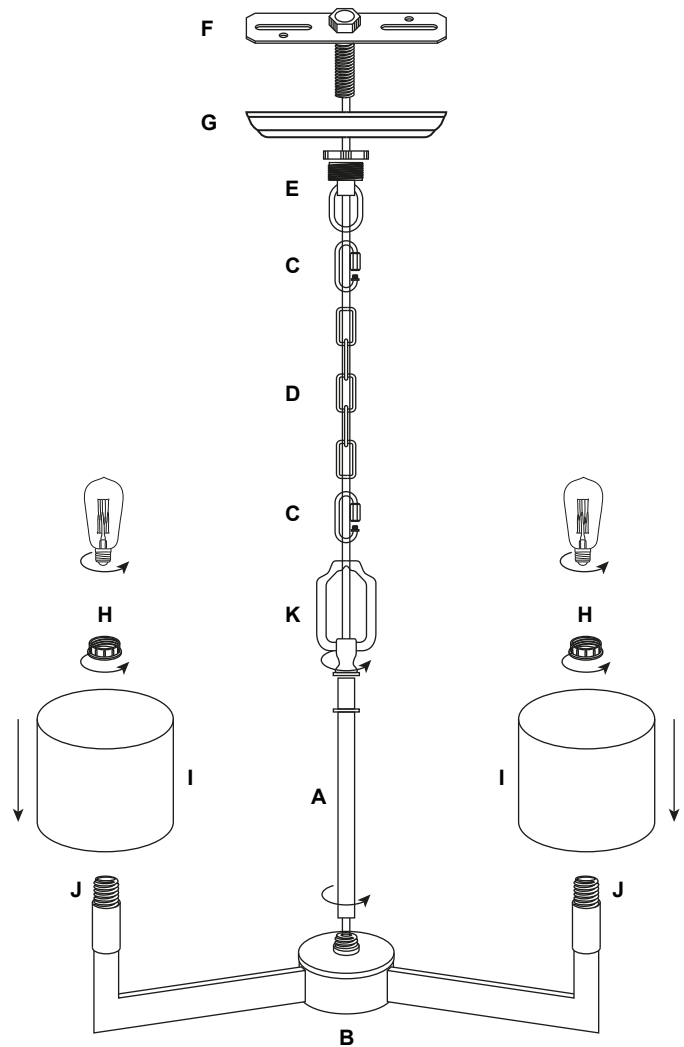
ALLEGRO CHANDELIER

LL-C133 / LL-C135

REMOVE ALL PARTS FROM PACKAGE, BE CAREFUL NOT TO DAMAGE ANY COMPONENTS.



1. Measure area and determine desired hanging height.
2. Attach decorative link [K] by sliding down wire and screwing to hanging rod [A].
3. Attach pre-wired hanging rod [A] to light hub base [B]
4. Remove thumb-screw link [C] from one end of chain [D] and set aside. Adjust chain [D] length by removing pre-cut links (pliers recommended, not included) until desired hanging height is achieved.
5. Reattach thumb-screw link [C] to chain [D]. Attach chain [D] to hanging rod [A] with thumb-screw link [C] and tighten.
6. Thread wire [E] through every third link until end of chain [D] is reached.
7. Detach hanging link [E] from mounting plate [F].
8. Thread wire through hanging link [E] and canopy [G].
9. Mounting plate [F] will attach to ceiling junction box.
10. Install light to ceiling. Linea Lighting recommends installation by a qualified electrical professional.
11. Remove socket ring [H]. Remove plastic overwrap from shade [I] and place over socket [J] and secure with socket ring [H]. Repeat for all sockets.
12. Install bulbs 60W max (bulbs not included).



Note: Turn off switch before replacing a bulb. Make sure the bulb has sufficient time to cool down.