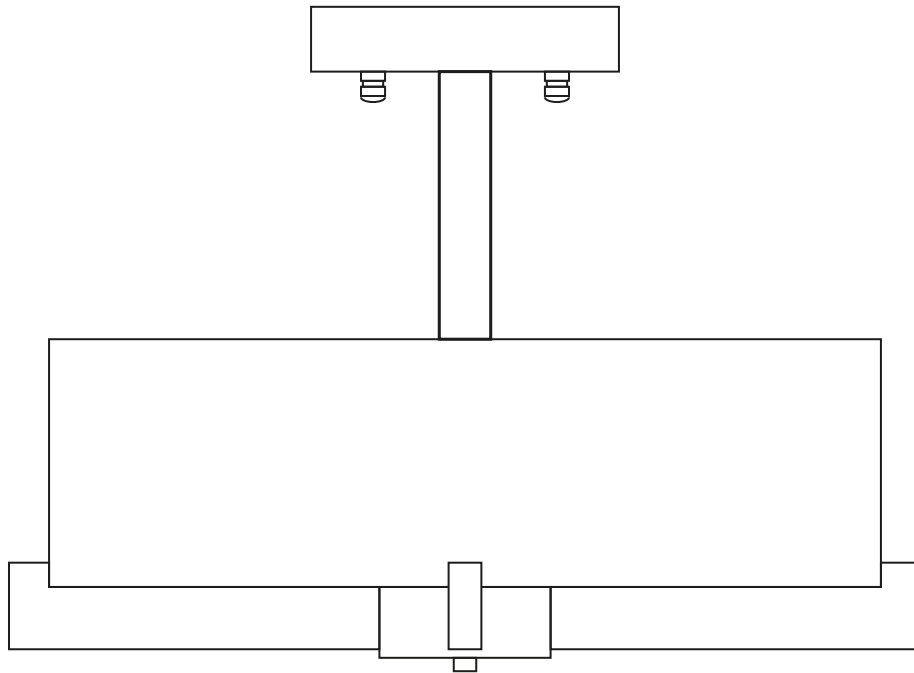


LINEA ■ LIGHTING

ALLEGRO SEMI FLUSH MOUNT CEILING LIGHT LL-C132

ASSEMBLY INSTRUCTIONS

REMOVE ALL PARTS FROM PACKAGE, BE CAREFUL NOT
TO DAMAGE ANY COMPONENTS.



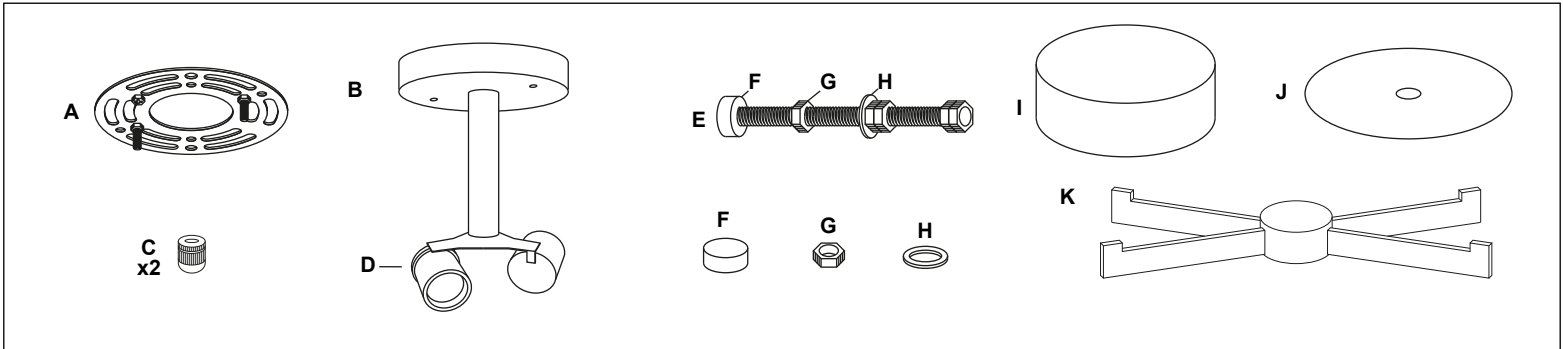
PROFESSIONAL INSTALLATION RECOMMENDED

LINEA ■ LIGHTING

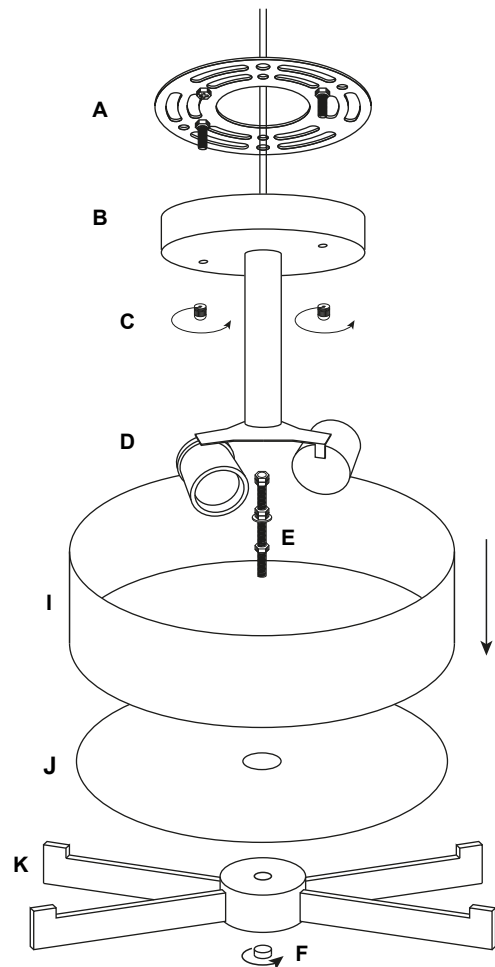
ALLEGRO SEMI FLUSH MOUNT CEILING LIGHT

LL-C132

REMOVE ALL PARTS FROM PACKAGE, BE CAREFUL NOT TO DAMAGE ANY COMPONENTS.



1. Attach screw and nut assembly [E] to bottom of light hub base [D]. Remove decorative nut [F], standard nut [G] and red washer [H] from screw and nut assembly [E].
2. Remove plastic overwrap from shade [I]. Place shade [I] over end of screw and nut assembly [E]. Place diffuser [J] over screw and nut assembly [E]. Place the red washer [H], then the standard nut [G] on screw and nut assembly [E].
3. Place the decorative bracket [K] over screw and nut assembly [E], so that it covers the visible shade spokes. Secure with decorative nut [F].
4. Install bulbs 60W max (bulbs not included).
5. Detach mounting plate [A] from canopy [B] by removing canopy nuts [C].
6. Mounting plate [A] will attach to ceiling junction box.
7. Install light to ceiling. Linea Lighting recommends installation by a qualified electrical professional.



Note: Turn off switch before replacing a bulb. Make sure the bulb has sufficient time to cool down.