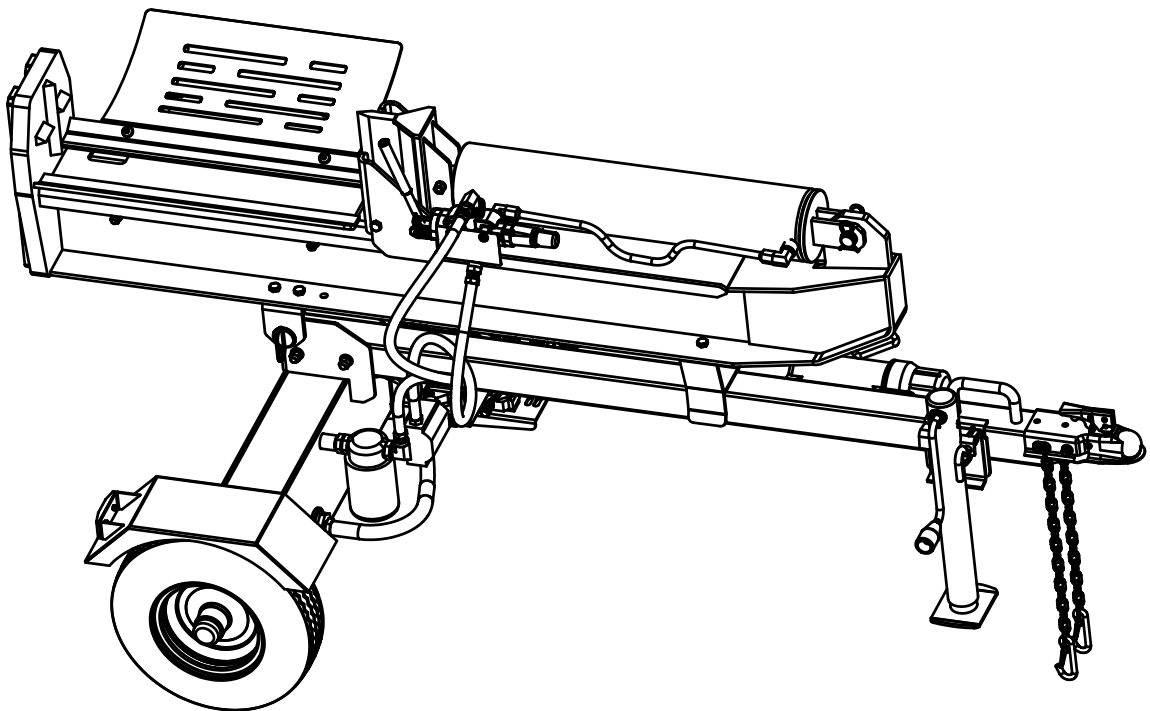


FIRMAN[®]

OPERATOR'S MANUAL 37 TON GASOLINE LOG SPLITTER



GS3701

Rev:00

Record product information to reference when ordering parts or obtaining warranty coverage.

STOP DO NOT RETURN TO STORE!

CALL US FIRST
1-844-347-6261

FOR QUESTIONS OR SERVICE INFORMATION



SERIAL NUMBER: _____

PURCHASE DATE: _____

P/N:710745452 Rev:00

INTRODUCTION

Table of Contents

Introduction	1
Features Controls and on Product Hazard Labels	6
Assembly	12
Operation	19
Maintenance - Storage	27
Troubleshooting- Specifications	30
Parts Diagrams - Parts Lists	32
Service - Warranty	34

REGISTER YOUR PRODUCT

Register your product using the QR code provided or at www.firmanpowerequipment.com.






INTRODUCTION









Thank you for purchasing a FIRMAN log splitter. You have selected a high-quality, precision engineered log splitter designed and tested to give you years of satisfactory service.

This manual contains safety information to make you aware of the hazards and risks associated with log splitter products and how to avoid them. It is important that you read and understand these instructions thoroughly before attempting to start or operate log splitter. Save these original instructions for future reference.





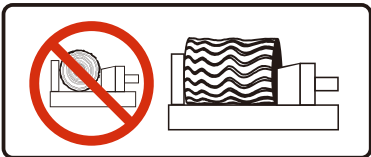

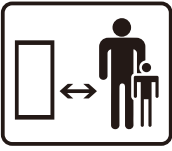

All information in this publication is based on the latest production information available at the time of approval for printing. The manufacturer reserves the right to change, alter or otherwise improve the log splitter and this documentation at any time without prior notice.

SIGNAL WORDS

 DANGER	 WARNING	 CAUTION	NOTICE
Indicates a hazard which, if not avoided, will result in death or serious injury.	Indicates a hazard which, if not avoided, could result in death or serious injury.	Indicates a hazard which, if not avoided, could result in minor or moderate injury.	Indicates information considered Important, but not hazard-related.

	Operator's Manual- Failure to follow warnings, instructions and operator's manual could result in death or serious injury.
	Eye and Ear Protection - Always wear safety goggles or safety glasses with side shields, and as necessary a full face-shield as well as full ear protection when operating this product.
	Footwear - Always wear safety shoes or heavy boots when operating the machine.
	Gloves - Always wear nonslip, heavy-duty protective gloves when operating this product.
	Safety Alert Symbol - Indicates a potential personal injury hazard.
	Fire- Fuel and its vapors are extremely flammable which could cause burns or fire resulting in death or serious injury.Engine exhaust could cause fire resulting in death or serious injury.
	Skin Injection Hazard - High pressure hydraulic oil can inject under your skin. Make sure all fittings are tightly secure before applying pressure. Relieve system pressure before servicing.
	Always keep hands away from the wedge slide and the hydraulic cylinder. Moving parts can crush or cut.

INTRODUCTION

	<p>Always keep feet away from the wedge slide and the hydraulic cylinder. Moving parts can crush or cut.</p>
	<p>Hot Surface- Muffler could cause burns resulting in serious injury.</p>
	<p>Open Flame alert - Fuel and its vapors are extremely flammable and explosive. Keep fuel away from smoking, open flames, sparks, pilot lights, heat, and other ignition sources.</p>
	<p>Hold logs on sides when loading. Keep hands and feet away from cylinder, wedge, and partially split logs.</p>
	<p>Never place hands or any part of the body between a log and any part of the log splitter. Do not split logs against the grain. Split logs end to end in the direction of the grain only.</p>
	<p>Toxic Fumes- Engine exhaust contains carbon monoxide, a poisonous gas that will kill you in minutes. You cannot smell it or see it.</p>
	<p>Clearance - Keep all objects including others at least 10 feet (3m) from this machine. Only one person should operate the log splitter and load the logs.</p>
	<p>Never operate on an incline. Make sure the log splitter is on a level surface. Block tires and ensure support leg is secure to prevent unintended movement of the log splitter during operation.</p>



WARNING! This product can expose you to chemicals including gasoline engine exhaust and lead and lead compounds, which are known to the state of California to cause cancer, and carbon monoxide, which is known to the State of California to cause birth defects or other reproductive harm. For more information go to www.P65Warning.ca.gov.

Training

1. Read the Operator's Manual completely before attempting to use this log splitter.
2. Do not allow anyone to operate your log splitter who has not read the Log Splitter and Engine manuals or has not been instructed on the safe use of the log splitter.
3. Never allow children or untrained adults to operate this machine.
4. Many accidents occur when more than one (1) person operates the log splitter. If a helper is assisting in loading logs to be split, never actuate controls until helper is clear of the area.
5. Never allow anyone to ride on the machine.
6. Never transport cargo on the log splitter.
7. High fluid pressures are developed in hydraulic log splitters. Pressurized hydraulic fluid escaping through a pin hole opening can puncture skin and cause sever blood poisoning. Therefore, the following instructions should be heeded at all times.
 - 7a. Do not operate the unit with frayed, kinked, cracked or damaged hoses, fittings, or tubing.
 - 7b. Stop the engine and relieve hydraulic system pressure before changing or adjusting fittings, hoses, tubing, or other system components.
 - 7c. Do not adjust the pressure settings of the pump or valve.
 - 7d. Do not check for leaks with your hand. Leaks can be detected by passing cardboard or wood over the suspected area. Look for discoloration. If injured by escaping fluid, see a doctor at once. Serious infection or reaction can develop if proper medical treatment is not administered immediately.
8. Keep the operator zone and adjacent area clear for safe, secure footing.
9. The log splitter is equipped with a spark arrestor for use near unimproved forest, brush, or grass covered land. Make sure you comply with local, state, and federal codes. Take appropriate fire-fighting equipment with you. See engine manual for more information.
10. Log splitters should be used only for splitting wood. Do not use for other purposes unless the manufacturer provides attachments and instructions.
11. Only split wood with the grain. NEVER split perpendicular to the grain.
12. Keep the area of operation clear of all persons, particularly small children.

Preparation

1. Be thoroughly familiar with all controls and with proper use of the equipment.
2. Safety Gear:
 - 2a. Always wear safety shoes or heavy boots when operating the machine.
 - 2b. Always wear safety goggles or safety glasses with side shields, and as necessary a full face-shield when operating or servicing the machine.
 - 2c. Never wear jewelry or loose-fitting clothing that might become entangled in moving or rotating parts of the machine.
 - 2d. Always wear full ear protection when operating the machine.
3. Make sure the log splitter is on a level surface. Block tires and ensure support leg is secure to prevent unintended movement of the log splitter during operation.
 - 3a. Always operate the log splitter from the manufacturer's indicated operator zone.
4. Logs to be split on ram-type units should be cut as squarely as possible.

INTRODUCTION

5. Fuel:

- 5a. Use an approved fuel container.
- 5b. Never add fuel to a running or hot engine.
- 5c. Fill fuel tank outdoors with extreme care. Never fill fuel tank indoors.
- 5d. Replace gasoline cap securely and clean up any spilled fuel. If fuel is spilled on clothing, change clothing immediately.
- 5e. Never fill fuel containers inside a vehicle or on a truck or trailer bed with a plastic liner. Always place container on the ground away from your vehicle before filling.
- 5f. Keep the fuel nozzle in contact with the rim of the fuel tank or container opening at all times until fueling is complete. Do not use a nozzle lock open device.

Operation

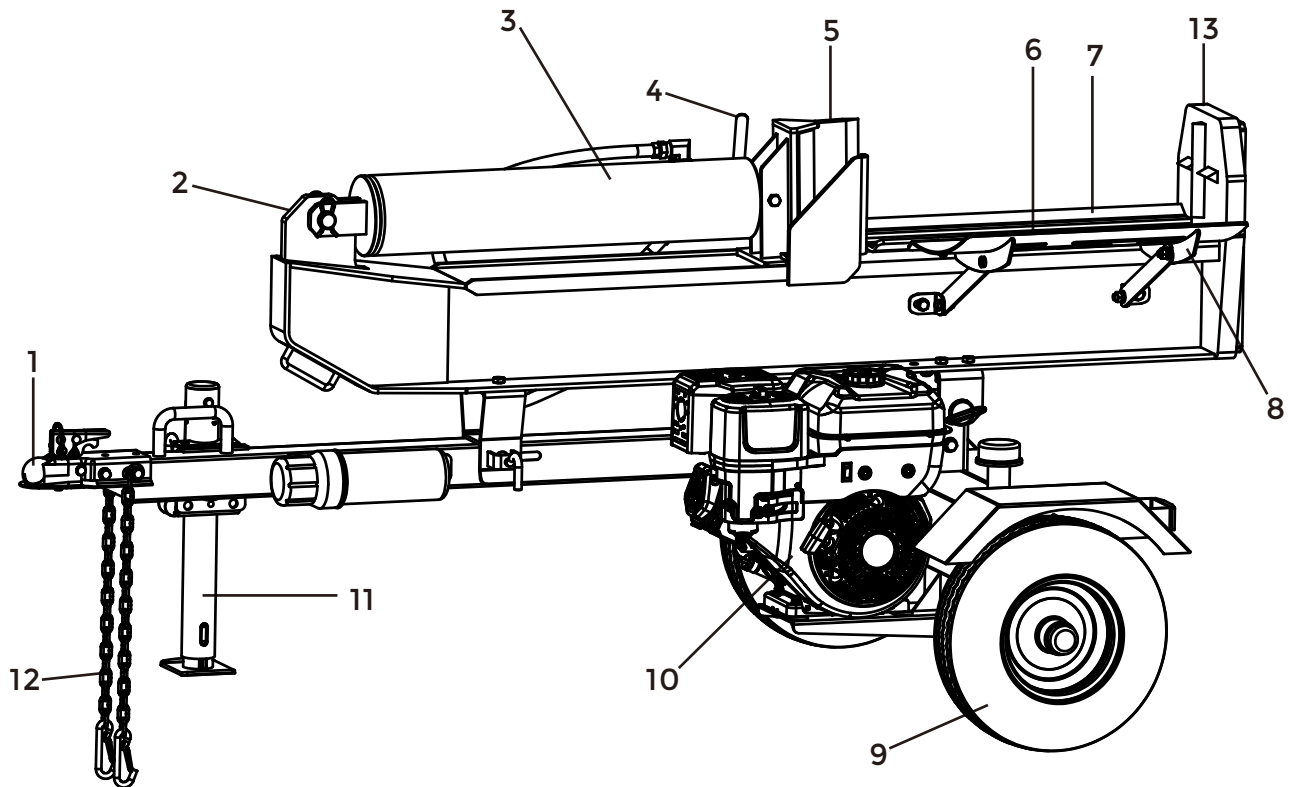
WARNING! Before starting and using this log splitter, read and follow all the on product labels and safety information contained in the Log Splitter and Engine manuals. Failure to follow all on product labels and manuals provided could result in death or serious injury to the operator or bystanders.

1. Be sure to confirm all hose connections and hose clamps are tight before each use. It is possible for connections to vibrate loose over time.
2. Never leave the machine unattended with the engine operating.
3. Never operate the machine when under the influence of alcohol, drugs or medication.
4. The machine owner shall instruct all operators to read and understand the Log Splitter and Engine manuals to ensure safe log splitter operation.
5. Always operate the log splitter with all safety equipment in place and all controls properly adjusted for safe operation.
6. Always operate the log splitter at manufacturer's recommended speed.
7. Always keep hands and feet clear of moving parts and partially split logs during the splitting operation.
8. When loading a ram-type log splitter, place your hands on the sides of the log, not the ends. Never place your hands or any part of your body between a log and any part of the log splitter.
9. On ram-type log splitters, never attempt to split more than one (1) log at a time unless the ram has been fully extended and a second log is needed to complete the separation of the first log.
10. On ram-type log splitters on which the logs are not cut square, the longest portion of the log should be rotated down and the most square end placed against the ram.
11. Only split logs with the grain of the wood.
12. Use only your hand to operate the log splitter controls.
13. Do not refuel until the engine has been turned off and cooled for at least 2 minutes. See engine manual provided for more information.

Maintenance and Storage

1. Always shut off the engine while repairing or adjusting the log splitter except as recommended by the manufacturer.
2. Clean debris and chaff from the engine cylinder, cylinder head fins, recoil starter cover, and muffler areas. Clean engine muffler spark arrestor and inspect it regularly, replace if damaged. See engine manual provided for more information.
3. Never store the unit indoors with fuel in the tank. Fumes might reach an open flame spark. Allow the engine to cool before storing in any enclosure.
4. Clear debris from movable parts, but only when the engine is shut off.
5. Check to be sure all nuts and bolts are tight to assure the equipment is in safe working condition.

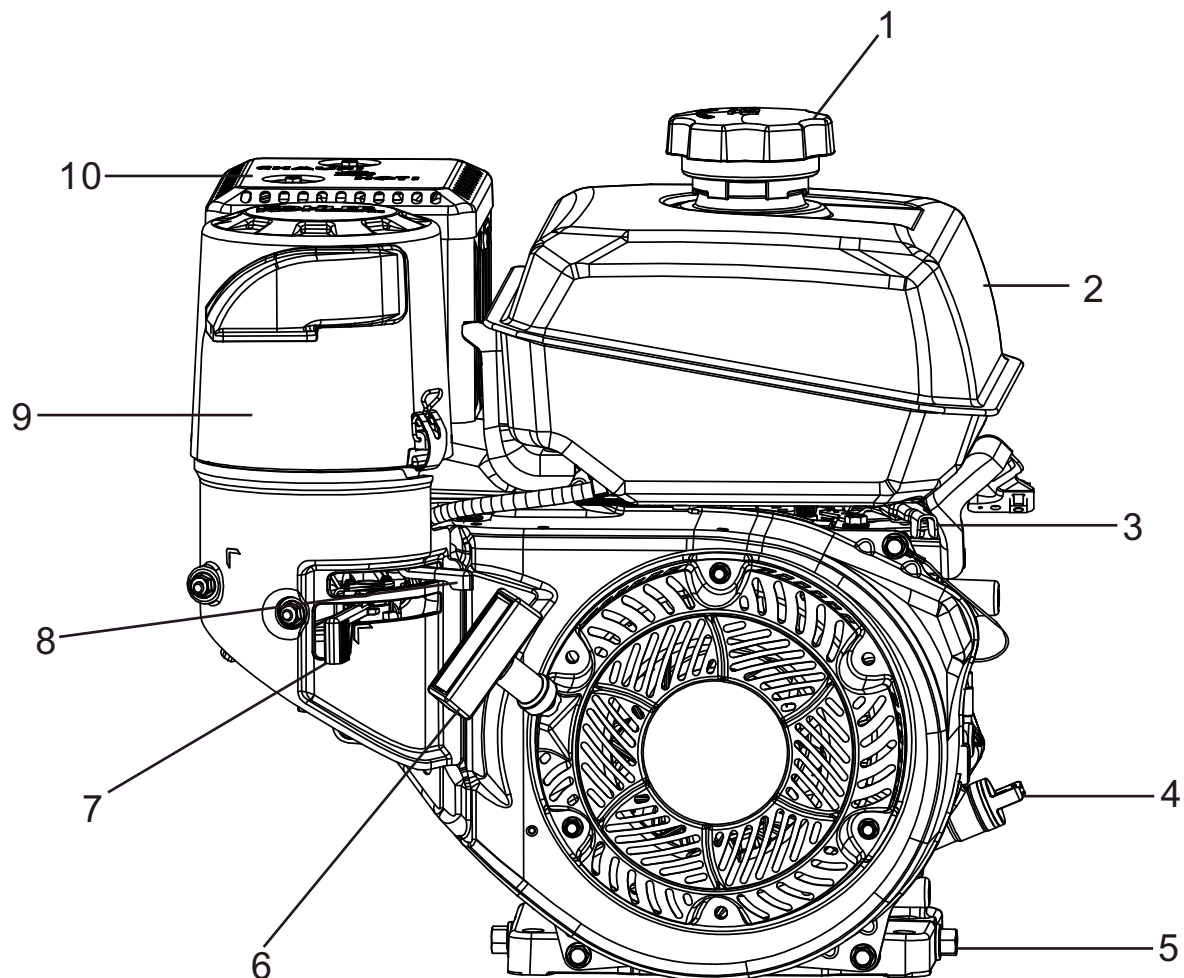
Log Splitter



1. **2 in. (5.1 cm) Ball Coupler** - For towing the log splitter behind your vehicle.
2. **Mounting Plates** - Holds hydraulic cylinder in place.
3. **Hydraulic Cylinder** - Converts hydraulic pressure into linear force.
4. **Control Valve Handle** - Controls the movement of the wedge slide.
5. **Wedge Slide**
6. **Beam**
7. **Log Cradle** - Prevents log from rolling off the beam.
8. **Log Catcher**
9. **Tires** - Maximum travel speed is 45 MPH (72 KM/H).
10. **277cc Kohler Engine**
11. **Support Leg** - Supports log splitter while operating. This leg is adjustable. Before using the unit, adjust this leg to make the machine horizontal. Raise leg for towing.
12. **Safety Chains with Hooks** - For use while towing.
13. **Foot Plate**

***We are always working to improve our products. Therefore, the enclosed product may differ slightly from the image on this page.**

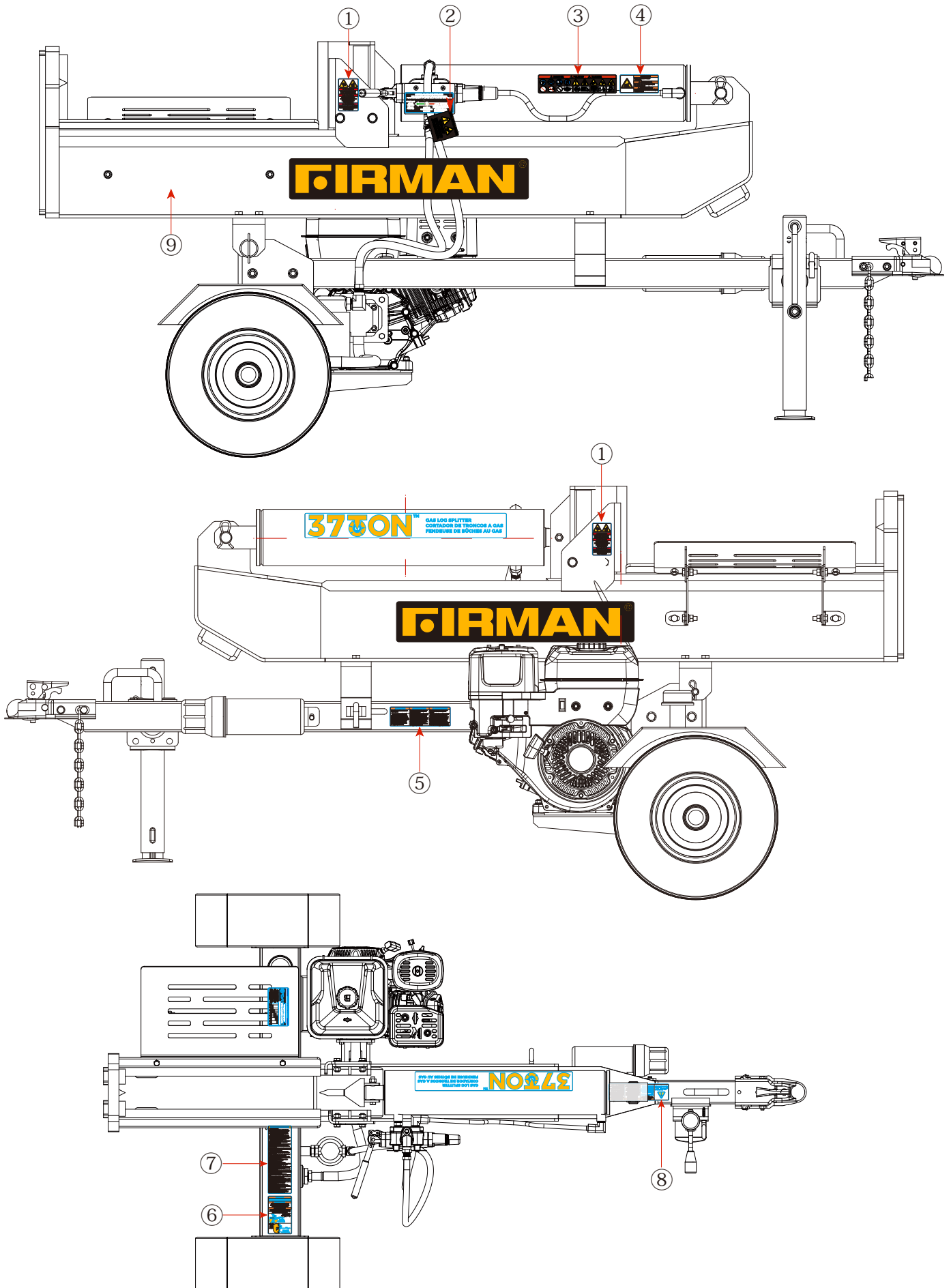
Engine



- 1. Fuel Cap
- 2. 1 Gal (3.8L) Fuel Tank
- 3. Throttle - Used to control the engine speed.
- 4. Oil Fill Cap/Dipstick - Used to check and fill oil level.
- 5. Oil Drain Bolt - Used to drain engine oil.
- 6. Recoil Starter - Used to manually start the engine.
- 7. Fuel Valve
- 8. Choke Lever - Used for cold engine starting.
- 9. Air Filter
- 10. Muffler

For more information see Engine manual provided.

FEATURES, CONTROLS AND ON -PRODUCT HAZARD LABELS



FEATURES, CONTROLS AND ON -PRODUCT HAZARD LABELS

①



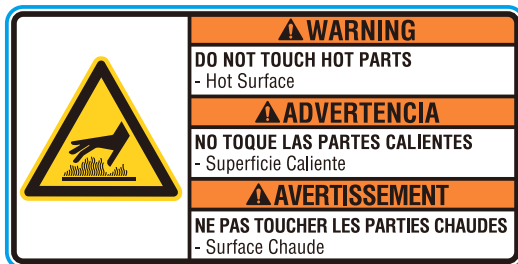
②



③



④



⑤

⚠ WARNING	⚠ ADVERTENCIA	⚠ AVERTISSEMENT
Before towing check that beam latch pin is completely locked.	Antes de enganchar el remolque, compruebe que el pasador de enganche de la viga está completamente bloqueado.	Avant de remorquer, vérifiez que la goupille de verrouillage de la poutre est complètement verrouillée.
<p>FOR RESIDENTS OF CALIFORNIA</p> <p>This product can expose you to chemicals including gasoline engine exhaust and lead and lead compounds, which are known to the State of California to cause cancer, and carbon monoxide, which is known to the State of California to cause birth defects or other reproductive harm. For more information go to www.P65Warnings.ca.gov.</p>	<p>PARA LOS RESIDENTES DE CALIFORNIA</p> <p>Este producto puede exponerlo a productos químicos, incluidos los gases del motor de gasolina, plomo y compuestos de plomo, que el estado de California reconoce como causantes de cáncer y el monóxido de carbono, que el estado de California reconoce como causante de defectos de nacimiento y otros daños reproductivos. Para obtener más información, visite www.P65Warnings.ca.gov.</p>	<p>POUR LES RÉSIDENTS DE LA CALIFORNIE</p> <p>Ce produit peut vous exposer à des produits chimiques et compris les gaz d'échappement des moteurs à essence, le plomb et les composés de plomb, qui sont connus dans l'Etat de California pour provoquer le cancer et le monoxyde de Carbone, connu dans l'Etat de California pour causer des malformations congénitales ou d'autres troubles de la reproduction. Pour plus d'informations, rendez-vous sur www.P65Warnings.ca.gov.</p>

FEATURES, CONTROLS AND ON -PRODUCT HAZARD LABELS

6

⚠ WARNING	
EQUIPMENT OPERATION SHALL ONLY BE PERFORMED IN THE DESIGNATED OPERATOR ZONE BY ONE PERSON	
⚠ ADVERTENCIA	
EL MANEJO DEL EQUIPO SÓLO PODRÁ SER REALIZADO EN LA ZONA DESIGNADA PARA EL OPERADOR Y POR UNA SOLA PERSONA	
⚠ AVERTISSEMENT	
L'UTILISATION DE L'ÉQUIPEMENT NE DOIT ÊTRE EFFECTUÉE QUE PAR UNE SEULE PERSONNE DANS LA ZONE RÉSERVÉE À L'OPÉRATEUR.	
<p>HORIZONTAL OPERATION USO HORIZONTAL FONCTIONNEMENT HORIZONTAL</p> <p>OPERATOR ZONE ZONA DE OPERACIÓN ZONE DE L'OPÉRATEUR</p>	<p>VERTICAL OPERATION USO VERTICAL FONCTIONNEMENT VERTICAL</p> <p>OPERATOR ZONE ZONA DE OPERACIÓN ZONE DE L'OPÉRATEUR</p>

7

OPERATING INSTRUCTIONS	
<ul style="list-style-type: none"> • SPLITTING LOGS <ol style="list-style-type: none"> 1. Ensure that the log splitter is on a stable, flat surface. 2. Start the engine and advance throttle to the maximum. 3. Position log onto the beam up against the foot plate. 4. Move the control handle toward the foot plate to extend the wedge or move the control handle away from the foot plate to retract the wedge. <p>NOTE: Always split log in the direction of the grain.</p> <ul style="list-style-type: none"> - Adding attachments to the log splitter. • IF LOG BECOMES STUCK ON WEDGE <p>A log can become stuck on wedge if the wedge becomes embedded in the log and the log doesn't split and separate. If this happens NEVER attempt to remove a stuck log by:</p> <ul style="list-style-type: none"> - Relying on the hydraulic force of the log splitter. - Adding attachments to the log splitter. • ALWAYS REMOVE THE LOG MANUALLY BY FOLLOWING THIS PROCEDURE: <ol style="list-style-type: none"> 1) Ram should be fully retracted. 2) Remove stuck log from wedge manually with a pry bar or sledge hammer. CAUTION: log pieces can fly off as they separate from the wedge. 3) DO NOT attempt to re-split a stuck log once it has been removed from wedge. 	
INSTRUCCIONES DE USO	
<ul style="list-style-type: none"> • ABRIENDO TRONCOS <ol style="list-style-type: none"> 1. Asegúrese de que la cortadora de troncos se encuentra sobre una superficie estable y plana. 2. Arranque el motor y ponga la marcha al máximo. 3. Coloque el tronco en la viga contra el reposapiés. 4. Mueva la palanca de control hacia el reposapiés para extender la cuña o aleje la palanca de control del reposapiés para retraer la cuña. <p>NOTA: Abra siempre el tronco en la dirección de la veta.</p> <ul style="list-style-type: none"> - Añadiendo accesorios a la cortadora de troncos. • SI EL TRONCO QUEDA ATASCADO EN LA CUÑA <p>Un tronco puede atascarse en la cuña si ésta se incrusta en el tronco y éste no se parte y separa. Si esto ocurre, NUNCA intente desmontar un tronco atascado.</p> <ul style="list-style-type: none"> - Utilizando la fuerza hidráulica de la cortadora de troncos. - Añadiendo accesorios a la cortadora de troncos. • SIEMPRE RETIRE EL REGISTRO MANUALMENTE SEGÚN EL SIGUIENTE PROCEDIMIENTO: <ol style="list-style-type: none"> 1) El cilindro debe estar totalmente retraído. 2) Retire manualmente el tronco atascado de la cuña con una palanca o un mazo. <p>PRECAUCIÓN: los trozos de tronco pueden salir volando al separarse de la cuña.</p> <ol style="list-style-type: none"> 3) NO intente volver a separar un tronco atascado una vez que se haya retraído de la cuña. 	
INSTRUCTIONS D'UTILISATION	
<ul style="list-style-type: none"> • FENDRE DES BÛCHES <ol style="list-style-type: none"> 1. Assurez-vous que le fendeur de bûches se trouve sur une surface stable et plane. 2. Démarrez le moteur et avancez la manette des gaz au maximum. 3. Placez la bûche sur la poutre, contre la plaque de base. 4. Déplacez la poignée de commande vers la plaque de pied pour étendre la cale ou éloignez la poignée de commande de la plaque de pied pour rétracter la cale. <p>REMARQUE: fendez toujours la bûche dans le sens du grain.</p> <ul style="list-style-type: none"> - Ajoutant des accessoires à la fendeuse de bûches. • SI LA BÛCHE RESTE COINCÉE SUR LA CALE <p>Une bûche peut rester coincée sur la cale si la cale s'incruste dans la bille et que celle-ci ne se fend pas et ne se sépare pas. Si cela se produit, ne tentez JAMAIS de retirer une bille coincée en:</p> <ul style="list-style-type: none"> - En vous fiant à la force hydraulique de la fendeuse de bûches. - Ajoutant des accessoires à la fendeuse de bûches. • RETIREZ TOUJOURS LA BÛCHE MANUELLEMENT EN SUIVANT CETTE PROCÉDURE: <ol style="list-style-type: none"> 1) Le vérin doit être complètement rétracté. 2) Retirez manuellement la bûche de la cale à l'aide d'un levier ou d'un marteau de forgeron. <p>ATTENTION: des morceaux de bûche peuvent s'envoler lorsqu'ils se séparent de la cale.</p> <ol style="list-style-type: none"> 3) N'essayez PAS de refendre une bûche coincée une fois qu'elle a été retirée de la cale. 	

8

	⚠ WARNING		⚠ ADVERTENCIA		⚠ AVERTISSEMENT	
	TO AVOID SERIOUS INJURY OR DEATH		PARA EVITAR LESIONES GRAVES O LA MUERTE		POUR ÉVITER DES BLESSURES GRAVES VOIRE LA MORT	
<p>MAX. 45 MPH (72 km/h)</p>	<ul style="list-style-type: none"> • Read the Operation Manual on how to attach the coupler to the hitch ball and how to tow safely. • Ensure the correct ball size is being used. • Do not exceed hitch ball or coupler load limits. • Attach and secure safety chains prior to towing. • Do not exceed max towing speed of 45 mph. • Avoid sharp turns and steep angles. • Check tightness of coupler before towing. • Replace hitch ball or coupler if damaged. 	<ul style="list-style-type: none"> • Lea el Manual de operación sobre cómo acoplar el acoplador a la bola de enganche y cómo remolcar con seguridad. • Asegúrese de que se está utilizando el tamaño de bola correcto. • No exceda los límites de carga de la bola de enganche o del acoplador. • Coloque y asegure las cadenas de seguridad antes de remolcar. • No exceda la velocidad máxima de remolque de 45 mph. • Evite giros cerrados y ángulos pronunciados. • Verifique el apriete del acoplador antes de remolcar. • Reemplace la bola de enganche o el acoplador si están dañados. 	<ul style="list-style-type: none"> • Lisez le manuel d'utilisation pour savoir comment attacher le coupleur à la boule d'attelage et comment remorquer en toute sécurité. • Assurez-vous que la bonne taille de balle est utilisée. • Ne dépassez pas les limites de charge de la boule d'attelage ou de l'attelage. • Fixez et sécurisez les chaînes de sécurité avant le remorquage. • Ne dépassez pas la vitesse de remorquage maximale de 45 mph. • Évitez les virages serrés et les angles raides. • Vérifiez le serrage du coupleur avant le remorquage. • Remplacez la boule d'attelage ou le coupleur s'ils sont endommagés. 			

9

MODEL: MODELO: MODÈLE:		GS3701		FIRMAN®	
SPECIFICATION ENGINE(cc): ESPECIFICACIONES DEL MOTOR(cc): SPÉCIFICATION DU MOTEUR(cc):		277 cc			
MAX SPLITTING FORCE: FUERZA MÁXIMA: FORCE DE FISSURATION MAX:		37 TON			
MAX SPLITTING LENGTH: LONGITUD MÁXIMA DE SEPARACIÓN: LONGUEUR DE FISSURATION MAX:		24 INCHES (610 mm)			
MAX SPLITTING DIAMETER: DIÁMETRO MÁXIMO DE SEPARACIÓN: DIAMÈTRE DE FISSURATION MAX:		18 INCHES (457 mm)			
CYCLE TIME: TIEMPO DE CICLO: DURÉE DU CYCLE:		14 S		NET WEIGHT: PESO NETO: POIDS NET:	
		595 LBS (270 KG)			
DOM: DOM: DATE FAB.:		SERIAL #: SERIAL #: NO SÉRIE:			
FIRMAN POWER EQUIPMENT INC. 8644 W. Ludlow Dr. Peoria, AZ 85381 1-844-347-6261					
Comply to ANSI Standard B71.7 Conforme con la norma ANSI B71.7 Conforme à la norme ANSI B71.7 Made in China / Hecho en China / Fabriqué en Chine					

FEATURES, CONTROLS AND ON -PRODUCT HAZARD LABELS

Parts Included

Part	Part Qty.	Hardware Needed	Hardware Qty.	Tool Needed
Manual Canister	1	Bolt M6*20	3	1*10mm wrench or socket
		Washer Φ 6	3	
Tow Bar	1	Bolt M12*110	2	1*18mm wrench or socket
		Washer Φ 12	4	
		Lock Washer Φ 12	2	
		Lock Nut M12	2	1*18mm wrench or socket
Fenders	2	Bolt M6*20	4	1*10mm wrench or socket
		Lock Nut M6	4	1*10mm wrench or socket
Wheels	2	Castle Nut	2	1*30mm open-end wrench
		Cotter Pin	2	Needle nose pliers
		Washer 3/4 in.	2	
		Axle Cap	2	Mallet & Cap tool
Beam	1	Bolt M12*35	6	1*18mm wrench or socket
		Washer Φ 12	6	
		Lock Washer Φ 12	6	
		Nut M12	6	1*18mm wrench or socket
		R Pin	1	
		Hinge pin	1	
Engine	1	Bolt M8*45	4	1*13mm wrench
		Base Mounting	4	
		Washer Φ 8	8	
		Lock Nut M8	4	1*13mm wrench or socket
Hydraulic Hose (Pump-Valve)	1			2*27mm open-end wrench
Oil Inlet Hose	1	Spring Loaded Hose Clamp		Clamp tool
Hydraulic Hose (Valve-Tank)	1			2*27mm open-end wrench
Log Catcher	1	Washer Φ 10	4	
		Lock Washer Φ 12	4	
		Bolt M10*30	4	1*16mm wrench or socket
		Screw M10*30	2	Cross srewdriver
		Nut M10	4	1*16mm wrench or socket

Accessories

- Engine Oil
- Hydraulic Oil
- Oil Funnel
- Spark Plug Wrench
- Teflon Tape

ASSEMBLY

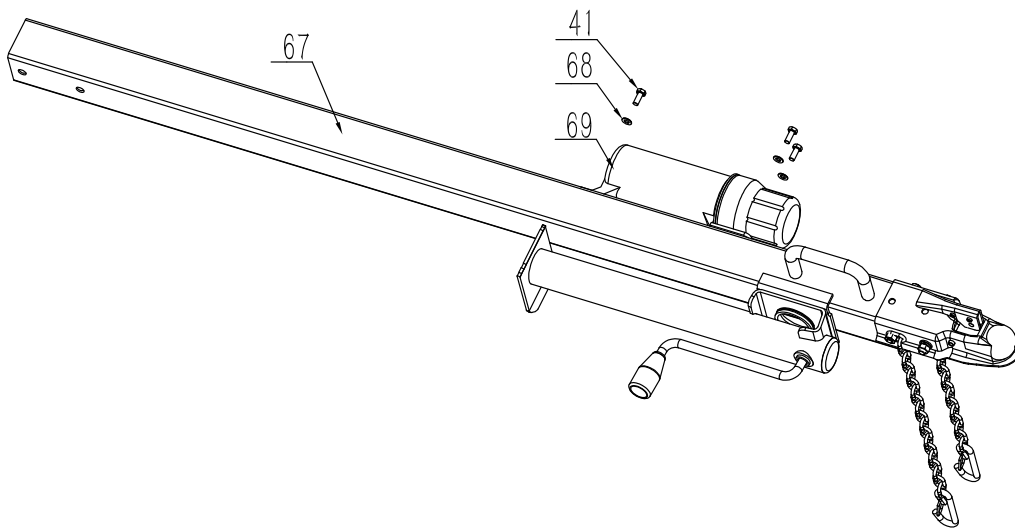
Your log splitter requires some assembly. If you have any questions regarding the assembly of your log splitter, call our help line at 1-844-347-6261. Please have your serial number and model number available.

Open Shipping Crate

1. Set the shipping crate on a solid, flat surface.
2. Carefully cut the shipping bands and remove lid of shipping crate.
3. Locate all hardware and components on GS3701 Parts Diagram and Parts List before beginning assembly.

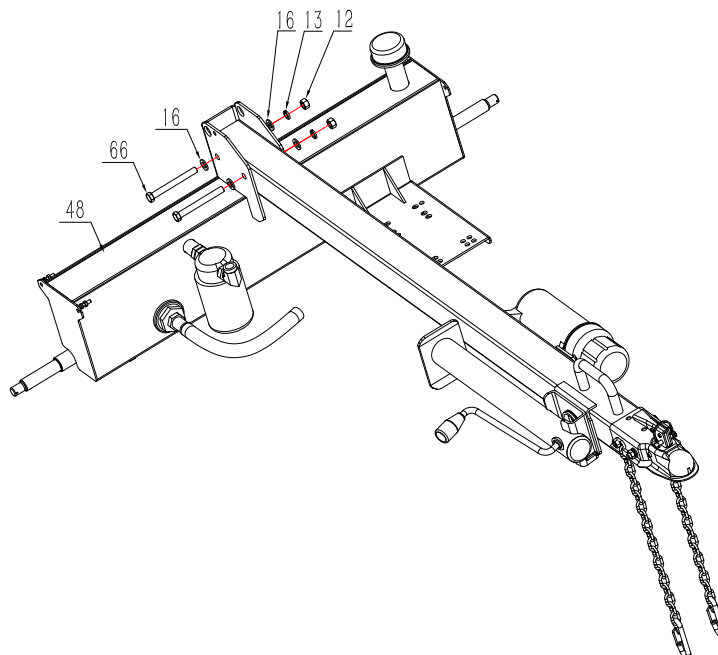
1. Install The Manual Canister

Attach the manual canister (69) to the tow bar (67) with three M6*20 bolts (41) and \varnothing 6 washers (68).



2. Install The Tow Bar

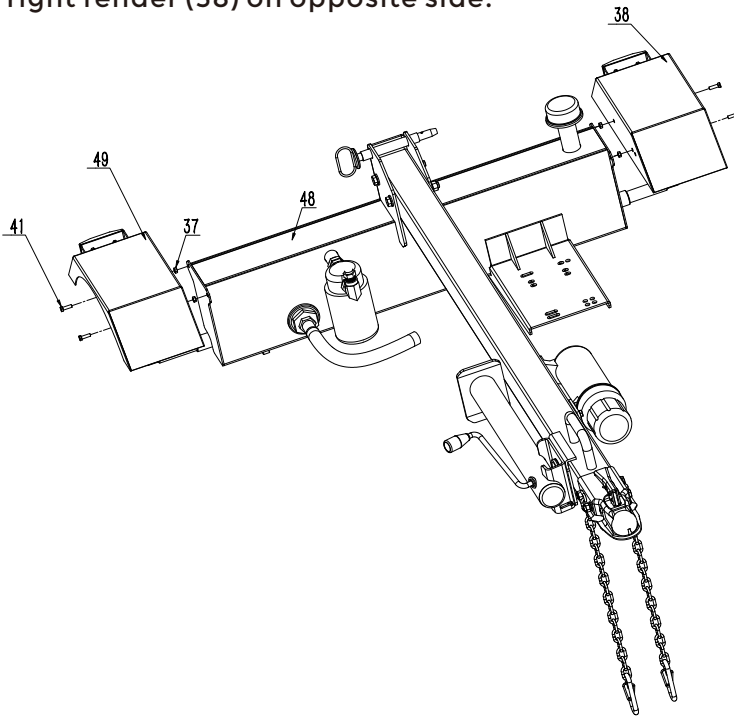
Attach the tow bar (67) to the bracket on top of the hydraulic oil tank (48) with two M12 * 110 bolts (66), \varnothing 12 lock washer (13), M12 nuts (12) and four \varnothing 12 washers (16).



ASSEMBLY

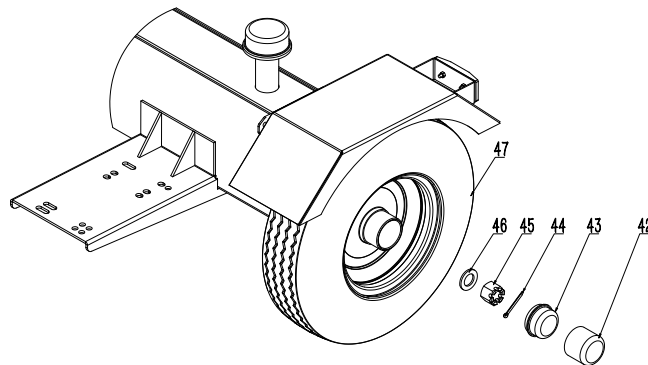
3. Install The Fenders

1. Attach the left fender (49) to the side of the hydraulic oil tank (48) with two M6 * 20 bolts (41) and M6 lock nuts (37). The safety reflector should be facing the back of the hydraulic oil tank (48).
2. Repeat with right fender (38) on opposite side.



4. Install the Wheels

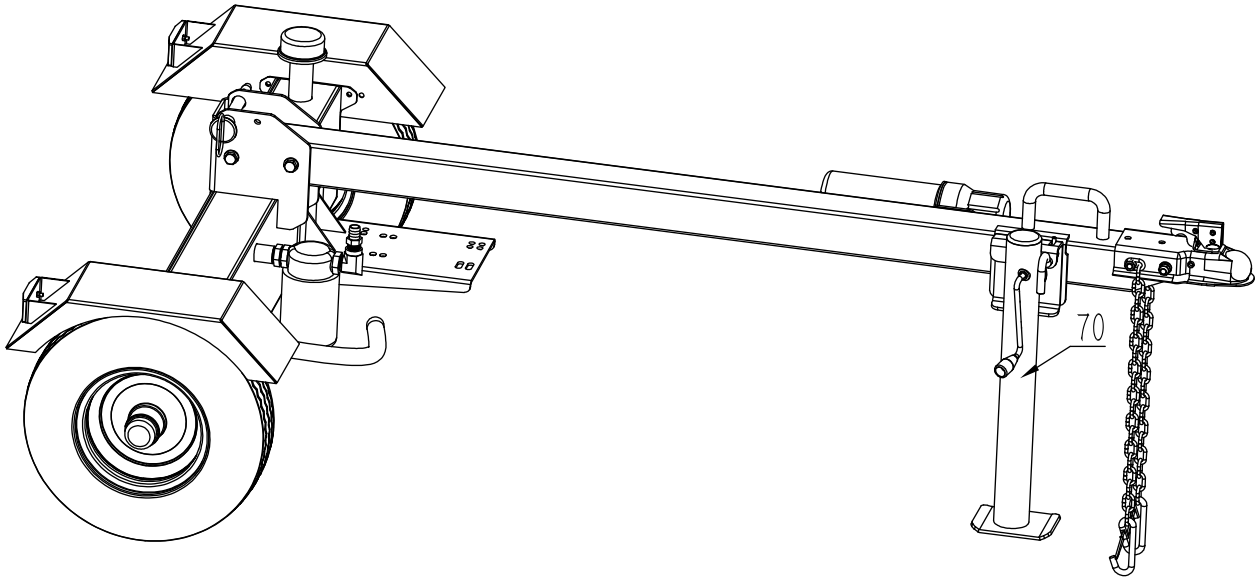
1. Remove disposable plastic spindle covers on axle ends and wheel bearing covers.
2. Slide wheel (47) on to the spindle with valve stem of tire facing outwards.
3. Install the 3/4 in. washer (46) onto the spindle.
4. Thread the castle nut 3/4 in. (45) onto the spindle. The castle nut should be driven down with a socket only tightly enough to eliminate the free-play of the wheel assembly and not tighter. Make sure that the wheel can freely rotate. The castle nut needs to be oriented to allow for the installation of the cotter pin (44).
5. Install the cotter pin (44) through the castle nut 3/4 in. (45) and spindle. Bend pin ends around spindle to secure its position.
6. Install the axle cap (43) using the cap tool (42). Gently tap on the cap tool (42) with a hammer to drive the axle cap (43) into place.
7. Repeat with wheel on opposite side.



NOTICE Keep dirt and debris away from the wheel bearings during assembly. Over-tightening the castle nut will cause the bearings to run hot and fail prematurely.

5. Install The Support Leg

Unplug the pin and rotate the support leg (70) down , reinsert the pin .



6. Install the Beam

1. Attach the locking device (19) to the beam (1) with two M12*35 bolts (17), \varnothing 12 washers (16), \varnothing 12 lock washer (13) and M12 nuts (12). As shown in Figure A.

2. Attach the connecting plate (18) to the beam (1) with four M12*35 bolts (17), \varnothing 12 washers (16), \varnothing 12 lock washer (13) and M12 nuts (12). As shown in Figure B.

NOTICE Please use the two below holes for installation. If using an 18 "wheel, please use the two above holes for installation.

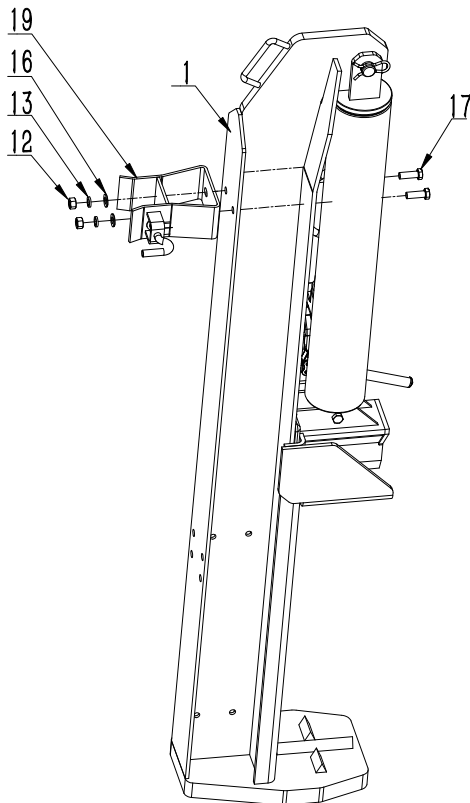


Figure A

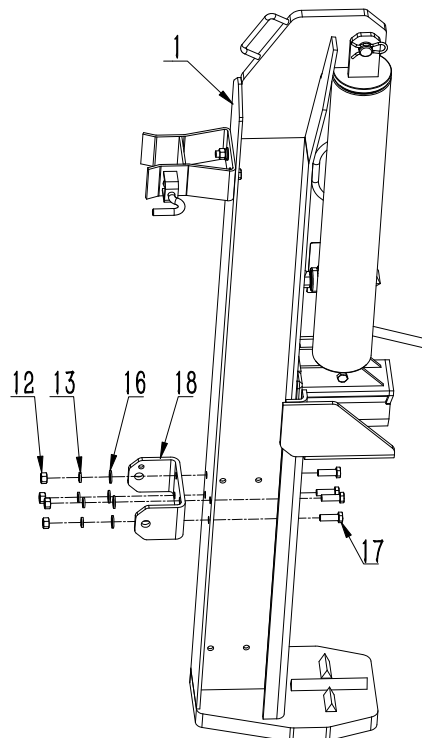
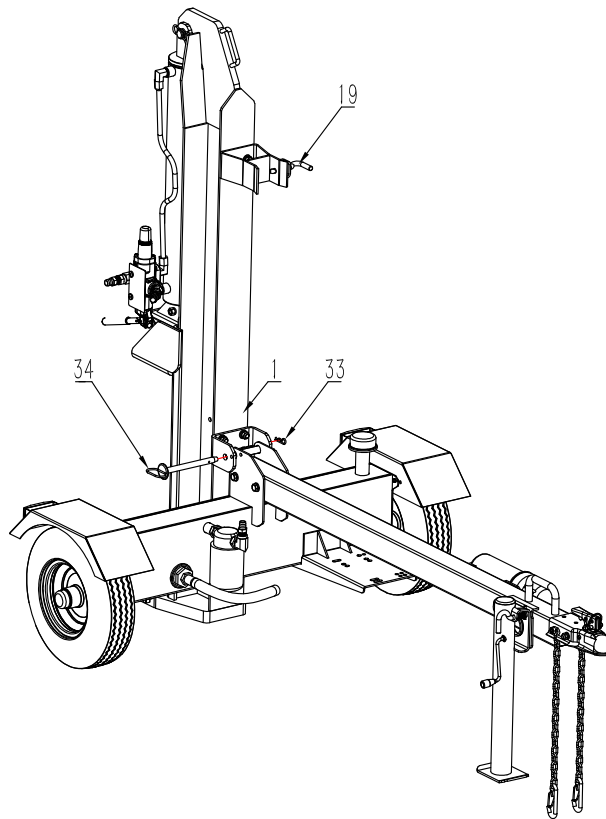


Figure B

ASSEMBLY

3. Stand the beam (1) vertical on the foot plate. Remove the R pin (33) and hinge Pin (34) from the assembled unit.
4. Slowly back the assembled unit up to the beam (1). Insert the hinge Pin (34) and secure with R pin (33).
5. Unplug the pin on the locking device (19), pivot the beam (1) to the horizontal position, reinsert pin (19).



WARNING! The beam is extremely heavy and shall only be handled with 2 or more people. To avoid muscle strain or back injury DO NOT try and lift or handle the beam without assistance.

NOTICE The pin (76) must move freely to be inserted or pulled.

-When in the vertical position, the location of the pin (76) is shown in figure C.

-When in the horizontal position, the location of the pin (76) is shown in figure D.

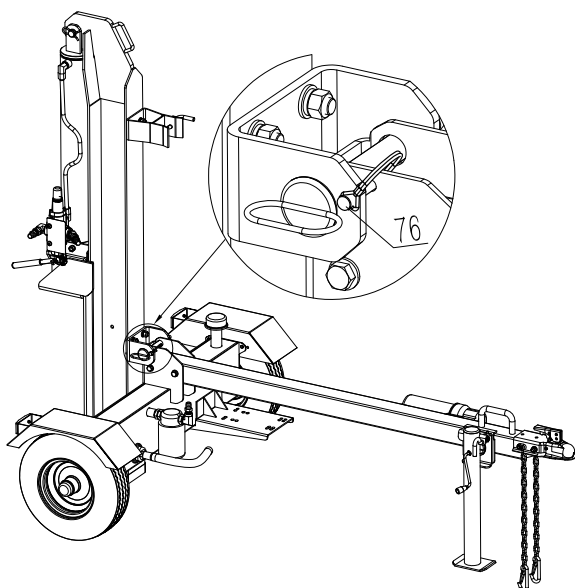


Figure C

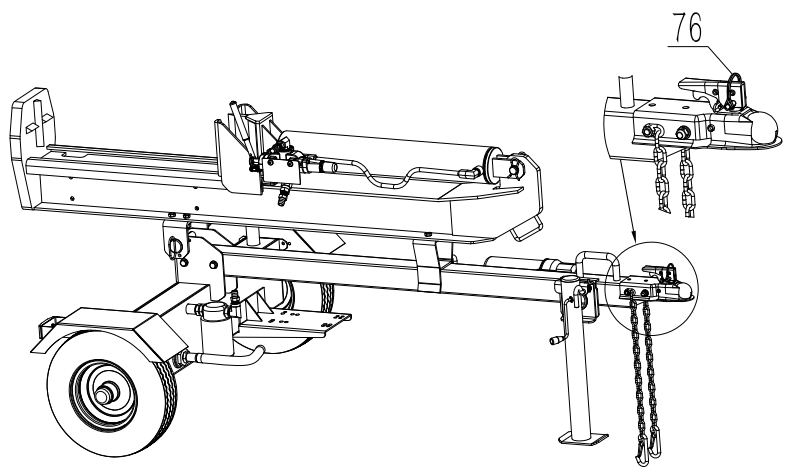


Figure D

7. Install The Engine

1. Place the engine (31) and base mounting (32) on the engine mounting platform with the recoil cover facing outward towards the wheel, and align the four holes on the engine base with the holes on the engine platform.
2. Install a M8*45 bolt (59), a Ø8 washer (60) up through the hole on the engine platform and through the hole on the engine base.
3. Place a Ø8 washer (60) on the M8*45 bolt (59) and thread a M8 lock nut (21) onto the bolt and tighten securely. Tighten to 5.9 lbf-ft - 7.4 lbf-ft (8-10 N.m) or fully.
4. Repeat steps 2 and 3 for the remaining bolts, washers and lock nuts. As shown in Figure E.

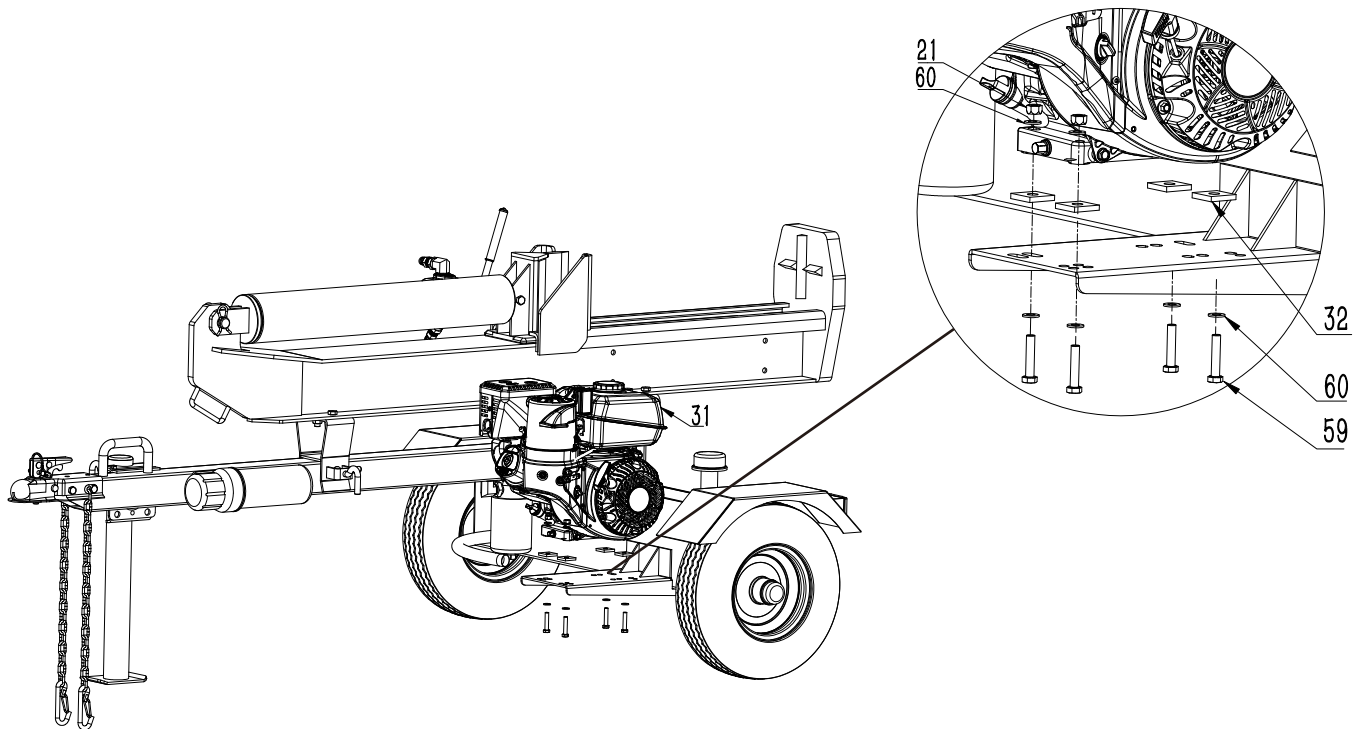


Figure E

8. Install the Hoses

NOTICE Shipping plugs must be removed from hydraulic pump prior to installing hoses.

The operating handle of the hydraulic valve may be tied during transportation, and the straps need to be removed before installing the cylindrical pin(7.8) and pin(7.4).

NOTICE Pump-Valve Hydraulic Hose(High Pressure) and Valve-Tank Hydraulic Hose(Low Pressure)
Some hoses may be preassembled by the factory, check your hoses per below instructions to ensure proper assembly.

- These hoses are black and have swivel nuts on both ends.
- The Pump-Valve Hydraulic Hose sends hydraulic oil from the pump to the control valve.
- The Valve-Tank Hydraulic Hose returns hydraulic oil from the control valve to the hydraulic oil tank.

Oil Inlet Hose

- This is the clear hose that connects the hydraulic oil tank to the pump inlet.
- Secure both ends of hose with hose clamps.

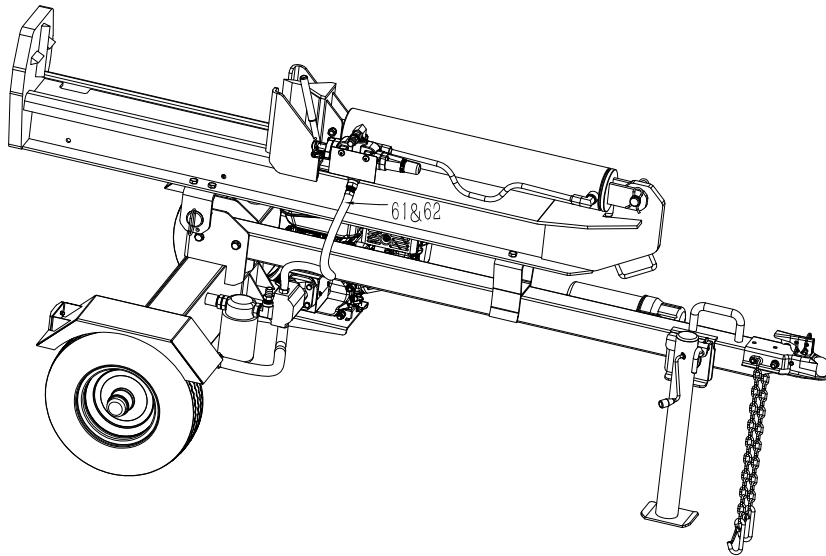
ASSEMBLY

Hydraulic Hose (Pump-Valve)

Connect the pump-valve hydraulic hose with sheath (61&62) to the pump outlet first, then the valve inlet.

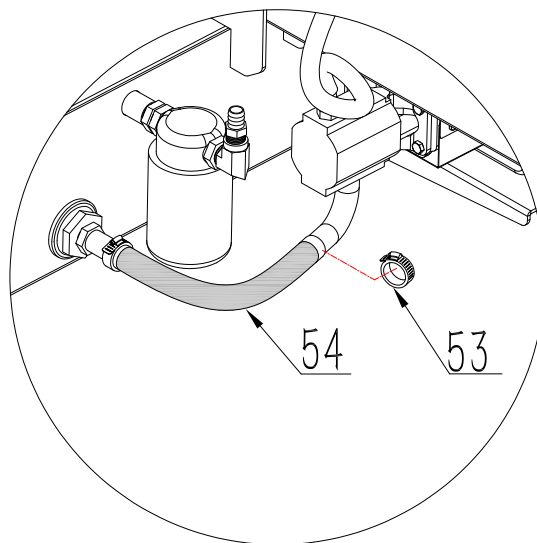
NOTICE Prior to assembly apply the teflon tape provided to the pump end only of the pump-valve hydraulic hose threads (61). Teflon tape should be wrapped in the same direction as the threads. As you wrap the Teflon tape, move the tape to cover new threads and overlap half of the piece below it. When you reach the end of the threads pull the tape tightly to break it off the roll. Wrap the threads a total of two to three times before assembly.

Securely tighten both ends of the high pressure hydraulic hose with two 27mm open-end wrenches. Tighten to 44 lbf-ft - 52 lbf-ft (60-71 N.m).



Oil Inlet Hose

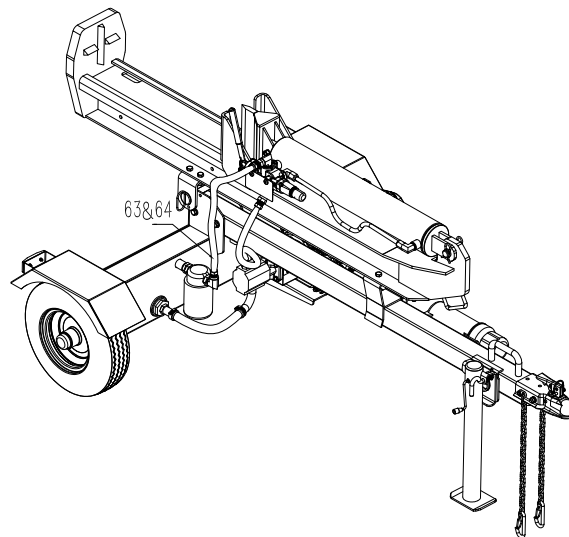
Using the provided hose clamps, attach oil inlet hose (54) to hydraulic pump. Securely tighten the clamp (53) on the end of the oil inlet hose (54) with either a flat head screw driver. Torque to 2.9 lbf-ft - 4.4 lbf-ft (4-6 N.m).



Hydraulic Hose (Valve-Tank)

Connect the valve-tank hydraulic hose with sheath (63&64) to the oil return filter first, then the valve outlet.

NOTICE Prior to assembly apply the teflon tape provided to the oil return filter end only of the valve-tank hydraulic hose threads (63). Teflon tape should be wrapped in the same direction as the threads. As you wrap the Teflon tape, move the tape to cover new threads and overlap half of the piece below it. When you reach the end of the threads pull the tape tightly to break it off the roll. Wrap the threads a total of two to three times before assembly. Securely tighten both ends of the hydraulic hose with two 27mm open-end wrenches to 52 lbf-ft - 66 lbf-ft (71-90 N.m).

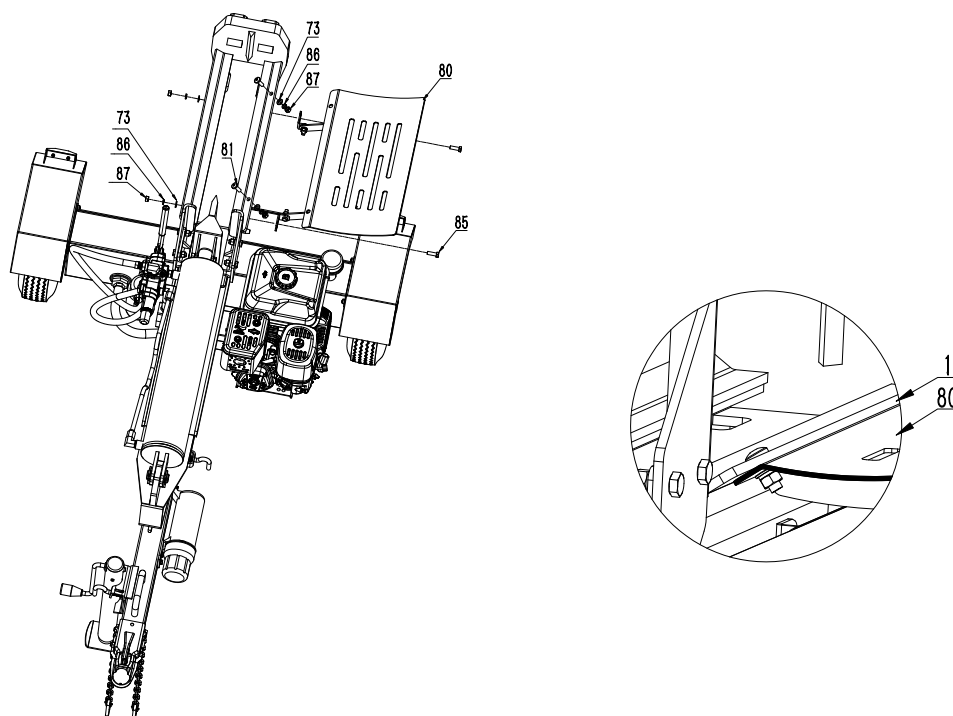


9. Install the Log Catcher

1. With the log catcher (80) angled upward, align the four holes on the log catcher with the four threaded holes on the splitter beam.

2. Place \varnothing 10 washers (73) and \varnothing 10 lock washers (86) onto the two M10*30 bolts (85) onto the M10*30 screws (81). Thread them through the holes on the log catcher (80) and into the holes on the splitter beam and tighten securely.

NOTICE The log catcher (80) should be installed on the lower side of the log cradle of the beam (1).



OPERATION

1. Location

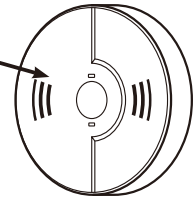


DANGER! Engine exhaust contains carbon monoxide, a poisonous gas that could kill you in minutes. You **CANNOT** smell it, see it, or taste it. Even if you do not smell exhaust fumes, you could still be exposed to carbon monoxide gas.

- Operate log splitter only outdoors and downwind at least 20 ft.(6 m) from occupied spaces with exhaust pointed away to reduce the risk of carbon monoxide accumulating.
- Install battery-operated carbon monoxide alarms or plug-in carbon monoxide alarms with battery back-up according to the manufacturer's instructions. Smoke alarms cannot detect carbon monoxide gas.
- Do not run this log splitter inside homes, garages, basements, crawlspaces, sheds, or other partially enclosed spaces even if using fans or opening doors and windows for ventilation. Carbon monoxide can quickly build up in these spaces and can linger for hours, even after this product has shut off.
- If you start to feel sick, dizzy, weak or your home's carbon monoxide alarm sounds, get to fresh air right away. Call emergency services. You may have carbon monoxide poisoning.

Carbon Monoxide Alarm(s)

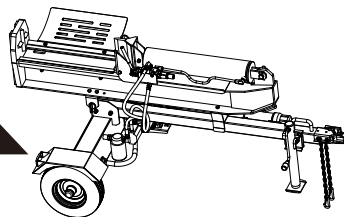
Install carbon monoxide alarms inside your home. Without working carbon monoxide alarms, you will not realize you are getting sick and dying from carbon monoxide poisoning.



20 ft. (6 m) min.

Prevent Carbon Monoxide (CO) Poisoning

Use outdoors and downwind at least 20 ft. (6 m) from any home. Point exhaust away from all homes and occupied spaces. Install CO alarms inside your home.

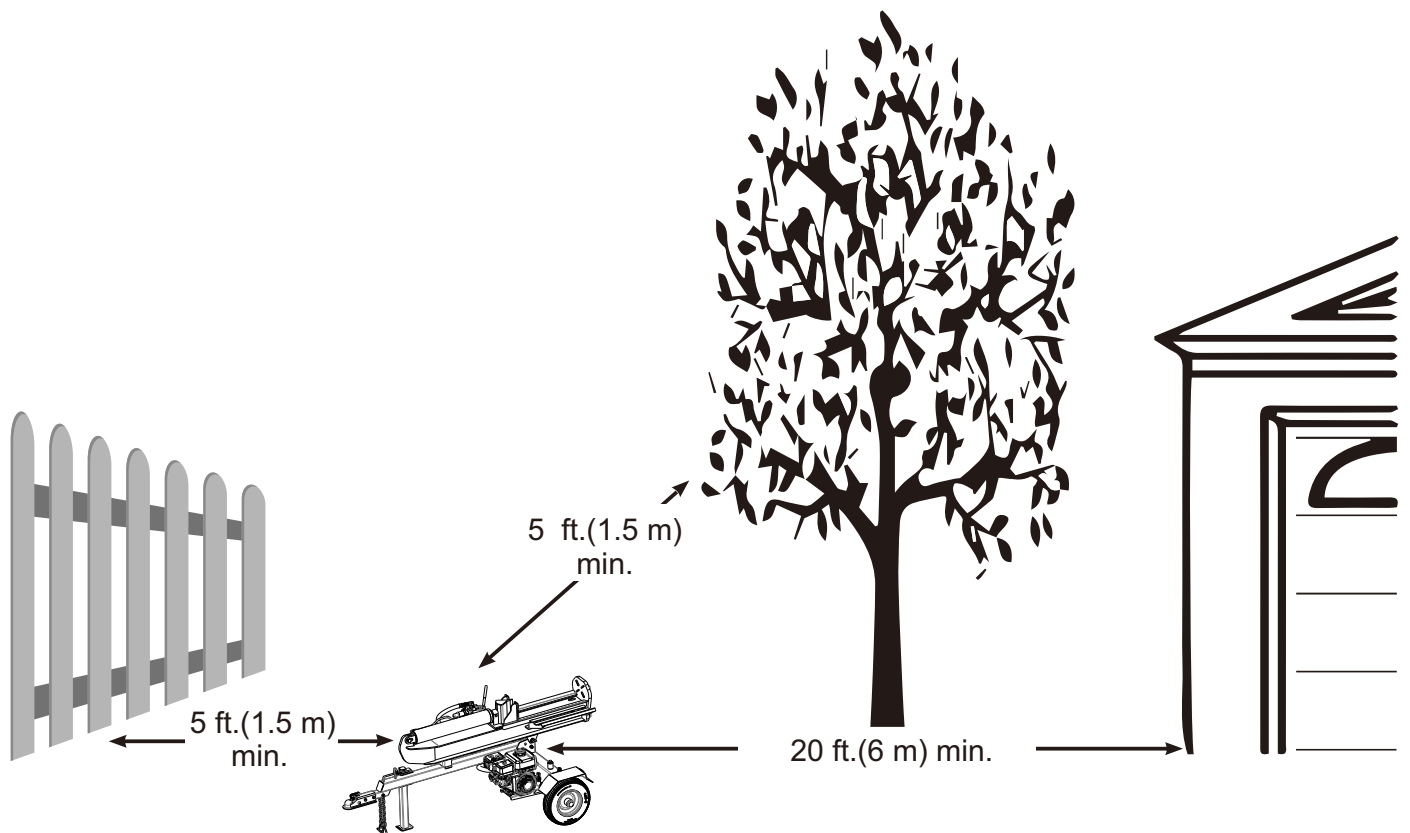


Reduce Risk of Fire



WARNING! Exhaust heat/gases could ignite combustibles, structures or damage fuel tank causing a fire, resulting in death or serious injury.

- Keep log splitter at least 5 ft. (1.5 m) from any structure, trees or vegetation over 12 in. (30 cm) in height.
- Select an outdoor site that is dry and protected from the weather. Do not move log splitter indoors to protect it from the weather.
- Do not locate the log splitter under a deck or other similar structure that may confine heat and airflow.



OPERATION

2. Oil and Gasoline

Add Engine Oil

1. Place log splitter on a flat, level surface.
2. Using oil funnel provided
3. See engine manual provided for instructions.

Oil Sentry™

The engine is equipped with Oil Sentry™ a switch designed to prevent engine from starting in a low oil or no oil condition. Oil Sentry™ may not shut down a running engine before damage occurs. See engine manual provided for more information.

Add Gasoline



WARNING! Fuel and its vapors are extremely flammable which could cause burns or fire resulting in death or serious injury.

- Turn engine OFF and let it cool at least 2 minutes before removing fuel cap.
- Do Not refuel or move log splitter when engine is running.
- Move log splitter outdoors prior to adding or draining fuel.
- Keep fuel away from any ignition sources.
- Do not overfill tank, allow space for fuel expansion.
- If any fuel spills, wait until it evaporates before starting engine.
- Check and replace fuel lines, tank, cap, and fittings prior to each use if any damage or leaks are found.

See engine manual provided for filling instructions, fuel requirements, fuel line, and safety information.

OPERATION

Before Each Use Inspect the Log Splitter



WARNING! Before operating or using the log splitter, read and follow the instructions below and all safety information. Failure to follow these instructions could result in death or serious injury.

- ALWAYS use the log splitter for its intended use.
 - ONLY use the log splitter to split wood logs, length wise with the grain.
 - NEVER modify, alter or change the log splitter in any way, modifications will void the warranty.
 - NEVER attach a rope, cable or other device to the control lever on the log splitter.
 - Only operate the log splitter in daylight or good artificial light.
 - NEVER leave the log splitter unattended while the engine is running.
 - DO NOT change the splitting position with the engine running. Contact with the muffler can cause serious burns.
 - ALWAYS make sure the beam is in the locked position.
 - DO NOT let the beam drop as it could crush fingers or cause damage to the log splitter.
 - NEVER operate or let anyone else operate, the log splitter while under the influence of alcohol, drugs, or medication.
1. Check the hydraulic oil level and visually inspect all hoses, attachments and cylinder for loose fittings, leaks, cracks, fraying or other damage.
 2. DO NOT operate the log splitter if there is any indication of damage.
 3. Inspect the engine and make sure the oil level is correct before operating. Clean and Inspect the spark arrestor regularly (follow all engine manual scheduled maintenance instructions).
 4. The tires need to be fully inflated and in good repair. Reference the tire sidewall for recommended tire pressure.

WARNING! Before towing the log splitter, read and follow the instructions below and all safety information. Failure to follow these instructions could result in death or serious injury.

- Making sure the Log Splitter is securely attached to the vehicle is the responsibility of the owner/operator.
- Failure to securely attach the Log Splitter can cause loss of control of the vehicle or the log splitter being separated from the towing vehicle.
- Move the fuel shutoff to “OFF” before towing the log splitter.
- DO NOT over inflate tires. Serious injury can result if tires fail.
- DO NOT tow the log splitter if the tires are worn or will not hold air.
- DO NOT exceed the maximum 45 MPH (72 KM/H) towing speed and check local, state, and federal requirements before towing on any public road.
- Always use safety chains. Secure and lock the log splitter to the vehicle hitch before moving.
- Drive safely. Be aware of the added length of the log splitter. When backing up, using a spotter outside the vehicle is recommended.
- Never ride or transport cargo on the log splitter.
- Turn off the vehicle before leaving the log splitter unattended.
- Block the log splitter wheels to prevent unintended movement.
- ALWAYS disconnect your log splitter from the towing vehicle before operating it.

Transporting the Log Splitter

1. Lower the beam to its horizontal position. Make certain the beam is locked securely with the horizontal beam pin.
 2. Change the Jack Stand to transporting position.
 - a) Pull out the support leg pin .
 - b) With the help of another person, Support the Tow Bar and pivot the support leg up to the transporting position.
 - c) Secure with the support leg pin previously pulled out.
 3. Pull the Latch Assembly on the Receiver up and into the open position. Position the Receiver of the Log Splitter over and onto the tow vehicle's 2" (51 mm) tow ball.
 4. Close the Latch Assembly on the Receiver to lock it onto the Tow Ball. Attach the towing Safety Chains to the tow vehicle ensuring there is enough slack for turning.
- NOTICE** When attaching the Safety Chains, Attach the left chain to the right anchor of the tow vehicle and the right chain to the left anchor of the tow vehicle so that the Safety Chains cross each other under the Ball Hitch.
5. Insert the pin(76) into the hole in the Latch Assembly.

Changing Beam from Horizontal to Vertical Orientation

When logs are too heavy to lift, the log splitter beam can be changed to the vertical orientation. Always allow the log splitter to cool completely before changing from horizontal to vertical orientation.

To change from horizontal to vertical orientation:

1. Remove horizontal beam pin that locks the beam to the tow bar (figure A).
2. Standing alongside the hydraulic cylinder, (opposite side from the engine) firmly grasp the handle on the beam and lift upward while pushing the beam back until upright. Once the beam is upright lock the beam (figure B).

WARNING! The beam is extremely heavy and shall only be handled with 2 or more people. To avoid muscle strain or back injury, DO NOT try and lift or handle the beam without assistance.

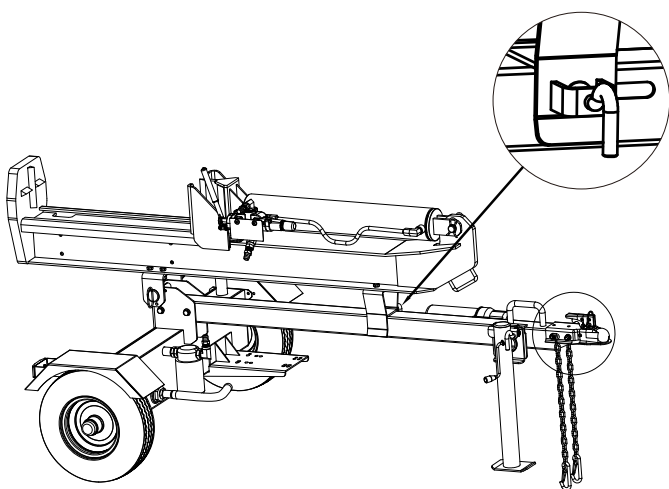


Figure A

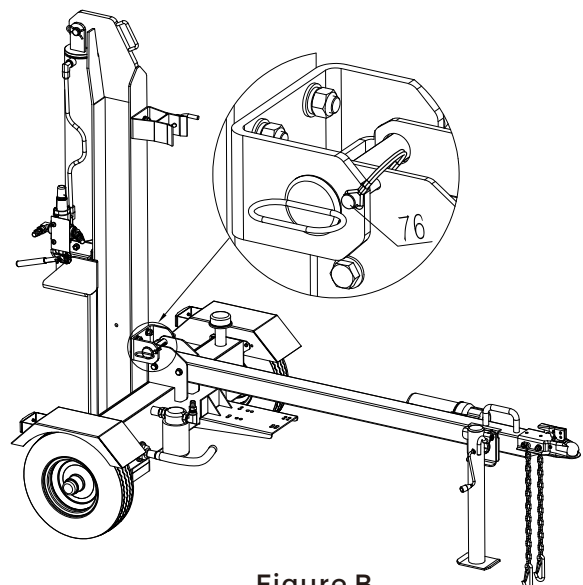


Figure B

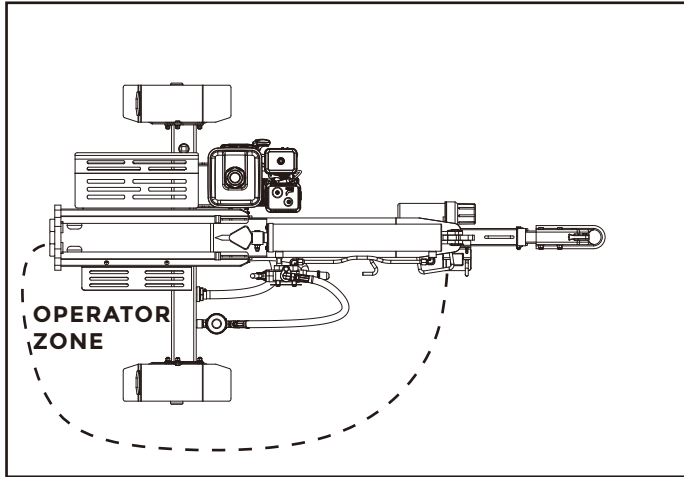
To change from vertical to horizontal orientation, reverse steps.

OPERATION

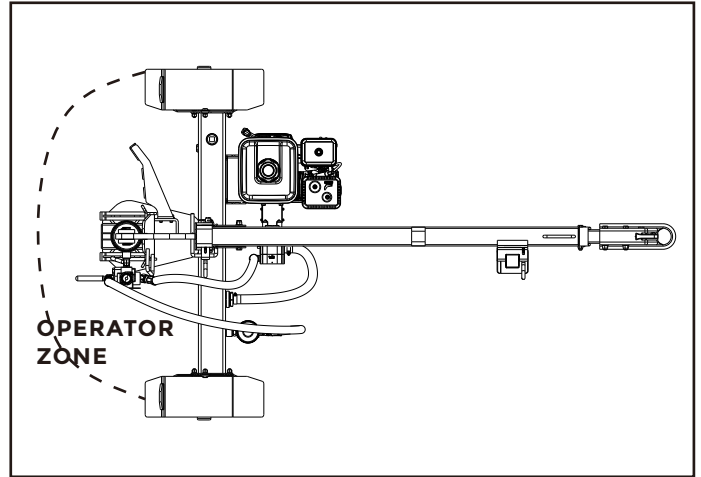
Starting the Engine

The log splitter must have at least 5 feet of clearance from combustible material. The log splitter needs to be on a dry and level surface with good footing. Do not work in mud, ice, brush or snow. When using the log splitter the operator zone must be maintained at all times.

Only operate log splitter from operator zone shown below.

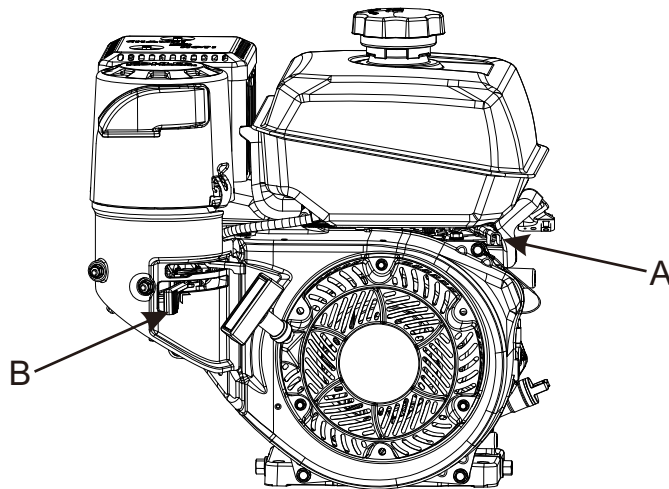


Horizontal



Vertical

1. Before using the log splitter, check for loose or missing parts and for any damage which may have occurred during shipment. Ensure spark plug, muffler, fuel cap, and air cleaner are all in place.
2. Move log splitter outdoors to safe operating location downwind and at least 20 feet from any occupied spaces.



See engine manual provided for engine starting and stopping instructions, cold weather starting hints, angle of operation, engine speed, high altitude operation and safety information. Always ensure that the Fuel Valve is in the "OFF" position when the engine is not in use.

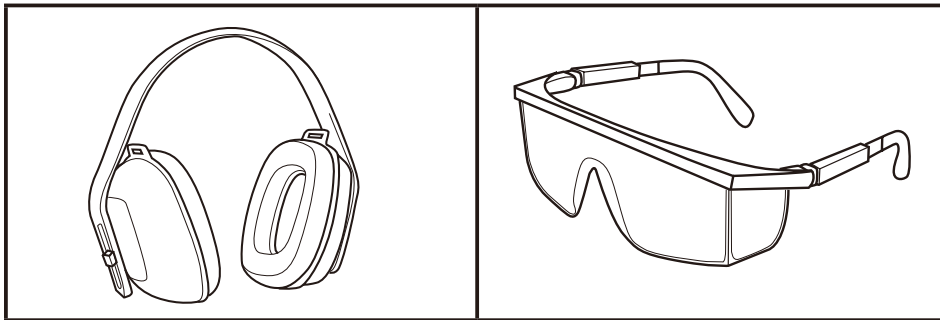
Stopping the Engine

1. Move throttle control (A) to slow position.
2. Move the fuel valve (B) to the "OFF" position.

Always ensure that the Fuel Valve is in the "OFF" position when the engine is not in use. See engine manual provided for more information.

Log Splitter Operation

1. ALWAYS wear eye and ear protection, safety shoes or heavy boots, gloves, and protective clothing.



2. Block tires and ensure support leg is secure to prevent unintended movement of the log splitter during operation.

3. Set log splitter in either the horizontal or vertical position.

NOTICE HORIZONTAL position is used for lighter logs that can easily be loaded onto the beam. VERTICAL position is used for light logs as well as heavy logs that are difficult to load onto the beam. Back injury can result from lifting logs onto the log splitter if proper lifting techniques are not used.

4. Load a log onto the beam against the foot plate (MAX LOG LENGTH - 24 in. [61 cm]).

5. Make sure all limbs are clear of crush zones.

6. Push the control valve handle forward (towards the foot plate) to split the log.

7. Push the auto control valve handle backward to return the wedge to its original position.

8. Clear the split wood from the operator zone.

- It is normal for the hydraulic fluid to appear foamy/frothy during operation.
- If a log gets stuck, embedded or will not split completely, push the control handle in the reverse direction and allow the log splitter to strip the log from the wedge.
- ALWAYS keep hands clear of the log and wedge while it is retracting.
- The hydraulic cylinder stroke is designed so the wedge slide stops approximately 1.2 in.(3 cm) from the foot plate.

Maintenance - Storage

MAINTENANCE SCHEDULE – Log Splitter

Follow the service intervals indicated in the following maintenance schedule.

Service your log splitter more frequently when operating in adverse conditions.

Contact our Technical Support Team at 1-844-347-6261 to locate the nearest FIRMAN service dealer for your log splitter maintenance needs.

EVERY 8 HOURS OR DAILY

- Check engine oil level – see engine manual provided
- Check hydraulic oil level
- Clean around air intake and muffler and remove any debris

ENGINE MAINTENANCE INSTRUCTIONS

- See engine manual for engine maintenance schedule.

FIRST 50 HOURS OR EVERY YEAR

- Change hydraulic oil filter.

EVERY 100 HOURS OR EVERY YEAR

- Change hydraulic oil
- Change hydraulic oil filter
- Inspect wheel bearings and repack bearing grease as needed.

General Recommendations

Regular maintenance will improve the performance and extend the life of the log splitter. See any authorized FIRMAN dealer for service.

The log splitter and engine warranties do not cover items that have been subjected to operator abuse or negligence. To receive full value from the warranties, the operator must maintain the log splitter as instructed in the log splitter and engine manuals.

Some adjustments will need to be made periodically to properly maintain your log splitter.

Follow all service requirements in both this manual and the engine manual provided.

Changing the Hydraulic Oil and Oil Filter

WARNING! Always shut off the engine, disconnect the spark plug, and relieve system pressure before cleaning, adjusting, or servicing the log splitter. Relieve system pressure by moving control valve handle back and forth several times.

Change the hydraulic oil filter after the first 50 hours of use. Then every 100 hours or annually.

1. Begin with the cylinder retracted and the engine “OFF.”
2. Turn the fuel valve “OFF.”
3. Release any stored pressure by moving the control valve handle forward and backward several times.
4. Place a 6.8 gal. (25.8 L) container under the hydraulic tank. Make sure it is large enough to hold the contents of the tank.

Long Term Storage

If the log splitter will not be used for more than 60 days, prepare it for long term storage as follows:

1. Retract the wedge to protect the rod from corrosion.
2. Never store the machine with fuel in the fuel tank inside a building where ignition sources are present.
3. For engine follow storage instructions found in the engine manual provided.
4. Before storing the log splitter, stop the engine, wait at least five minutes to allow all parts to cool.
NOTICE The use of a pressure washer or a garden hose to clean the log splitter is not recommended. The use of water will result in corrosion, shortening life and reducing serviceability.
5. Check the wedge slide for nicks and wear. Sharpen if needed.
6. Apply a rust preventative (oil film or equivalent) to any bare metal areas on the wedge slide and on top of the beam.
7. Using a soft bristle brush, clean the exterior of the unit removing all dirt, grease, or other foreign material. Remove dirt and debris from the cylinder head cooling fins and muffler area.
8. To prevent rust, touch up painted surfaces if scratched or chipped.
9. Be sure all hoses, nuts, bolts, and screws are securely fastened.
10. Store the log splitter in a dry, protected place. If it is necessary to store outside, cover it with a tarp of similar protective material (especially the Engine). Avoid storage near corrosive materials.

Troubleshooting - Specifications

Problem	Solution
Engine issue	See engine manual troubleshooting section
Cylinder rod will not move.	A,C
Slow cylinder rod speed when extending or retracting	A,B,C,F
Log will not split or splits extremely slowly	A,B,C,D,F
Valve will not stay in detent or will not kick out of detent position	E
Engine bogs down during splitting	This is normal
Engine stalls under low load condition	I
Engine will not start	See engine manual/ low oil level
Engine is difficult to turn over and will not start when cold	G
Engine runs but cylinder does not move	C,H
Cause	Solution
A-Insufficient oil to pump	Check oil level in reservoir
B-Air in oil	Check oil level in reservoir
C-Blocked hydraulic lines	Check for restriction
D-Damaged control valve	Return control valve for authorized repair
E-Detent setting incorrect	Remove plastic cap on valve and adjust detent kick out pressure
F-Internally damaged cylinder	Return cylinder for authorized repair
G-Cold ambient temperature	Cold weather can result in slow hydraulic cylinder operation.Change to recommended hydraulic oil.
H-Broken pump / Engine coupler	Check and replace coupler
I-Defective pump or engine	Contact service center

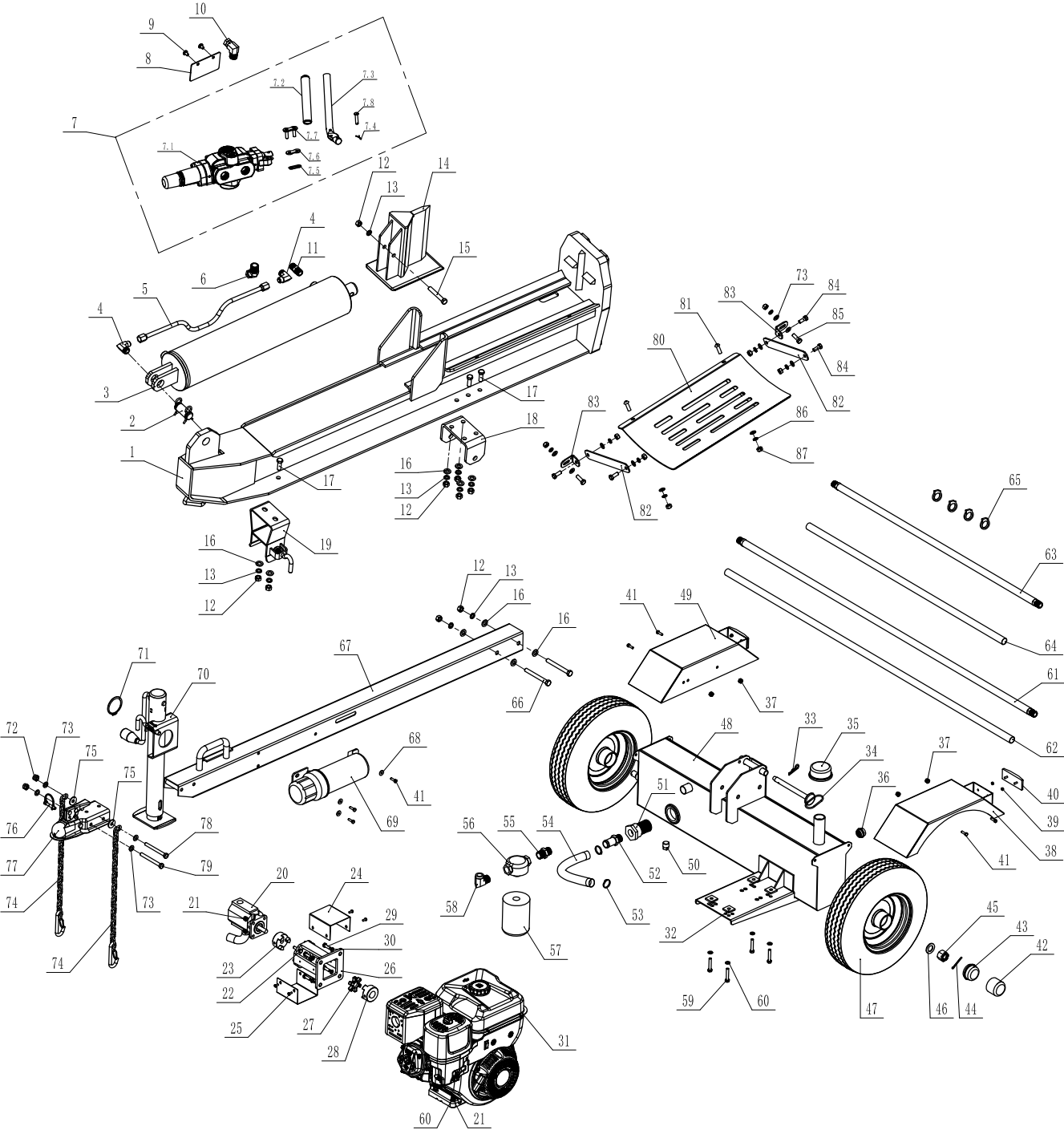
For all other issues, contact authorized dealer or Firman customer service.

Troubleshooting – Specifications

SPECIFICATIONS

Model	GS3701
Ram Force	37 Ton
Cycle Time	14 seconds
Hydraulic Tank Capacity	5 gal (19 L)
Max Log Length	24 in. (61 cm)
Max Log Weight	133 lb. (60 kg)
Coupler Ball Size	2 in. (5.1 cm)
Tire Size	16 in. (40.6 cm)
Max towing speed	45 MPH (72 KM/H)
Cylinder size	5 in. × 24 in. (12.7 cm × 60.9 cm)
Cylinder rod size	2 in. (5.1 cm)
Gear Pump	2-stage
Max pressure	4000 psi (27.5MPa)
Max flow capacity	18.5 GPM (70LPM)
Control Valve	Detent (auto-return)
Net Weight	595 lb. (270 kg)
Height	40 in. (101.5 cm)
Width	47.6 in. (120.9 cm)
Length	89 in. (226cm)
Hydraulic Oil System Capacity	6.8 gal. (25.8 L)
Engine	
Model	CH395
Displacement	277 cc
Type	4-Stroke OHV
Start Type	Recoil
Oil Capacity	38.7 fl. oz (1.1L)
Gasoline Capacity	1.8 gal (6.8L)

PARTS DIAGRAM AND PART LIST
GS3701 PARTS DIAGRAM



Parts Diagrams - Parts Lists

GS3701 LOG SPLITTER

NO.	Part Number	Description	Qty.	NO.	Part Number	Description	Qty.
1	710717160	Beam	1	46	710717124	Washer 3/4 in.	2
2	710417020	Wedge Pin	1	47	710727022	Wheel	2
3	710417021	Hydraulic Cylinder	1	48	710417023	Hydraulic Oil Tank	1
4	710717091	Right Angle Joiner	2	49	710717125	Fender(left)	1
5	710717092	Hydraulic Hose(Valve-Cylinder)	1	50	710717126	Tank Drain Plug	1
6	710717093	Connector	1	51	710717127	Internal Oil Filter	1
7	710417012	Control Valve	1	52	710717128	Connector	1
7.1	710717171	Valve Body	1	53	710717129	Clamp 15/16 in. - 1-1/4in.	2
7.2	710717172	Handle Sleeve	1	54	710727023	Oil Inlet Hose	1
7.3	710717173	Curved Handle	1	55	710717130	Connector 3/4 NPT - 3/4 NPT	1
7.4	710717174	Pin	1	56	710417016	Filter Base Assembly	1
7.5	710717175	Snap	1	57	710427005	Oil Return Filter	1
7.6	710717176	Connecting Plate	1	58	710717131	Connector 3/4 NPT - 1/2 NPT	1
7.7	710717177	Connecting Buckle Component	1	59	710717132	Bolt M8*45	4
7.8	710717178	Cylindrical Pin	1	60	710717045	Washer φ8	8
8	710717094	Plate	1	61	710727024	Hydraulic Hose(Pump-Valve)	1
9	710717095	Bolt M8*12	2	62	710727027	Hydraulic Hose Sheath(Pump-Valve)	1
10	710717096	Connector	1	63	710727025	Hydraulic Hose(Valve-Tank)	1
11	710717097	Through Joiner2	1	64	710727028	Hydraulic Hose Sheath(Valve-Tank)	1
12	710717098	Nut M12	9	65	710727029	Clamp	4
13	710717099	Lock Washer φ12	9	66	710717133	Bolt M12*110	2
14	710717161	Wedge Slide	1	67	710717134	Tow Bar	1
15	710717101	Bolt M12*75	1	68	710717068	Washer φ6	3
16	710717007	Washer φ12	10	69	710727026	Manual Canister	1
17	710717103	Bolt M12*35	6	70	710417017	Support Leg	1
18	710717104	Connecting Plate	1	71	710717065	Retaing Ring	1
19	710717105	Locking Device	1	72	710717075	Lock Nut M10	2
20	710417022	Gear Pump	1	73	710717003	Washer φ10	14
21	710717044	Lock Nut M8	8	74	710717137	Safety Chain with Hook	2
22	710717039	Bolt M8*30	4	75	710717138	Washer φ10	2
23	710717106	Gear Pump Connector	1	76	710717139	Detent Pin 8*45	1
24	710717107	Connector Cover	2	77	710717140	2-in. Ball Coupler	1
25	710717108	Screw M5*12	4	78	710717141	Bolt M10*120	1
26	710717164	Connector Stand	1	79	710717142	Bolt M10*100	1
27	710717110	Elastomer	1	80	710717166	Log Catcher	1
28	710717165	Engine Connector	1	81	710717167	Screw M10*30	2
29	710717112	Bolt 5/16-24UNF*1	4	82	710717168	Support Arm	2
30	710717048	Lock Washer φ8	4	83	710717169	Connect Arm	2
31	710467001	Engine	1	84	710717021	Bolt M10*25	4
32	710727020	Base Mounting	4	85	710717170	Bolt M10*30	2
33	710717113	R Pin	1	86	710717002	Lock Washer φ10	8
34	710717114	Hinge Pin	1	87	710717027	Nut M10	8
35	710717115	Oil Plug	1				
36	710417014	Oil Mirror M27*1.5	1				
37	710717116	Lock Nut M6	4				
38	710717117	Fender(right)	1				
39	710717118	Nut M5	4				
40	710727021	Reflector	2				
41	710717119	Bolt M6*20	7				
42	710717120	Cap Tool	1				
43	710717121	Axle Cap	2				
44	710717122	Cotter Pin	2				
45	710717123	Castle Nut 3/4 in.-16	2				

Service – Warranty

For Engine service and parts information contact Kohler Co. at 1-920-457-4441 or by visiting www.KohlerEngines.com.

For Log Splitter service and parts information contact FIRMAN at 1-844-347-6261 or at www.firmanpowerequipment.com.

Even quality-built equipment such as this log splitter may need occasional replacement parts to maintain it in good condition over the years. To order replacement parts, please provide the following:

- Log splitter Model No. Rev. Level and Serial No. found on the Data Decal
- Part number or numbers as shown in the Operator's manual Parts List section.
- A brief description of the trouble with the log splitter.

FIRMAN 2 Years Limited Warranty

Register your log splitter using the QR code provided or at www.firmanpowerequipment.com. FIRMAN will also register the warranty upon receipt of your Warranty Registration Card and a copy of your sales receipt from one of FIRMAN's retail locations as proof of purchase. Please submit your warranty registration and your proof of purchase within ten (10) days of the date of purchase.



Log Splitter Repair / Replacement Warranty

FIRMAN warrants to the original purchaser that the log splitter components will be free of defects in material and workmanship for a period of one (1) year (parts and labor) and 2 years (parts and technical support) from the original date of purchase 90 days (parts and labor) and 180 days (parts) for commercial & Industrial use. Transportation charges on product submitted for repair or replacement under this warranty are the sole responsibility of the purchaser. This warranty only applies to the original purchaser and is not transferable.

Engine Warranty

Register your log splitter engine as outlined in the Engine Warranty card and on KohlerEngines.com. The engine is warranted by the engine manufacturer only.

Kohler Co. Warrants to the original retail consumer that each new engine will be free from manufacturing defects in materials or workmanship for the applicable coverage period beginning on date of purchase; provided the engine is operated and maintained in accordance with Kohler Co.'s instructions and manuals. Type of use- residential 3 years, commercial/Rental 3 years. For complete warranty information visit www.KohlerEngines.com or contact Kohler at 1-800-544-2444 (U.S.A. and Canada).

Do Not Return the Unit to the Place of Purchase

Contact the FIRMAN Service Center and FIRMAN will troubleshoot any log splitter issue via phone or e-mail. If the problem is not corrected by this method, FIRMAN will, at its option, authorize evaluation, repair or replacement of the defective part or component at a FIRMAN Service Center.

Service – Warranty

FIRMAN will provide you with a case number for warranty service. Please keep it for future reference. Repairs or replacements without prior authorization, or at an unauthorized repair facility, will not be covered by log splitter or engine warranty.

Warranty Exclusions

This warranty does not cover the following repairs and equipment.

Normal Wear

Your product needs periodic parts and service to perform well. This warranty does not cover repair when normal use has exhausted the life of a part or the equipment as a whole.

Installation, Use and Maintenance

This warranty will not apply to parts and/or labor if your product is deemed to have been misused, neglected, involved in an accident, abused, modified, installed improperly or connected incorrectly. Normal maintenance is not covered by this warranty.

Other Exclusions

The log splitter and engine warranties exclude:

- Cosmetic defects such as paint, decals, etc.
- Wear items such as filter elements, seals, tires, etc.
- Failures due to acts of God and other force majeure events beyond the manufacturer's control.
- Problems caused by parts that are not original FIRMAN parts.

Limits of Implied Warranty and Consequential Damage

FIRMAN disclaims any obligation to cover any loss of time, use of this product, freight, or any incidental or consequential claim by anyone from using this product. THIS WARRANTY IS IN LIEU OF ALL OTHER WARRANTIES, EXPRESS OR IMPLIED, INCLUDING WARRANTIES OF MERCHANTABILITY OR FITNESS FOR A PARTICULAR PURPOSE.

A unit provided as an exchange will be subject to the warranty of the original unit. The length of the warranty governing the exchanged unit will remain calculated by reference to the purchase date of the original unit.

The log splitter and engine warranties give you certain legal rights which may change from state to state. Your state may also have other rights you may be entitled to that are not listed within this warranty.

Contact Information

You may contact FIRMAN at:

Address

Firman Power Equipment Inc.
Attn: Customer Service
8644 W. Ludlow Dr.
Peoria, AZ 85381
www.firmanpowerequipment.com

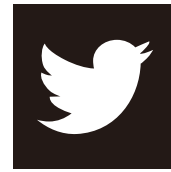
We are FIRMAN POWER - And we are here for you.

FOLLOW US ON SOCIAL MEDIA

USE

#EVERYGENERATORTELLSASTORY™

FOR YOUR CHANCE TO WIN FIRMAN SWAG



FIRMAN POWER EQUIPMENT
8644 W. LUDLOW DR.
PEORIA, AZ 85381
1-844-347-6261
WWW.FIRMANPOWEREQUIPMENT.COM

All rights reserved. Any reprinting or unauthorized use without the written permission is expressly prohibited.
P/N:710745452 Rev:00