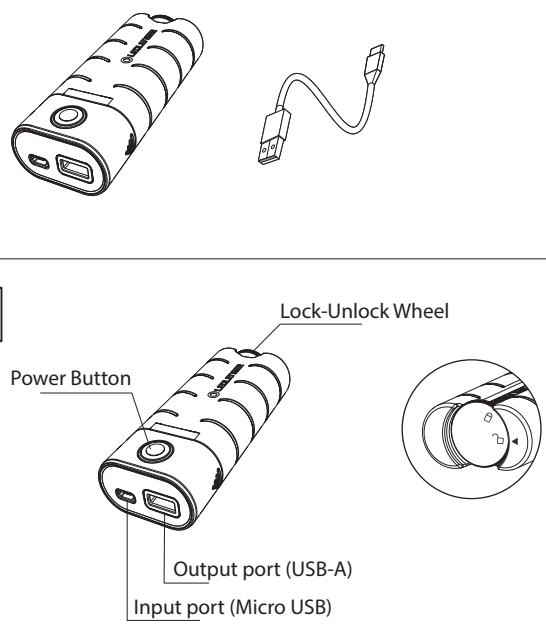
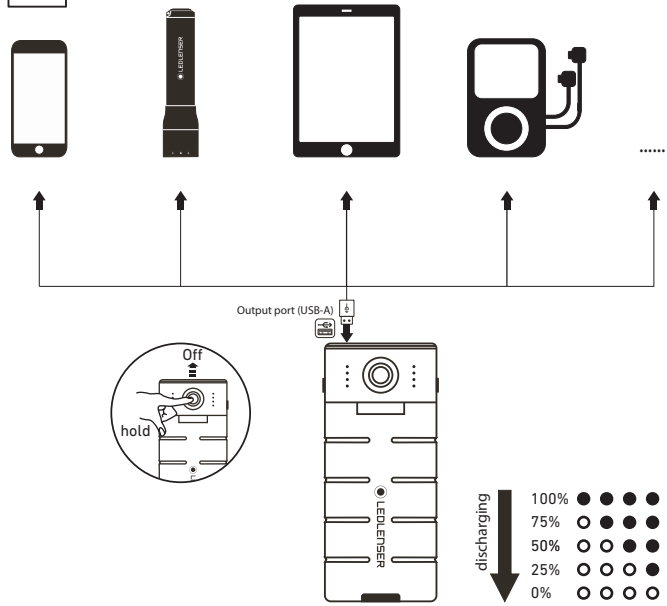


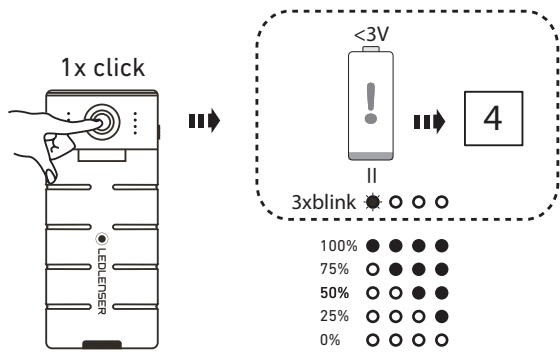
1



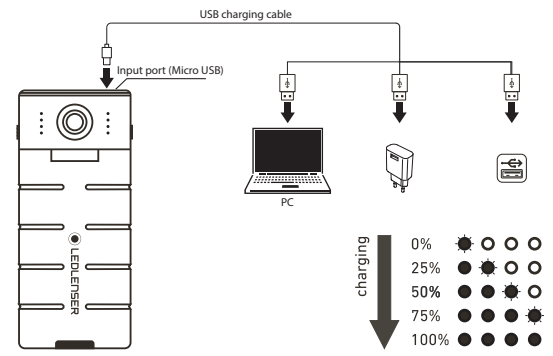
2



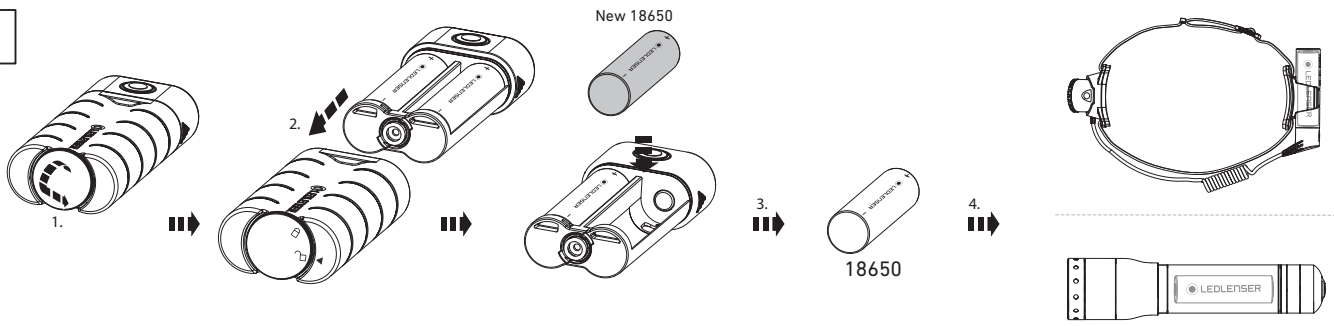
3

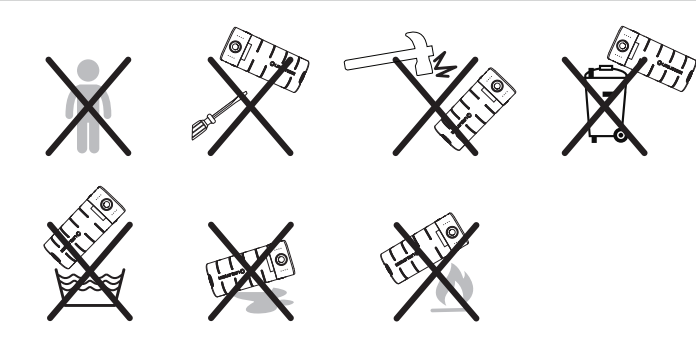
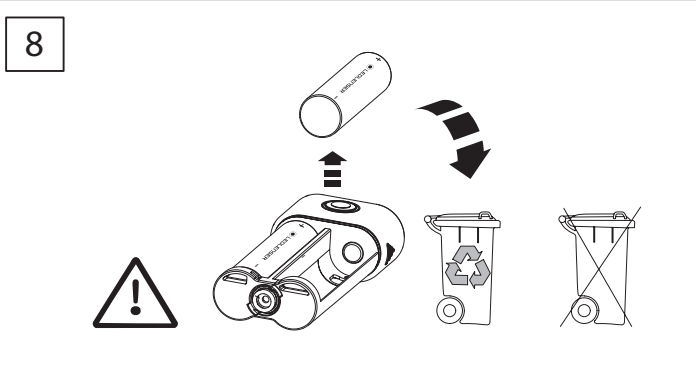
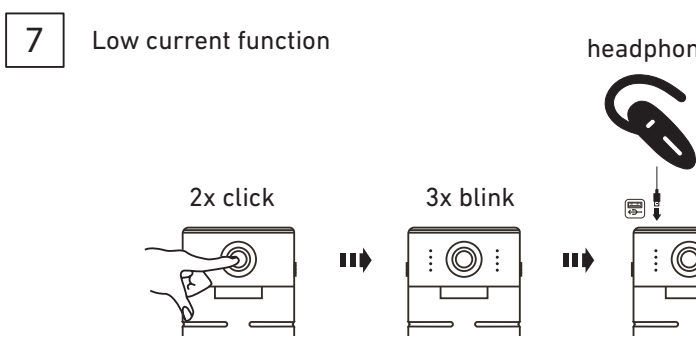
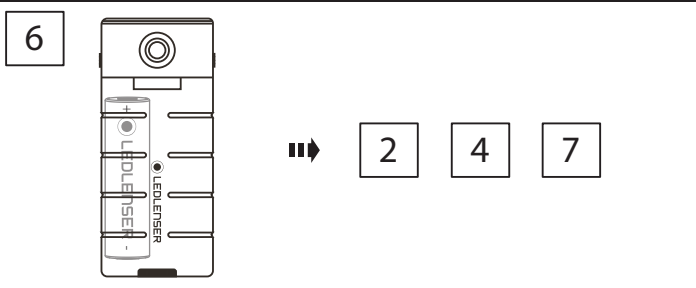


4



5





Ledlenser GmbH & Co. KG  
 Kronenstr. 5-7 • 42699 Solingen • Germany  
 Phone +49 212/5948-0 Fax +49 212/5948-200  
 info@ledlenser.com

ledlenser.com

CE

1J12A0328  
 Flex 7 QUG\_V0  
 20190923