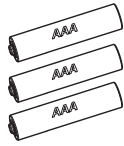
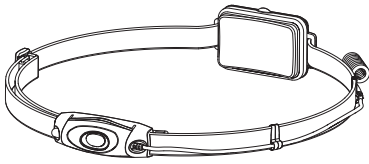
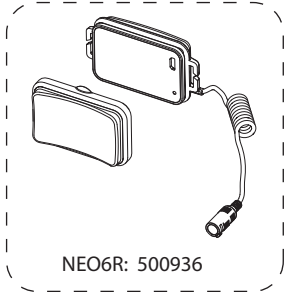


NEO4



1.5V AAA

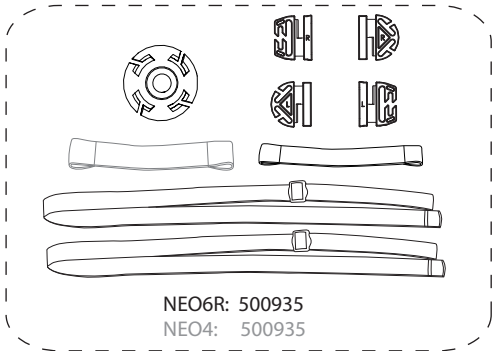
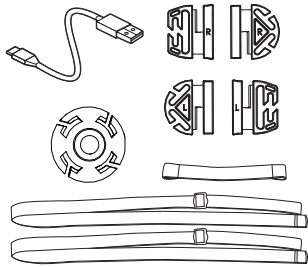
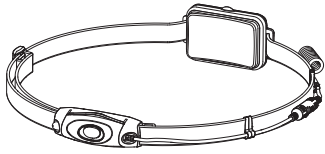


NEO6R: 500936



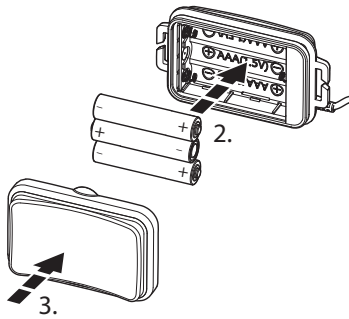
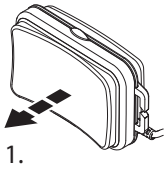
NEO6R: 500937

NEO6R

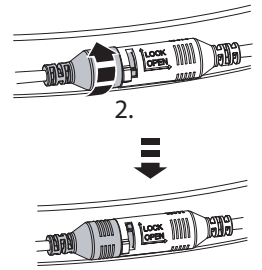
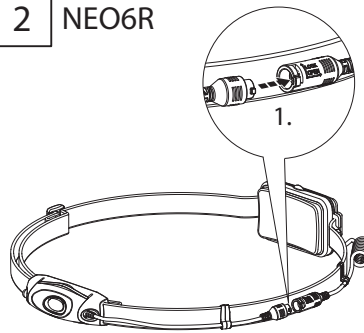


NEO6R: 500935  
NEO4: 500935

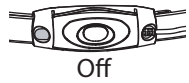
1 NEO4



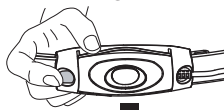
2 NEO6R



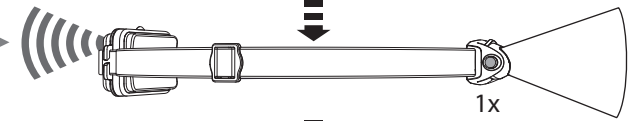
3



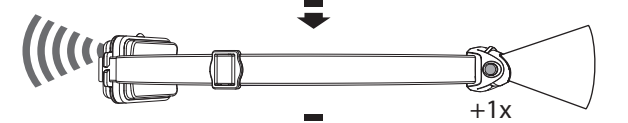
Off



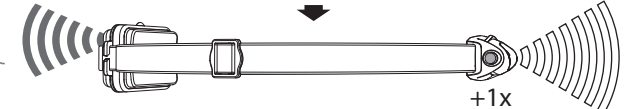
Constant Current Mode



Power 1x



Low Power +1x



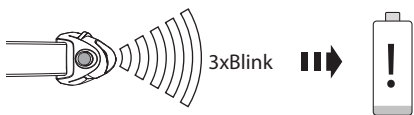
Blink +1x

Hold 1sec



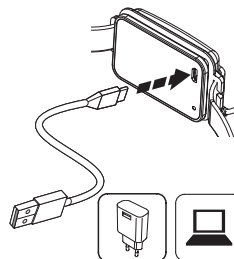
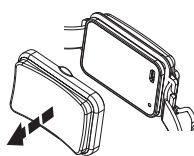
Off

4

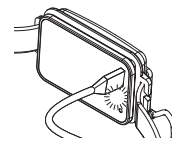


3xBlink

5 NEO6R

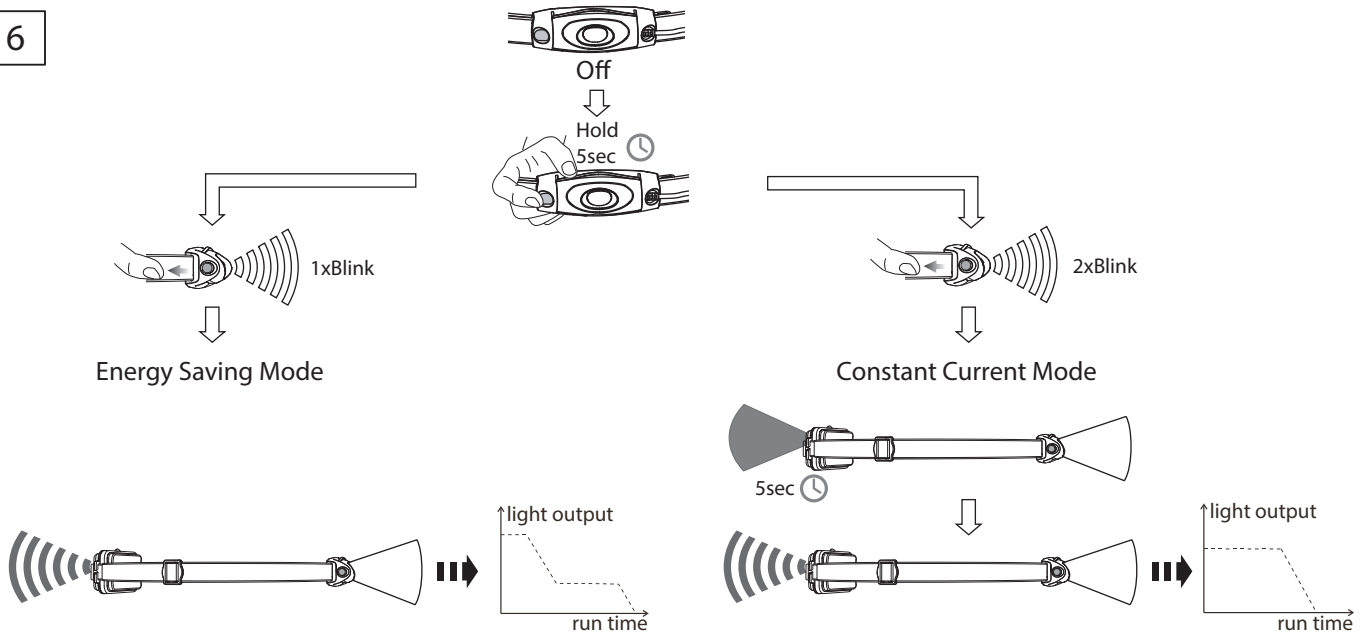


5V 1A

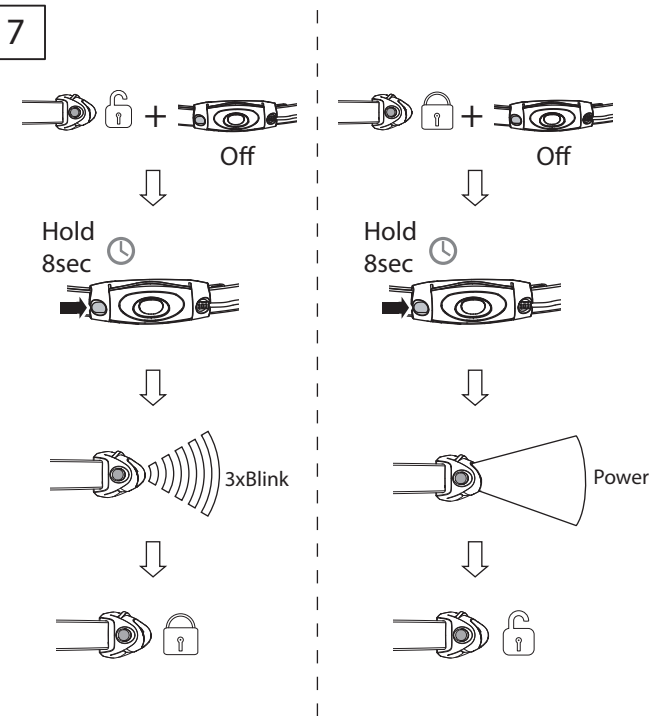


Red Green

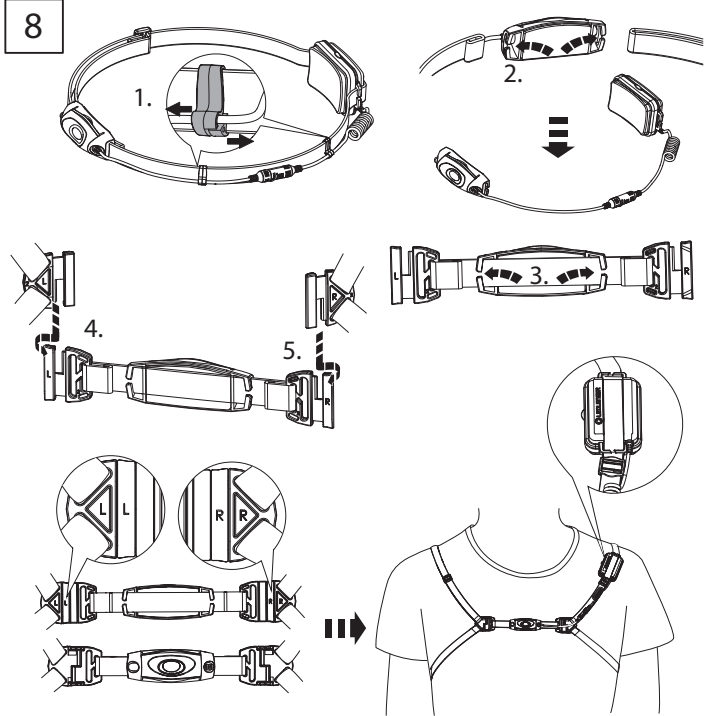
6



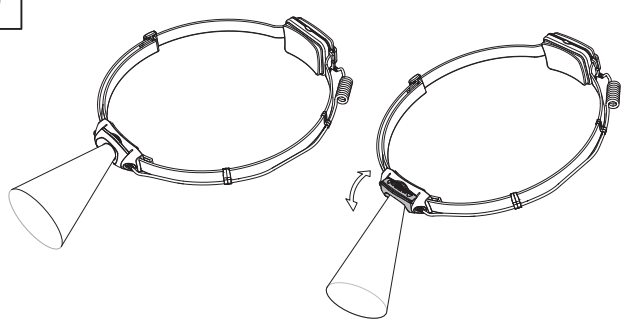
7



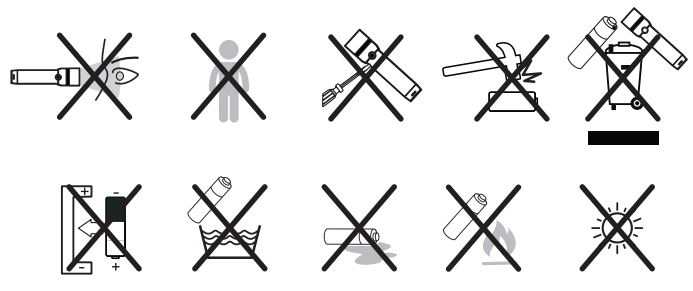
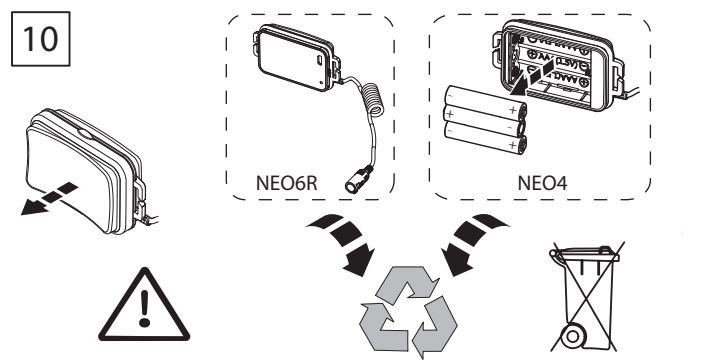
8



9



10



Ledlenser GmbH & Co. KG  
Kronenstr. 5-7 • 42699 Solingen • Germany  
Phone +49 212/5948-0 Fax +49 212/5948-200  
info@ledlenser.com

www.ledlenser.com

CE

NEO4/NEO6R\_V.01  
28.11.2017  
TJ12A0198