

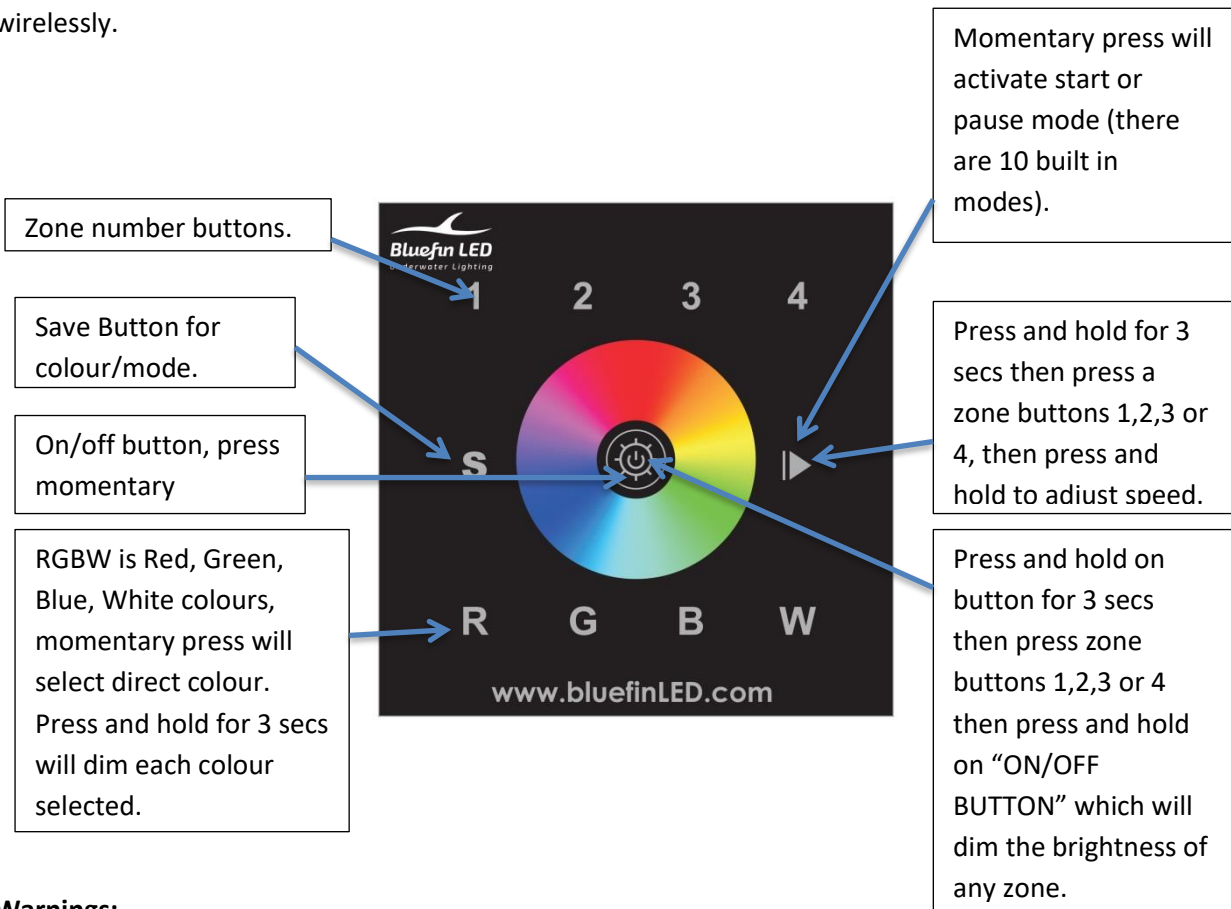
Bluefin LED Underwater lights RGBW DMX WIFI Controller.

RGBW-CC, Colour change RGBW WIFI Controller Installation manual.

Thank you for choosing Bluefin LED underwater lights, our products have been designed and tested rigorously to ensure the optimum performance and longevity.

Please ensure that your product is installed as per our instructions below, failure to do so may invalidate your warranty.

Go to the App store and download the **Easylighting EasyLife** App to control your unit from your device wirelessly.



Warnings:

- Ensure that the correct voltage is used for the controller (12/24v)
- Ensure all connections are made water tight.
- The DMX Controller is not a waterproof fitting and should not be installed in areas where it can be subjected to water.

Typical install wiring Diagram.

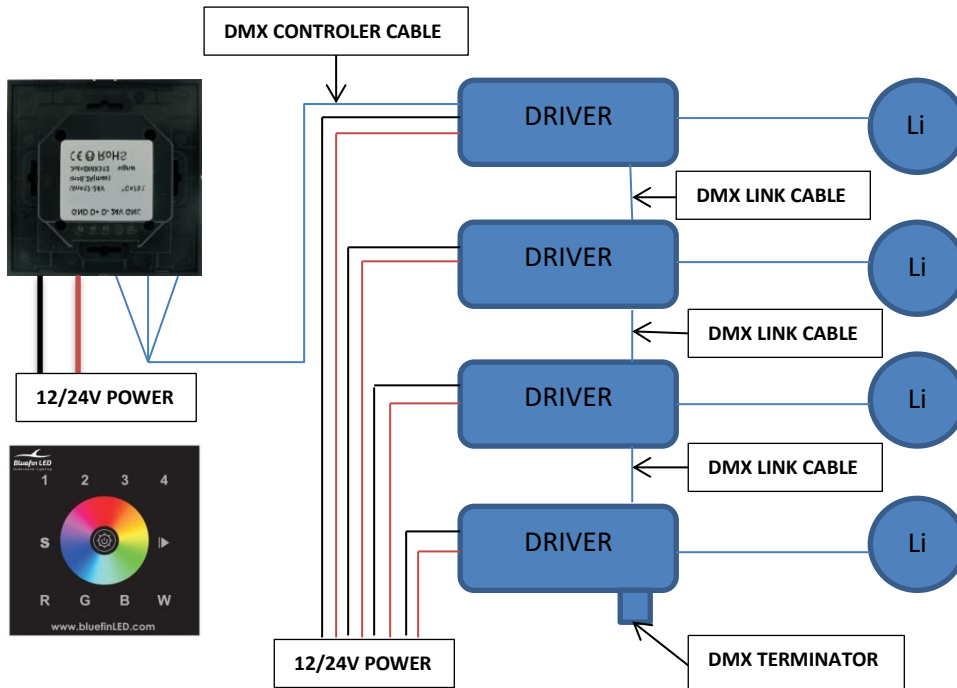
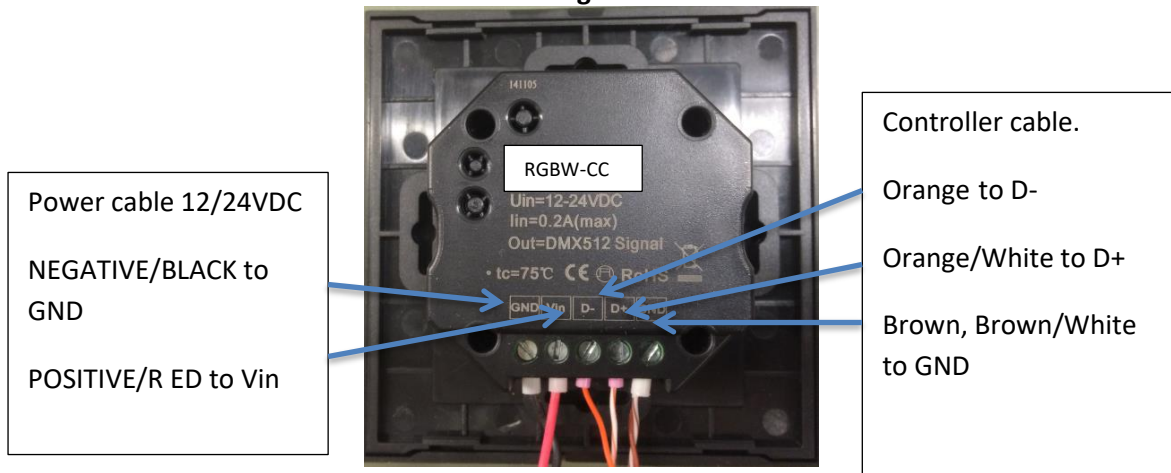


Fig 1



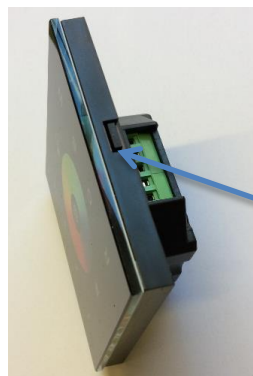
Dimensions:

Front panel 85mm square (3.34") by 11mm deep (0.43").

Fixing centre's 60.5mm (2.38").

Cut out for back connections 52mm (2") 20mm depth (0.788").

If you wish to mount the unit in an area that it can get wet you must seal the unit with a none corrosive sealant in the area as shown below:



Use sealant around the edges of the unit, ensuring that the clip is covered with sealant.

1. How to operate zone button.

- Each zone will get 4 addresses. Such as button one is address from 1-4, then button 2 is 5-8. Button 3 is 9-12, button 4 is 13-16. There are total 16 addresses.
- Zone “**1**” address is from 1 - 4.
- Zone “**2**” address is from 5 - 8.
- Zone “**3**” address is from 9 - 12.
- Zone “**4**” address is from 13 - 16.
- Take zone “**1**” as an example, address 1 indicates the channel of “**R**” (red); address 2 indicates the channel of “**G**” (green); address 3 indicates the channel of “**B**” (blue); address 4 indicates the channel of “**W**” (white / yellow / any colour). So do the address from zone 2,3,4 (address: 5-8, 9-12, 13-16).
- You control DMX controllers of each zone by different DMX address.
- Note: the address of zone “**1**” is fixed from 1-4; the address of zone “**2**” is fixed from 5-8; the address of zone “**3**” is fixed from 9-12; the address of zone “**4**” is fixed from 13-16. So you can only change the address of DMX decoder, then corresponding zones can control DMX decoder separately or synchronously.

2. How to save colour or mode.

- “**S**” Button can save the colour from mode or save colour when you touch the colour wheel.
- When “S” button is pressed, it saves “R/ G/ B” 3 colours in the default. But with your operation, you can save another 3 colours and replace those of R/G/B colours.
- Press any zone button----> press the “**PLAY**” button, this mode runs, select your favourite mode----> press “**S**” button over 3 seconds until connected and the light flashes, then it’s saved successfully.
- Press any zone button----> touch the “**COLOUR WHEEL**”, select your favourite colour----> press “**S**” button over 3 seconds until connected and the light flashes, then it’s saved successfully.

3. Central Button.

- Short Press of the central Button: Turns all Zones and Controller OFF. There is an LED indicator on the Body of the controller itself. Red = Stand by and all Zones OFF. Blue = Controller ON.
- Long Press of the central button: Will DIM whatever Zone is currently selected.

4. R,G,B,W Buttons.

- Short Press of the any of the “**R,G,B,W**” Buttons: Will turn the corresponding Colour either ON or OFF, within the currently selected Zone.
- A long Press of the “**R,G,B,W**” buttons: Will DIM the corresponding colour, within the currently selected Zone.

5. Zone Buttons.

- Only a Long press of the Button is available. This will turn the corresponding Zone ON or OFF. Note: When a Zone is turned OFF in this manner the “**Colour wheel**” will have no effect. The Zone will have to be turned ON again via the Zone Button before the Colour can be adjusted.

Terminator.

- The terminator shown in Fig 2 should be plugged into the DMX OUT on last driver of any install, this completes the circuit. Please Note that if the terminator is not installed the **DMX SIGNAL WILL NOT OPERATE CORRECTLY.**

Fig 2



DMX Controller cable.

- The DMX Controller cable (Fig 3) must be connected to the controller as per Fig 1 above, the connector end must be plugged into the DMX IN on the first driver of any run (see example of typical install above).

Fig 3



Warranty:

Your product has a 2 year limited warranty for defects.

For any warranty issues please contact your point of sale retailer or go to www.bluefinled.com for further advice.

Bluefin LED

Cottage Farm, Cottage Lane,
Norton Juxta Twycross, Atherstone. CV9 3QH

Sales - Tel: 07950 909048

Service - Tel: 01827 880450

Administration - Tel: 01827 880450

Email: simon.steadman@bluefinled.com

Email: mark.branson@bluefinled.com

Email: samantha.barrie@bluefinled.com

Registered Address: Square Rig Limited, t/a Bluefin LED, Cottage Farm, Cottage Lane, Norton Juxta Twycross, Atherstone, CV9 3QH
Company Registration Number: 08871451 VAT Number: 179 2690 64

