



Model: AJ-AD001
Anjou Aroma Diffuser
User Guide

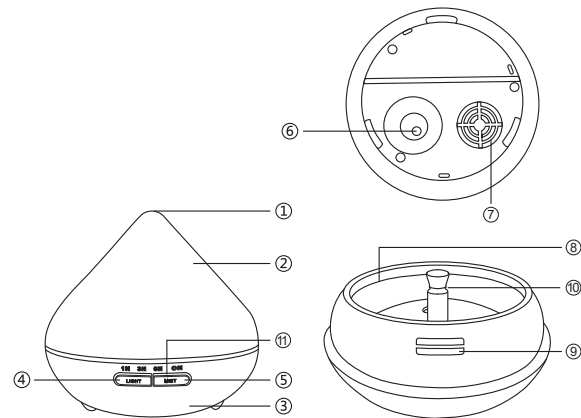
Thank you for choosing the Anjou Aroma Diffuser. Please read this manual carefully and keep it for future reference.

Package Contents

- 1 x Anjou Aroma Diffuser (Model: AJ-AD001)
- 1 x Power Adapter
- 1 x Measuring Cup
- 1 x User Guide

Specifications

Model	AJ-AD001
Operating Voltage	DC 24V
Power	13W Max
Water Tank Volume	300ml / 10oz
Working Time	8 hours Max
Max Humidity Increase	About 30-70ml / 1-2oz per hour
Ultrasonic Frequency	2.4MHz



Product Diagram

- 1. Mist Nozzle
- 2. Cover
- 3. Base
- 4. Light Button
- 5. Mist Button
- 6. DC Socket
- 7. Air Inlet
- 8. Max Water Level Line
- 9. Air Outlet
- 10. Essential Oil Tube
- 11. Timer Indicators



NORTH AMERICA

E-mail: support@anjou.com

MANUFACTURER

Manufacturer: Shenzhen NearbyExpress Technology Development Co., Ltd.
Address: Floor 7, Building E, Galaxy World Phase II, Shenzhen, China



How to Use

Caution

- 1) Please add water to the tank first, then pour essential oils up to the marking on the tube or until dispensing starts. If there's no fragrance, the water-oil balance may be off. Please add enough essential oil as instructed then.
- 2) If you are using a glass essential oil tube, please handle with care to avoid breakage.
- 3) It is recommended to use purified or distilled water.

Add and Drain Water

1. Remove the tank cover, add water into the tank no higher than the max water level line. Drizzle a few drops of essential oil into the tube until dispensing starts. Put the tank cover back on.
2. Clean the water tank with a brush when grime builds up.

Note:

Never pour essential oils into the tube when there is no water inside the tank.

Operations and Functions

Connect to a power source. Once connected the diffuser will enter standby mode. Please make sure there is enough water inside the tank.

Power On

Press the Mist Button to turn on the unit.

Change the Mist Output

Press and hold the Mist Button to enter high mist with one beep and low mist with two beeps.

Change the Light Color

1. Press the Light Button once to automatically cycle through different colors.
2. Press again to stay on the current color. Keep pressing to cycle through all the colors. When the cycle is done, press one more time to turn off the light.
3. Or press and hold the Light Button for 2-3 seconds to turn off the light.

Set the Timer

When the mist is on, press the Mist Button to set 1 / 3 / 6 hour timer or turn off the timer. The timer indicator will light up accordingly.

When the ON indicator is on, the timer is off.

Power Off

When the timer is off, press the Mist Button once to turn off the unit.

How to Clean

IMPORTANT!

Please unplug the unit before cleaning!

Regular Cleaning

- 1) Empty the tank from the water outlet.
- 2) Add 3-5g (approx. one teaspoon, based on scale of the residues) baking soda / NaHCO₃ to the tank.
- 3) Fill the tank halfway full with warm water (100-150ml / 3.38-5.07floz), stir it to fully dissolve.
- 4) Soak for 3-5mins, wipe down the tank and tank cover using a small brush or soft cloth with baking soda solution. (For better cleaning, remove the muting cover and wipe it down thoroughly).
- 5) Drain the solution and rinse the tank under tap water.

6) Rub the inside and outside dry with a dry towel or clean cloth.

7) Wipe off the soda residues if any.

Deep Cleaning

You are recommended to deep clean your diffuser once a month or when the mist output is low due to grime build-up.

- 1) Empty the tank from the water outlet.
- 2) Add 2-3 teaspoons of baking soda / NaHCO₃, or 2-3 slices of fresh lemon to the tank.
- 3) Fill the tank halfway full with warm water (100-150ml / 3.38-5.07floz), stir it to fully dissolve.
- 4) Soak for about half an hour.
- 5) Thoroughly clean the grime at the bottom and atomizer (slot at the center) of the tank with a small brush.
- 6) Wipe down tank cover using a small brush or soft cloth with baking soda solution. (For better cleaning, remove the muting cover and wipe it down thoroughly).
- 7) Drain the solution and rinse the tank under tap water.
- 8) Wipe off the soda residues if any.
- 9) Rub the inside and outside dry with a dry towel or clean cloth.

Notes:

- 1) You may use dishwashing detergent when baking soda is unavailable. But it works better for oil removing instead of odor and mineral buildup.
- 2) Do not rinse the base directly with water; try to avoid wetting the buttons, light holes, air inlets and underneath to avoid short circuit.
- 3) It is not recommended to clean the unit with white vinegar since its direct and indirect contact with the atomizer will damage it permanently.

FCC Compliance

This device complies with Part 15 of the FCC Rules. Operation is subject to the following two conditions:

- (1) this device may not cause harmful interference, and
- (2) this device must accept any interference received, including interference that may cause undesired operation.



WEEE Compliance

Correct Disposal of This Product (Waste Electrical & Electronic Equipment)

(Applicable in countries with separate collection systems)

This marking on the product, accessories or literature indicates that the product and its electronic accessories should not be disposed of with other household waste at the end of their working life. To prevent possible harm to the environment or human health from uncontrolled waste disposal, please separate these items from other types of waste and recycle them responsibly to promote the sustainable reuse of material resources. Household users should contact either the retailer where they purchased this product, or their local government office, for details of where and how they can take these items for environmentally safe recycling. Business users should contact their supplier and check the terms and conditions of the purchase contract. This product and its electronic accessories should not be mixed with other commercial wastes for disposal.

尺寸：90*120mm

折页

材质：128克铜版纸