



QuietTorque™ 45.0 LC

Clean, Green, and Quiet!

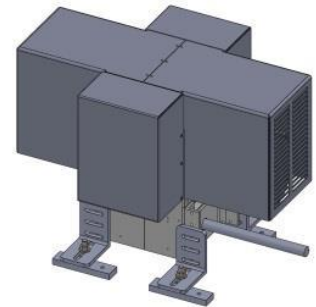
*Electric propulsion systems engineered
and built by sailors for sailors since 2007!*

The **QuietTorque™ 45.0 LC** is recommended for boats up to 50' (LOA) and 34,000lbs displacement. Liquid cooling provides for high sustained output, ideal for hybrid applications. Typical battery size is 300 - 500Ah.

Specifications

Motor type	2 PMAC Brushless
Voltage	72Vdc (nom)
Max. Input Power	45 kW
Cont. Input Power	37.5 kW
Weight	180 pounds
Frame	Anodized Aluminum

*Permanent magnet Alternating Current



Standard Features

Motor Mounts	Adjustable Mounts to current engine stringers
Throttle	Anodized Al waterproof throttle with key & neutral lock
System Monitor	Programmable digital display <ul style="list-style-type: none">• State of Charge (SOC)• Voltage, Current, RPM, battery type• Instant and accurate• Distance to discharge• Programmable regeneration• Program throttle forward/reverse & throw
Shaft coupler	Standard 4" flange
Power Switch	Two position 500A GigaVac switch
Relay	500amp TE Connectivity vacuum relay
Fuse	Class-T fuse & holder



Why Electric Yacht

- UNPARALLELED CUSTOMER SERVICE AND ENGINEERING
- Computer generated performance projections
- Three year warranty
- Designed for customer installation

The **QuietTorque™ 45.0 LC** is very complete and includes everything needed except batteries, battery cables and charger. Contact us directly or through one of our dealers and we will help you design a complete system to meet your particular needs.