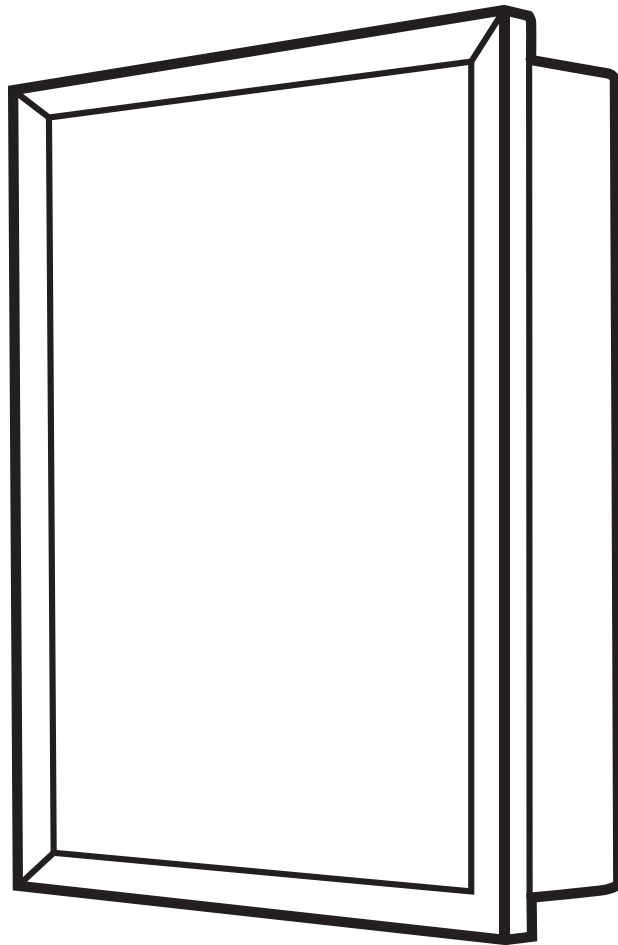


INSTALLATION INSTRUCTION

DeerValley®

Medicine Cabinet





Prior to Installation:

- Don't discard any of the packaging until you are sure that you have all of the parts and the fittings.
- Prior to installation, ensure that the main power is switched off.

REMARK:

Verify that the wall surface is sufficiently strong and well-constructed.

Note: The included wall anchors are suitable for Stone or Brick walls, but not for wooden walls. For other wall types, use appropriate wall anchors. If uncertain, consult an expert.

General Recommendations

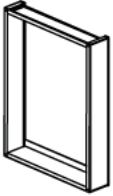
Review installation and maintenance instructions thoroughly before installing the medicine cabinet. Use proper tools and wear necessary personal safety accessories for protection during installation.

**If you have any questions or concerns
please contact us:**

(+1) 312-626-9466
service@deervalleybath.com

INSTRUCTIONS

(1) Product Components



Cabinet: 1 piece



Tempered Glass Shelves: 1 piece



Shelf Supports: 2 pieces



Screws/Thread Plugs: 4 pieces each

Dimensions

Please measure the cabinet yourself to determine its overall dimensions. For recessed models, identify the rough-in dimensions. While a chart is provided, we recommend measuring independently for the most accurate information.

	DV-1MC0147
Width	15.12"
Height	19.25"
Depth	4.92"

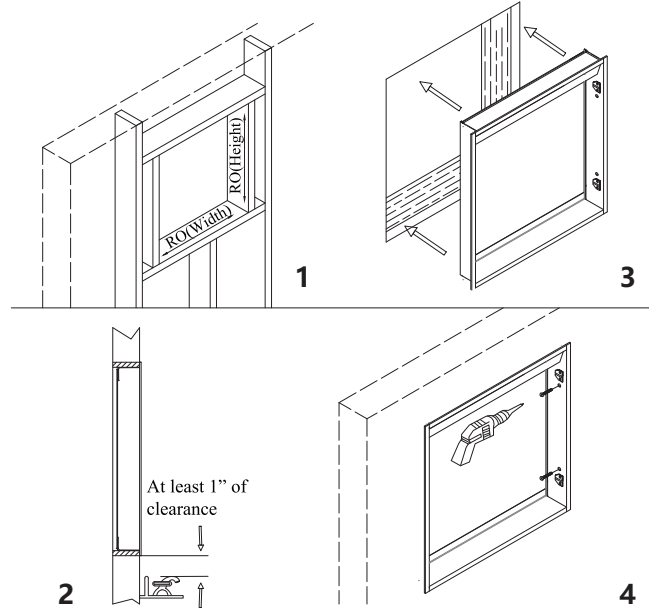
WARNING:

For your safety and to prevent property damage, please thoroughly read and follow all installation instructions before installing this product. Wear safety goggles during the installation process. It is imperative to install this product in accordance with all applicable state and local plumbing and building codes. If you are unsure about the correct installation procedure, we strongly recommend consulting a professional.

(2) Assembling the Cabinet

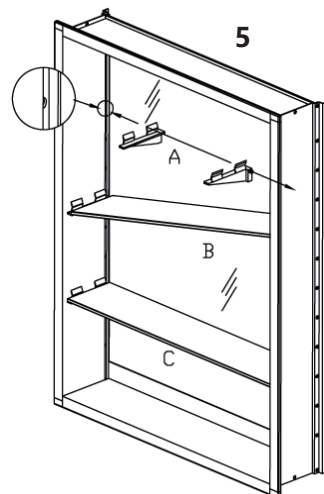
- Make a rough opening and frame on all sides. Find the specific model dimensions to create the rough opening (Fig 1).
- Ensure the cabinet has at least 1" (25mm) clearance to the top of the faucet and at least 1" from the ceiling (Fig 2).
- Place the cabinet in the rough-in and ensure it is plumb and level (Fig 3).
- Install a wood screw through the top mounting hole in the cabinet and screw it into the wall stud as shown (Fig 4). Do not overtighten the screw.

- Once the cabinet is plumb and level, install the remaining screws into the wall stud.
- Ensure the cabinet flange covers the rough opening evenly all around.



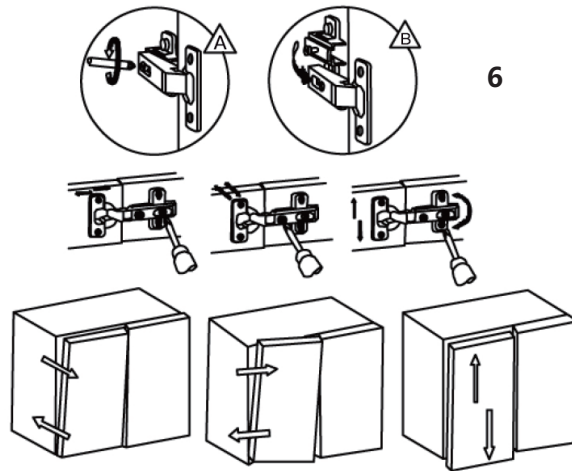
(3) Assembling Glass Shelves

- Align and fix the glass shelves following the sequence A-B-C.
- Ensure that the left-right shelf supports are in accordance.
- When fixing the supports, allow the glass shelf to slope inside the cabinet. Press the glass firmly to secure it in place.



(4) Assemble & Disassemble & Adjust Hinge

- The cabinet utilizes clip hinges, and assembly and disassembly are opposite processes. (See Fig 6)



Care and Maintenance

The cabinet door and interior are constructed of mirrored glass and aluminum. Use only a damp cloth to clean. Ammonia or vinegar-based cleaners can damage mirrors. A solution of 50% water and 50% isopropyl alcohol is recommended for mirror cleaning. A very mild detergent may be used to clean the surface. When cleaning, spray the cloth, not the cabinet, mirror, or surrounding surfaces. Do not use abrasive cleansers on any part of the cabinet.

LIMITED WARRANTY COVERAGE

1 YEAR LIMITED WARRANTY

DeerValley products are made with quality materials and excellent craftsmanship to provide the customers a long-lasting product. In the case of any defects in materials or craftsmanship under regular use were inspected in the first one year of delivery, DeerValley will provide replacement parts at no charge, or at its option, replace any product or part of the product that is deemed defective, under normal installation, use, service and maintenance. This warranty applies only to the original purchaser. Proof of purchase will be required in the case of a claim. **SCRATCHES ARE NOT COVERED UNDER WARRANTY.**

The manufacturer warrants this product to be free of manufacture defects during the above mentioned warranty time. Please keep a copy of the original invoice as proof of purchase.

DeerValley will, as its option, (1) repair or replace the defective part(s) or product(s) at no charge; (2) issue a refund of the original purchase price of the product(s) (Valid within 30 days from the date of delivery); or (3) issue a credit to be applied toward the purchase of a new DeerValley product shipping/delivery charges may apply and are in DeerValley sole discretion.

DeerValley recommends the installations to be made by a licensed, professional plumber. DeerValley will not be held responsible for any damage or product failure due to improper installation, misuse, or failure to use a licensed professional. DeerValley is not responsible for any removal or installation cost.

This limited warranty shall not apply to goods which have been subject to accident, negligence, improper installation, product abuse, product misuse, or use of cleaners containing abrasives, alcohol or other organic solvents, whether performed by a contractor, service company, or yourself, are excluded from this warranty.

DeerValley responsibility under this limited warranty is limited to only to replacement parts and no other costs. DeerValley will not be responsible for labor charges and/or damage incurred by installation, repair or replacement, nor for any indirect incidental or consequential damages, losses, injury or costs of any nature relating to this product Except as provided by law, this limited warranty is in lieu of and excludes all other warranties, conditions, and guarantees, whether expressed or implied, statutory or otherwise, including without restriction those merchantability of fitness for use.

RESPONSIBILITIES OF OTHERS

Inspecting the unit prior to installation is the responsibility of the installer or building contractor who acts on behalf of the user. They are responsible for ensuring the unit is free of defect or damage.

Notices are placed on and in the unit and on the shipping carton advising the installer of this responsibility.

In the event of a problem, the unit must not be installed. DeerValley is not responsible for failures or damage that could have been discovered, repaired, or avoided by proper inspection and testing prior to installation.

Damage occurring in transit is the responsibility of the carrier. The user or installer **MUST** open the crate and inspect the unit for damage when it is delivered. If damage is discovered, it must be reported immediately to the seller and the carrier in writing, and an inspection requested. Failure of the carrier to respond should be reported to the seller and the carrier. Your freight claims should be filed promptly thereafter.

LIMITATIONS AND EXCLUSIONS

This warranty does not cover instances of negligence, misuse, abuse, improper installation, carelessness, accident, hard water or mineral deposits, exposure to corrosive materials, misapplication, damages caused by improper maintenance, alteration of the product, or failure to follow care or installation instructions enclosed with your product. The warranty becomes invalid if the DeerValley product undergoes any alterations or if attempts are made to carry out repairs using unauthorized accessories or parts from DeerValley.

DeerValley will not be liable for loss of use of the DeerValley products, inconvenience, or any other incidental or consequential costs, expense or damages. Please note that some states do not allow the exclusion or limitation of incidental damages.

DISCLAIMER

Except as expressly provided, there shall be no warranty or obligation, express or implied, oral or statutory. No dealer or other person has the authority to make any warranties or representations concerning DeerValley or its products. In no event shall DeerValley be held responsible for any such warranties or representations.

WARRANTY SERVICE

NOTE: When requesting warranty, be sure to have the following:

- Copy of original invoice
- Date of installation
- Description and pictures of defect
- Model number or description of model

To obtain warranty service and replacement part, please contact DeerValley Customer Service. DeerValley will determine whether to repair or replace your product, issue a refund, or issue a credit.