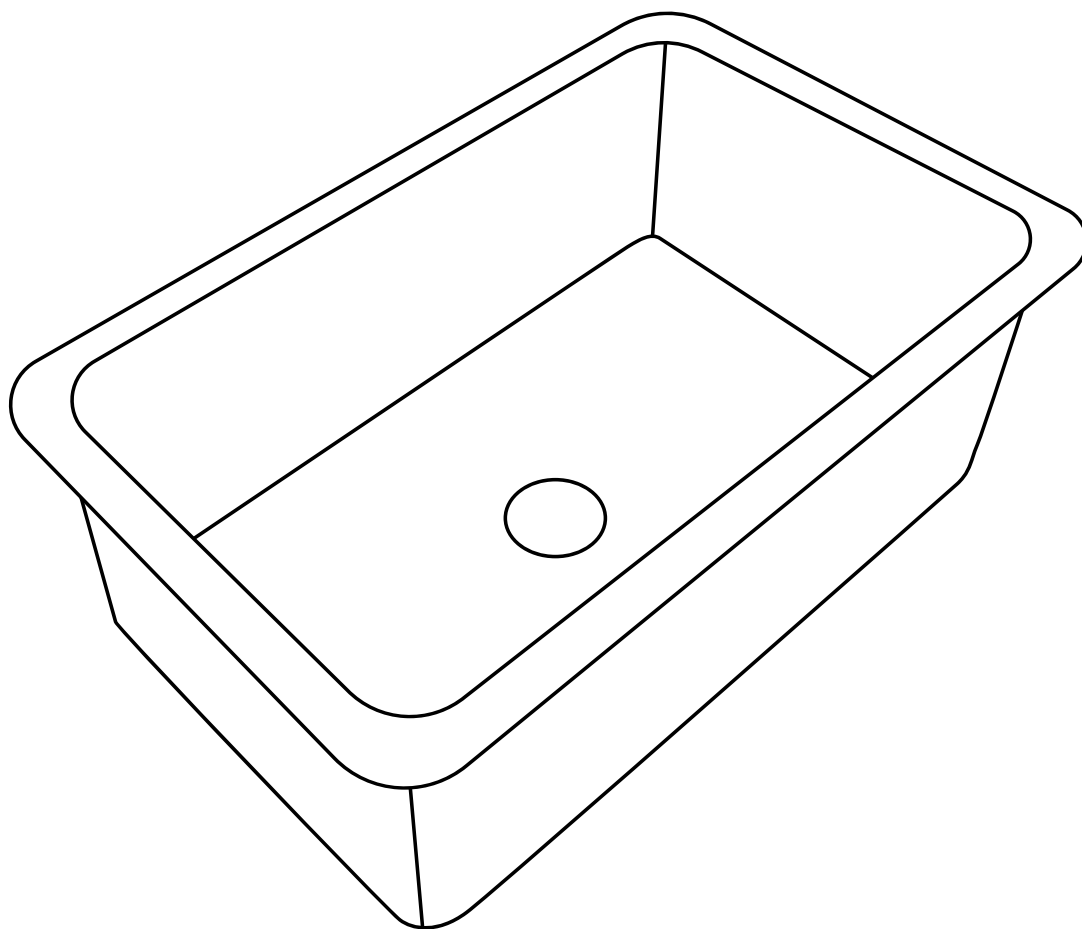


INSTALLATION INSTRUCTIONS

DeerValley®

Fireclay Undermount Kitchen Sink





Prior to Installation:

- Inspect kitchen sink to ensure no damages have occurred while in shipping.
- Observe all plumbing and building codes in accordance with your state and local requirements.
- Additional floor and wall preparations may be necessary to avoid damage to the product.
- Make sure to purchase the correct cabinet for your undermount sink.
- Installation with laminate countertop not recommended.
- All dimensions are nominal! Be sure to measure your cabinet to installation.

General Recommendations:

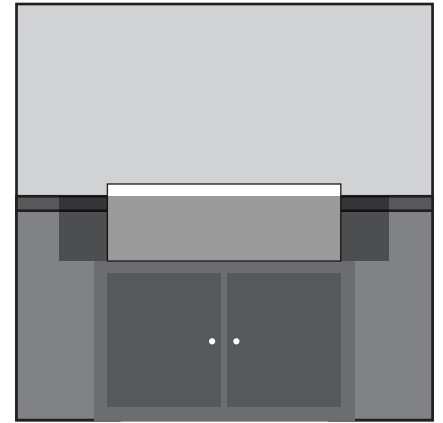
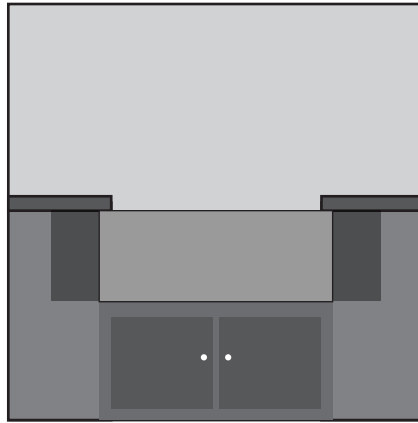
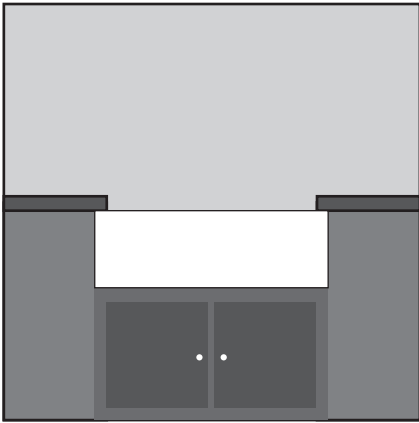
Please read installation and maintenance instructions thoroughly before installing the kitchen sink.
Be sure to use proper tools and always wear proper personal safety accessories for your protection.

**If you have any questions or concerns
please contact us:**

312-626-9466
service@deervalleybath.com

1. INSTALLATION OPTIONS

- We recommend Undermount or Drop-in kitchen sink installation.
- Ensure there is adequate room for the faucet and backsplash installations.



2. INSTRUCTIONS

- Unpack and inspect the sink for any shipping damages and ensure that none of the required pieces are missing. If you find any damages, do not install, please contact us.
- We recommend consulting an experienced installer to make for assistance, and providing the installer with the actual size of our sink to ensure smooth installation.
- Please use assistance when lifting the sink in order to avoid personal injury.
- We recommend consulting a professional if you are unfamiliar with installing kitchen fixtures and plumbing. DeerValley accepts no liability for any damages to the floor, walls, plumbing or personal injury during installation.

SUGGESTED TOOLS AND MATERIALS



Framing Square



Safety Glasses



Pencil



Tape Measure



Level



Thread Sealant



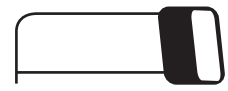
Wood Shims



Basin Wernch



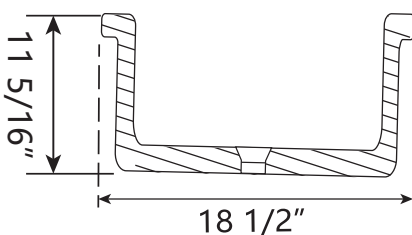
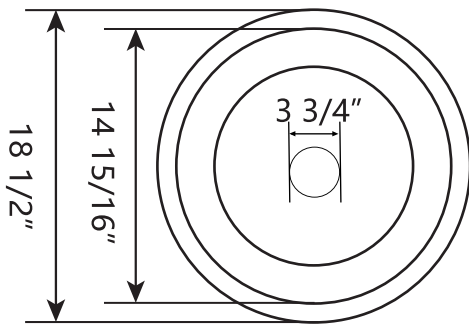
Drill



Hacksaw

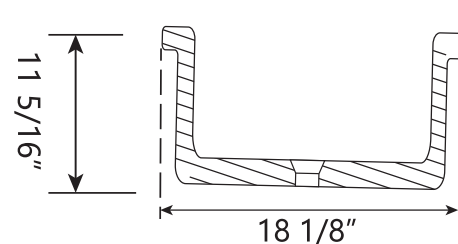
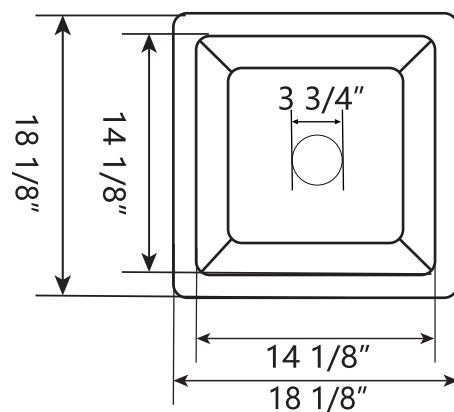
- Sealant - We recommend the use of a stone, marble and granite silicone caulk or a general purpose silicone sealant.
- Installation tools are not provided, please prepare by yourself.

3. DIMENSIONS



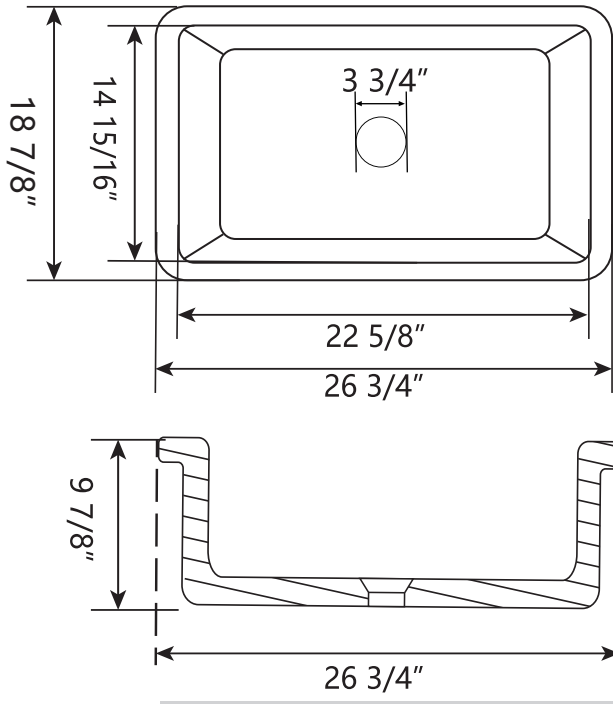
DV-1K506

18 1/2" * 18 1/2" * 11 5/16"



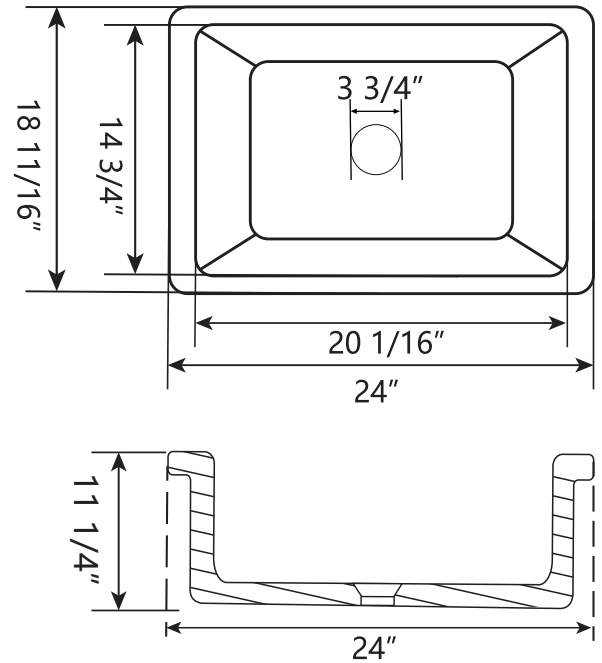
DV-1K507

18 1/8" * 18 1/8" * 11 5/16"



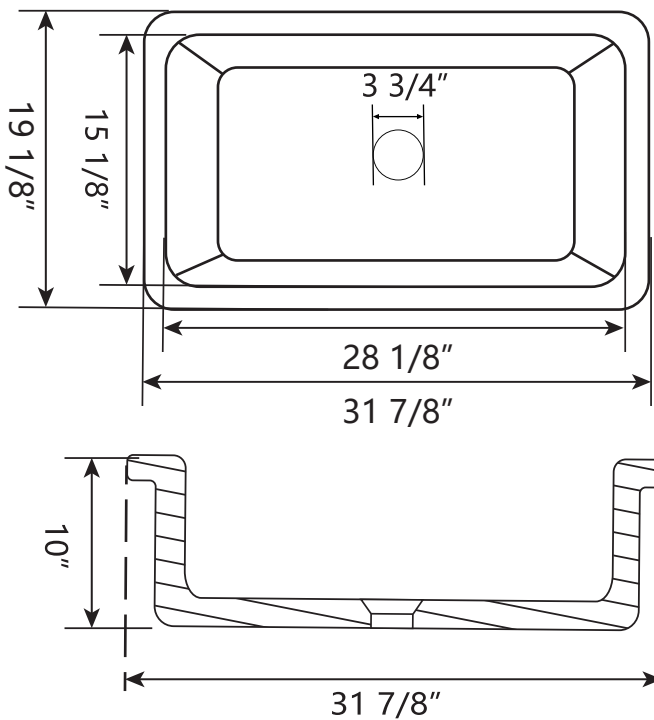
DV-1K509

26 3/4" * 18 7/8" * 9 7/8"



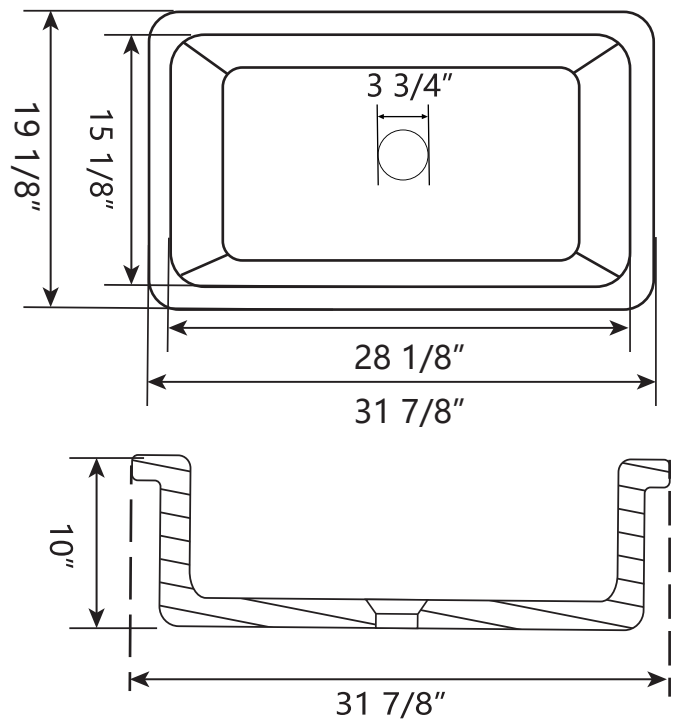
DV-1K515

24" * 18 11/16" * 11 1/4"



DV-1K513

31 7/8" * 19 1/8" * 10"

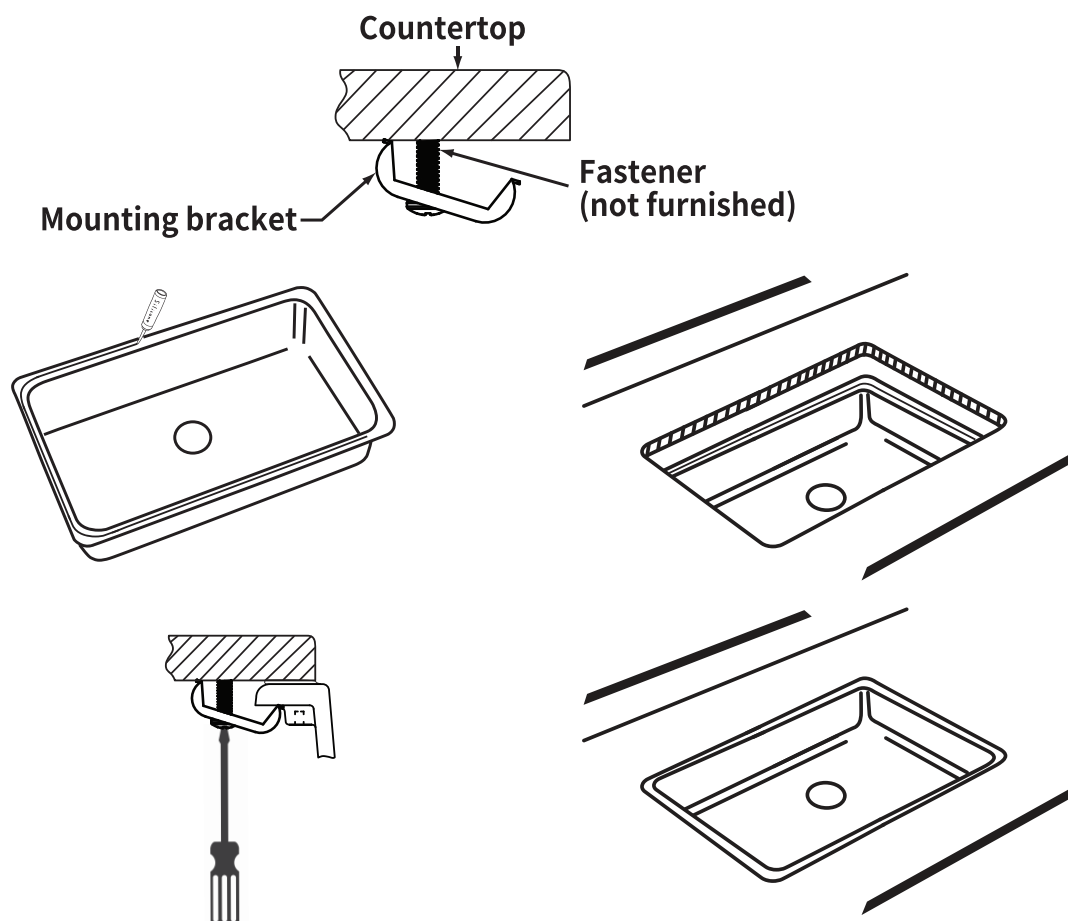


DV-1K0016

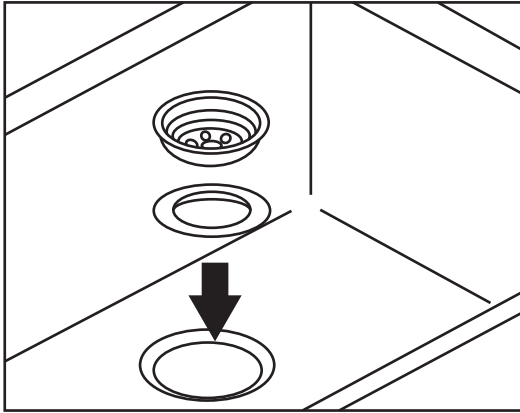
31 7/8" * 19 1/8" * 10"

4. UNDERMOUNT INSTALLATION STEPS

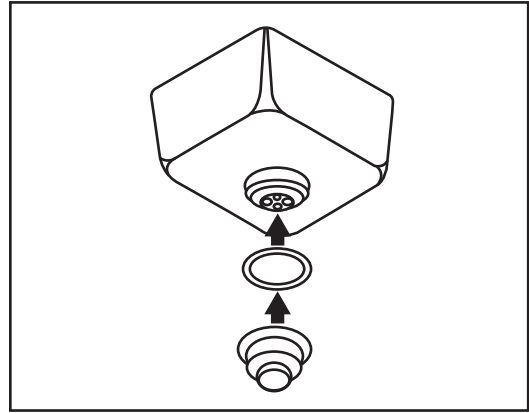
1. Measure the hole for the sink: Turn the sink upside down and trace the outline directly on the countertop with a pencil. The outline will be slightly larger than the sink's opening, so make a second outline about 1/2 inch smaller than the original for the hole.
2. Fasten the mounting brackets loosely into the pre-drilled mounting holes in the countertop.
3. Apply silicone caulk (not included) evenly all around the top of the sink flanges. Position and align the sink under the countertop opening. Press the silicone and flange up onto the countertop.
4. From the underside, lightly tighten the fasteners with a screwdriver until the sink is snug against the countertop. Check alignment of the sink to the countertop opening and then tighten the fasteners until the sink is tight against the countertop. Do not over tighten. Wipe away any excess caulk with a rag.



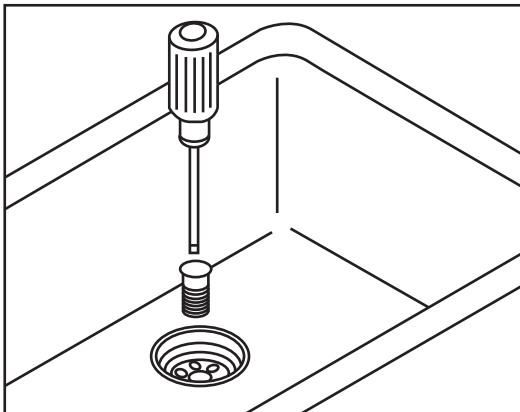
5. STRAINER INSTALLATION GUIDE



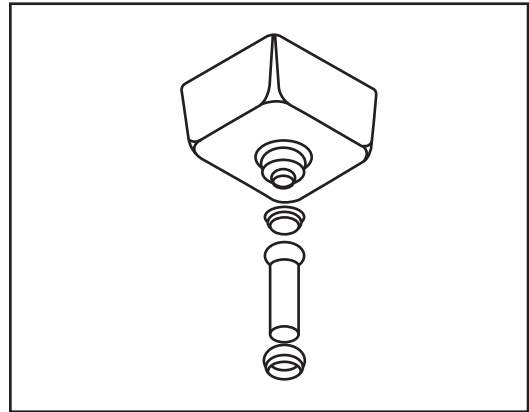
Step 1: Taking apart the sink strainer, put the upper strainer body and white gasket into the sink hole.



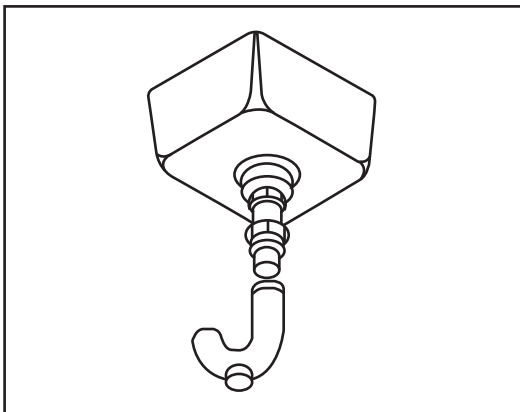
Step 2: Put the lower strainer and black gasket connect to the upper part under the sink.



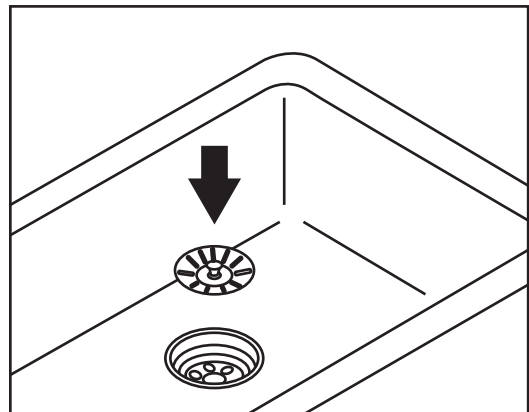
Step 3: Fix the upper and lower parts with screws.



Step 4: Connect the drain tail piece.



Step 5: Connect the trap. Run water and check for leaks.



Step 6: Insert the basket.