

## LIMITED WARRANTY COVERAGE

### 1 YEAR LIMITED WARRANTY

DeerValley products are made with quality materials and excellent craftsmanship to provide the customers a long-lasting product. In the case of any defects in materials or craftsmanship under regular use were inspected in the first one year of delivery, DeerValley will provide replacement parts at no charge, or at its option, replace any product or part of the product that is deemed defective, under normal installation, use, service and maintenance. This warranty applies only to the original purchaser. Proof of purchase will be required in the case of a claim. SCRATCHES ARE NOT COVERED UNDER WARRANTY.

The manufacturer warrants this product to be free of manufacture defects during the above mentioned warranty time. Please keep a copy of the original invoice as proof of purchase.

DeerValley will, as its option, (1) repair or replace the defective part(s) or product(s) at no charge; (2) issue a refund of the original purchase price of the product(s) (Valid within 30 days from the date of delivery); or (3) issue a credit to be applied toward the purchase of a new DeerValley product shipping/delivery charges may apply and are in DeerValley sole discretion.

DeerValley recommends the installations to be made by a licensed, professional plumber. DeerValley will not be held responsible for any damage or product failure due to improper installation, misuse, or failure to use a licensed professional. DeerValley is not responsible for any removal or installation cost.

This limited warranty shall not apply to goods which have been subject to accident, negligence, improper installation, product abuse, product misuse, or use of cleaners containing abrasives, alcohol or other organic solvents, whether performed by a contractor, service company, or yourself, are excluded from this warranty.

DeerValley responsibility under this limited warranty is limited to only to replacement parts and no other costs. DeerValley will not be responsible for labor charges and/or damage incurred by installation, repair or replacement, nor for any indirect incidental or consequential damages, losses, injury or costs of any nature relating to this product Except as provided by law, this limited warranty is in lieu of and excludes all other warranties, conditions, and guarantees, whether expressed or implied, statutory or otherwise, including without restriction those merchantability of fitness for use.

### RESPONSIBILITIES OF OTHERS

Inspecting the unit prior to installation is the responsibility of the installer or building contractor who acts on behalf of the user. They are responsible for ensuring the unit is free of defect or damage.

Notices are placed on and in the unit and on the shipping carton advising the installer of this responsibility.

In the event of a problem, the unit must not be installed. DeerValley is not responsible for failures or damage that could have been discovered, repaired, or avoided by proper inspection and testing prior to installation.

Damage occurring in transit is the responsibility of the carrier. The user or installer MUST open the crate and inspect the unit for damage when it is delivered. If damage is discovered, it must be reported immediately to the seller and the carrier in writing, and an inspection requested. Failure of the carrier to respond should be reported to the seller and the carrier. Your freight claims should be filed promptly thereafter.

### LIMITATIONS AND EXCLUSIONS

This warranty does not cover instances of negligence, misuse, abuse, improper installation, carelessness, accident, hard water or mineral deposits, exposure to corrosive materials, misapplication, damages caused by improper maintenance, alteration of the product, or failure to follow care or installation instructions enclosed with your product. This warranty is void if the DeerValley is subject to alteration, or if repairs are attempted by anyone other than an authorized agent of DeerValley. This warranty does not extend to plumbing or components installed by dealers, installers or by any party other DeerValley.

DeerValley will not be liable for loss of use of the DeerValley inconvenience, or any other incidental or consequential costs, expense or damages. Please note that some states do not allow the exclusion or limitation of incidental damages.

### DISCLAIMER

Except as expressly provided, there shall be no warranty or obligation, express or implied, oral or statutory. No dealer or other person has the authority to make any warranties or representations concerning DeerValley or its products. In no event shall DeerValley be held responsible for any such warranties or representations.

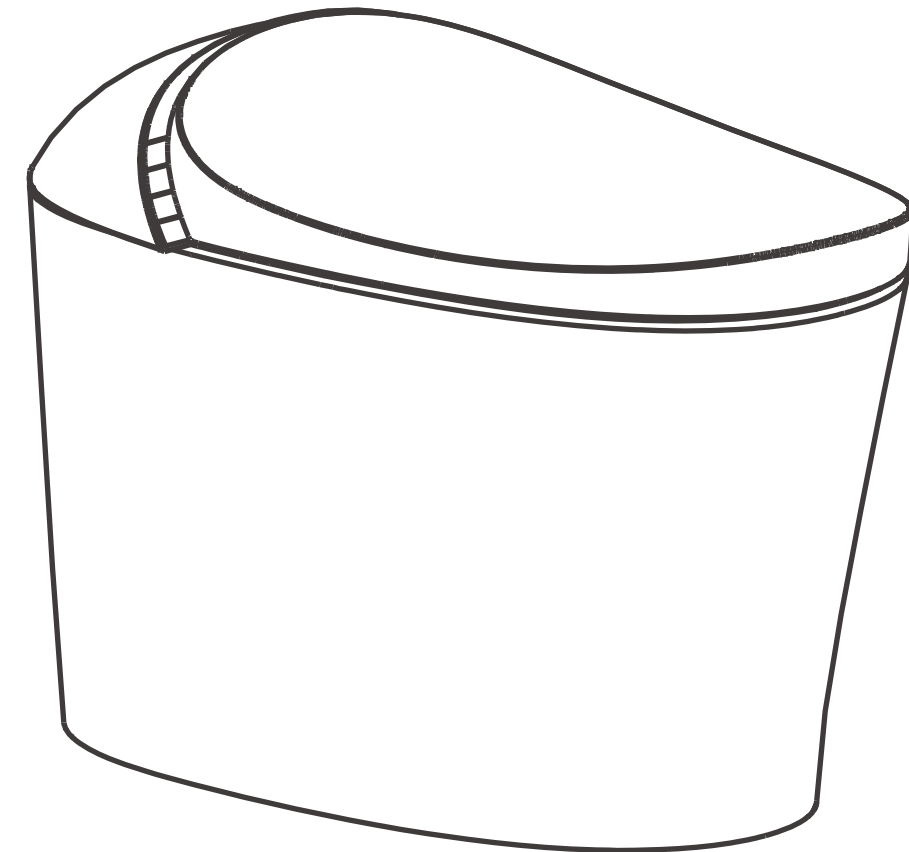
### WARRANTY SERVICE

NOTE: When requesting warranty, be sure to have the following:

- Copy of original invoice
- Date of installation
- Description and pictures of defect
- Model number or description of model

To obtain warranty service and replacement part, please contact DeerValley Customer Service. DeerValley will determine whether to repair or replace your product, issue a refund, or issue a credit.

## Smart Toilet (DV-1S0160-V1)



**NOTE:** Drawings may not exactly define contour of the product.



# TABLE OF CONTENTS

---

● Safety Precautions .....	02
----------------------------	----

---

● Technical Specifications .....	05
----------------------------------	----

---

● Pre-installation .....	06
--------------------------	----

---

● Installation .....	08
----------------------	----

---

● Side Button Operation .....	11
-------------------------------	----

---

● Daily Maintenance .....	12
---------------------------	----

---

● Label Illustration .....	14
----------------------------	----

---

● Troubleshooting .....	14
-------------------------	----

---



## Prior to Installation:

- Inspect toilet to ensure no damages have occurred while in shipping.
- Observe all plumbing and building codes in accordance with your state and local requirements.
- Remove old toilet.
- Make sure mounting surface is CLEAN and LEVEL.

### General Recommendations:

Please read installation and maintenance instructions thoroughly before installing the toilet.  
Be sure to use proper tools and always wear proper personal safety accessories for your protection.

**If you have any questions or concerns  
please contact us:**

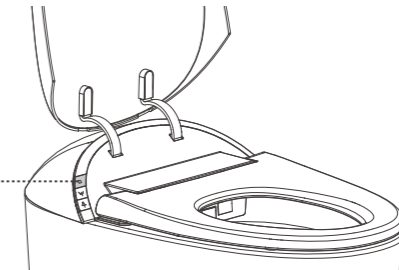
(+1) 312-626-9466  
service@deervalleybath.com

### When water and electricity are cut off

1. Flushing during power outage (under the condition that the spare battery box is connected and has filled battery)

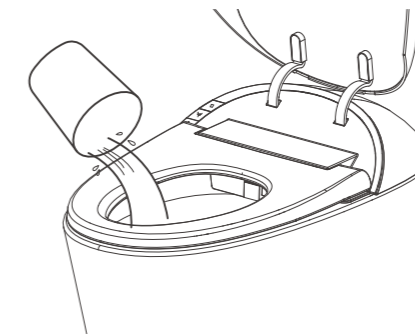
Long press the side button to flush.

Manual flush button





2. Flushing during water outage

Flush the toilet with external water (pour approx. 2 Gallons water into the bowl). Beware of overflow.



### ● Label Illustration

Illustration	Explain
	Seat sensor
	Foot sensor

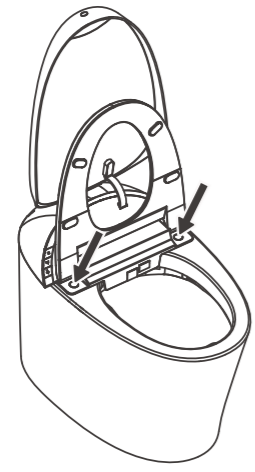
### ● Troubleshooting

Product part or function	Phenomenon	Cause	Solutions
Complete machine	Not working	Whether the power supply is off	Power on
		Whether the leakage protector is off	Press the leakage switch again
		Power failure or not	Wait for power supply
Seat ring heating	Insufficient seat ring temperature	Is the seat temperature gear set to low gear	Reset the seat temperature gear

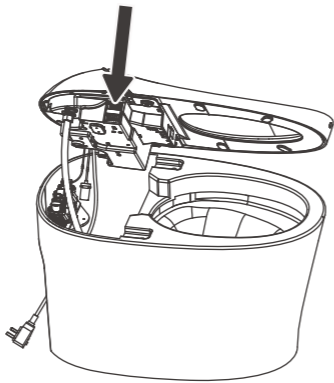
**NOTE:** Drawings may not exactly define contour of the product.

Replace activated carbon

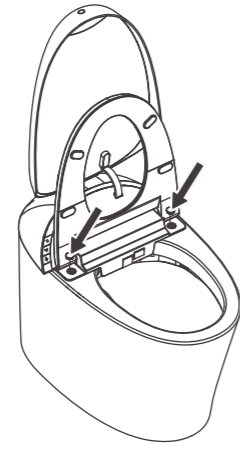
1. Open two rubber plugs, loosen two screws, and pick up two screws and gaskets.



2. Pull out the activated carton box directly, replace the used activated carton with new one. Then insert the box into original place.



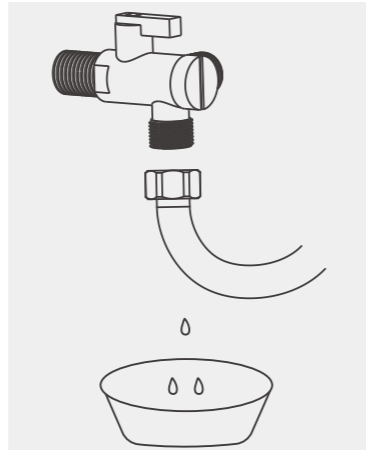
3. Assemble the cover into the ceramic body, lock the screws and cover the rubber plug.



Drain the water in the pipeline when not in use for a long time

- 1. Pull out the power plug to cut off the power.
- 2. Close the inlet angle valve, unscrew the hose from the angle valve, drain the water in the pipeline and reinstall it.

For safety, it is recommended to put antifreeze into the accumulated water in the toilet.



**TIPS**

Before opening the angle valve, the power must be cut off! When using the toilet again, be sure to connect water supply first, then plug in.

NOTE: Drawings may not exactly define contour of the product.

• Safety Precautions

Before installation, please read this manual carefully and install it in strict accordance with the instructions. After reading, please put this manual in a prominent position. Keep the place properly. In order to avoid injury and property damage to users and others, please strictly observe the safety warnings and precautions.

SIGN	MEANING
Warning	It means that if the regulations in this warning are not observed and misoperation is made, serious injury or death may be caused.
Danger	It means that if the regulations in this warning are not observed and misoperation is made, serious injury or death may be caused.

The following signs are used to indicate important safety precautions when using the product.

SIGN	MEANING
	This figure indicates that it is not feasible and [prohibited].
	This figure shows the content that must be enforced.

**WARNING**

Do not install and use this product in damp places. This product must be reliably grounded, and the reliable connection of AC socket ground wire to the ground should be ensured. The grounding wire should use a tripod socket. If you are not sure whether it has been reliably grounded, please ask a qualified electrician or maintenance personnel to check and confirm. Please ensure that the wiring of the power socket conforms to the national standard (zero on the left and fire on the right) and cannot be reversed.

This product must be connected to a special standard socket and wiring with a 120V/60Hz load current of at least 10A, and the socket must be equipped with earth fault circuit breaker or earth leakage protector or similar high sensitive and fast leakage switch (rated sensitive current below 10mA).

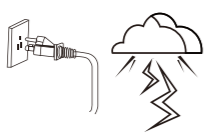


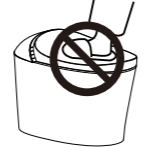

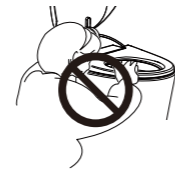










It is forbidden to use the power extension cord or loose and unstable power socket, otherwise it may cause fire or electric shock.

Do not touch the product that has fallen into water or soaked in water, and immediately unplug the power plug.

The lit cigarettes and other combustibles cannot be put into the toilet cover, otherwise it may cause fire. It is forbidden to disassemble, repair or modify the product by yourself, otherwise it may cause fire or electric shock.

If the power cord is damaged, in order to avoid danger, it must be replaced by professionals from the manufacturer, its maintenance department or similar departments.

NOTE: Specialized tools may be necessary to install DeerValley Smart Toilet, plumbing not included.

⚠ WARNING	
<p>Please pull out the power plug when it thunders.</p> 	<p>Do not use water other than tap water, otherwise it may cause skin inflammation and other problems.</p> 
<p>If the product function is abnormal or fails, please stop using it immediately and cut off the power supply, and contact the service provider in time.</p> 	<p>Do not stand on the ceramic toilet, and do not hit the ceramic with gravity to prevent damage and water leakage.</p> 
<p>When used by people (including children) with physical, cognitive and intellectual disabilities or lack of experience and common sense, it is necessary to use this product under supervision, patients with heart disease should use it carefully. Do not let children play with this product.</p> 	<p>Do not put fingers or other objects into or block the drying air outlet, otherwise it may cause scald, electric shock or burn.</p> 
<p>If it is not used for a long time, the power supply and water supply must be cut off.</p> 	<p>It is forbidden to use other electrical appliances on the same socket.</p> 
<p>It is forbidden to disassemble, repair or modify the product by yourself, otherwise it may cause fire or electric shock.</p> 	<p>When the product is powered on, it is not allowed to put the product sideways or upside down, otherwise it may cause fire or burn.</p> 
<p>Banana water, gasoline, liquid medicine, detergent, insecticide, toilet cleaner and hard brush are prohibited to clean this product.</p> 	<p>The socket shall be installed in a place that is not easy to be soaked by water. It is recommended to use waterproof socket.</p> 
<p>Do not pour water or detergent on the machine body or power plug, otherwise it may cause fire or electric shock.</p> 	<p>The new hose assembly and other attached or designated parts attached with the appliance shall be used for installation. The old hose assembly cannot be reused, otherwise, it may cause water leakage, fire or electric shock.</p> 
<p>This product is an electrical product. It is forbidden to put it in a place that is easy to be soaked by water. Do not pour urine or other liquids onto the body.</p> 	<p>When the product is moved indoors from a cold or wet place, it should be stored for 2 hours to fully volatilize the condensed water in the machine, and then it can be started for use, to avoid short circuit of products.</p> 

NOTE: Drawings may not exactly define contour of the product.

### • Daily Maintenance



#### Maintenance of body

##### 1. Cut off the power supply

Please cut off the power supply before maintenance.

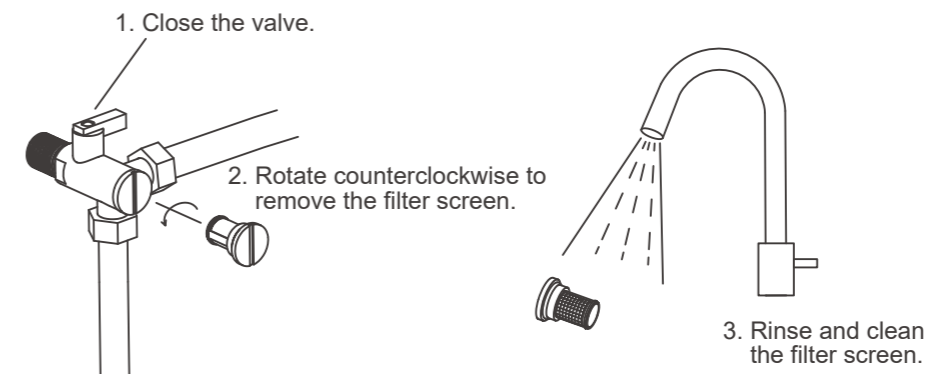
##### 2. Wipe with soft cloth

Please wipe the dirty parts with a soft damp cloth and then let it dry.

##### 3. Safety self-inspection

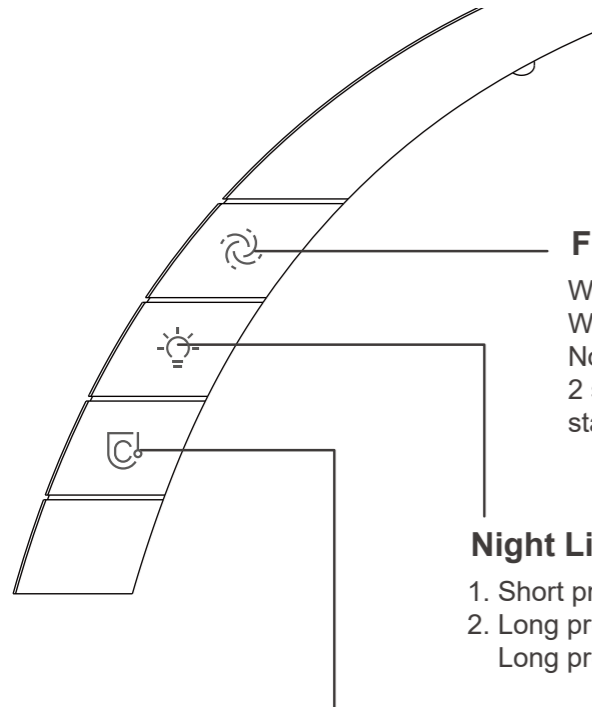
Please reconnect the power supply after cleaning.

#### Filter screen cleaning



NOTE: Drawings may not exactly define contour of the product.

### • Side Button Operation



#### Flush

When human is seated, short press to perform full flush;  
When human is off-seat, short press to perform half flush.  
Note: When human is off-seat, long press this button for 2 seconds to enter standby mode. Press any button to exit standby mode.

#### Night Light

1. Short press this button to turn on/off the night light.
2. Long press this button to enter mute mode.  
Long press again to exit mute mode.

#### Seat Temp

Adjustable Seat Temperature: Tailor your comfort with three temperature settings—room temperature, 93°F, and 100°F.

#### Other function:



1. Automatic pre-wetting inner bowl after human on seat  $\geq 2$  seconds.
2. When  $10 \text{ seconds} \leq \text{seating time} \leq 30 \text{ seconds}$ , system perform half flushing after human leave the seat;
3. Seating time  $> 30$  seconds, system perform full flushing after human leave the seat.



Foot sensor to perform half flushing.

**NOTE:** Drawings may not exactly define contour of the product.

**WARNING**

<p>Do not place the product where it may fall or be pulled into the bathtub or sink. </p>	<p>Do not connect the water pipe with the outlet pipe of the water heater. The water inlet temperature is 41°F-104°F. If it exceeds the specified range, it may cause internal heating. The component does not work properly. </p>
<p>Do not put this product in water or other liquids. </p>	<p>When using this product, do not lean back on the toilet cover to avoid damaging the product. </p>
<p>Do not touch the product that has fallen into water or soaked in water, and immediately unplug the power plug. </p>	<p>Please do not flush newsprint, paper urinal pads, women's sanitary napkins and other easily clogged items into the toilet. </p>
<p>It is forbidden to embed cementitious materials (cement mortar) into the base of the ceramic toilet, otherwise the ceramic toilet may be cracked due to expansion. </p>	<p>Do not use the product in an environment below 0°C. If the room temperature is lower than 32°F, the water in the water supply line of the product must be drained. Prevent the water way from freezing and cracking, causing water leakage or fire during later use. </p>
<p>Do not exert strong force or impact, do not stand on the seat ring, toilet cover or this product, and do not place heavy objects. </p>	<p>To prevent damage caused by freezing, please take measures to keep warm and increase the temperature of the toilet. </p>
<p>Do not let the sun shine directly on the product to avoid discoloration and affect the reception effect of the remote control. </p>	<p>When installing, disassembling, repairing and maintaining the product, you must unplug the power plug and close the water supply valve. </p>
	<p>The seat ring and toilet lid of this product would lower slowly. Do not press hard to avoid damaging it. </p>

**NOTE:** Drawings may not exactly define contour of the product.

### • Technical Specifications

Rated voltage		120V~
Rated frequency		60Hz
Rated power		30W
Pressure of Water supply		20.31psi-116.03psi
Ambient temperature		32°F - 104°F
Toilet Flushing	Flushing type	Jet Siphon
	Rough in	12"
Heating seat	Seat heating power	40W
	Seat temperature	Room temperature, 93°F-100°F (3 levels)
	Safety device	Temperature sensor, temperature fuse, temperature controller, grounding protection
Product size		28.1*17*19.8in
Water proof rate		IPX4

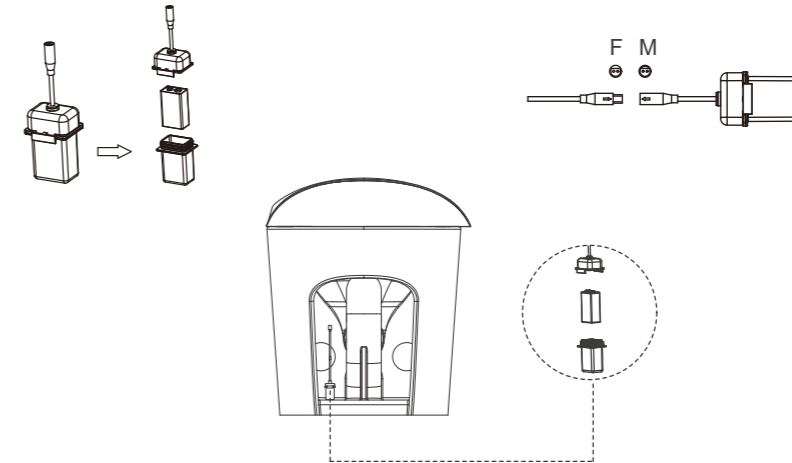
#### Note:

Rated Power: To determine the rated power of the product, it is tested under specific conditions. The testing conditions include an ambient temperature of 73.4°F and setting the seat temperature to the highest level. The product is then operated for 5 minutes to obtain an average power consumption reading.

NOTE: Drawings may not exactly define contour of the product.

### 10. Install the battery box

1. Put battery (9V, not included) in the battery box.
2. Connect the line

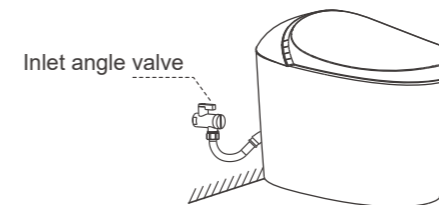


#### Battery replacement

1. Remove the battery box from the back of the toilet and pull out the battery box connector.
2. Open the battery box, remove the old battery and replace it with a new one.
3. Plug in the battery box connector and the toilet cable and put them back on the back of the toilet.

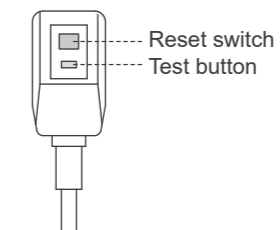
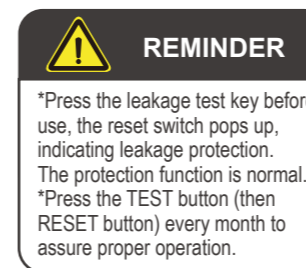
### 11. Open the angle valve

Check the tightness of the threaded connection to make sure there is no water leakage. Turn the angle valve counterclockwise and adjust the opening to the maximum.



### 12. Power on

Plug the leakage protection plug into the power socket, press the reset switch, and the plug indicator light will be on, indicating that it is powered on.



\*It is applicable to the model with leakage protection plug. The leakage protection plug is subject to the actual object.

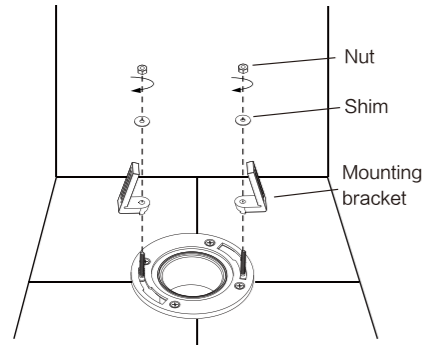
### 13. Safety Self-Inspection Procedure:

- a. Upon powering on, the main engine buzzer will ring a "tick" sound, the system will activate the night light, and commence a self-test.
- b. Completion of the self-test is signaled by an automatic half flush. With the function mode activated, the toilet is ready for normal use.

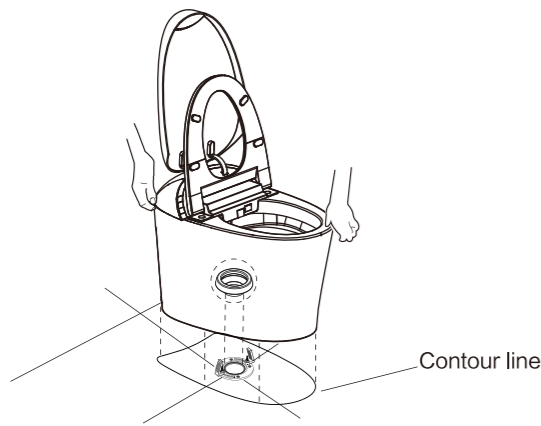
NOTE: Drawings may not exactly define contour of the product.



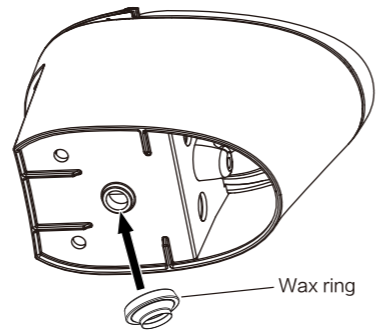
5. Assemble the mounting bracket with bolts and then install them to the pre-installed flange plate on the ground and lock tight with nuts.



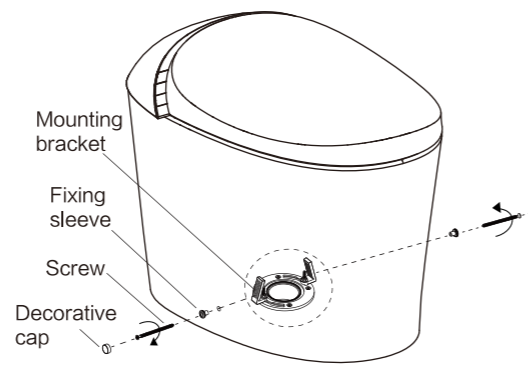
7. Install waxing ring into drain outlet; Install ceramic toilet on corresponding position according to contour line.



6. Insert the wax ring under the toilet.

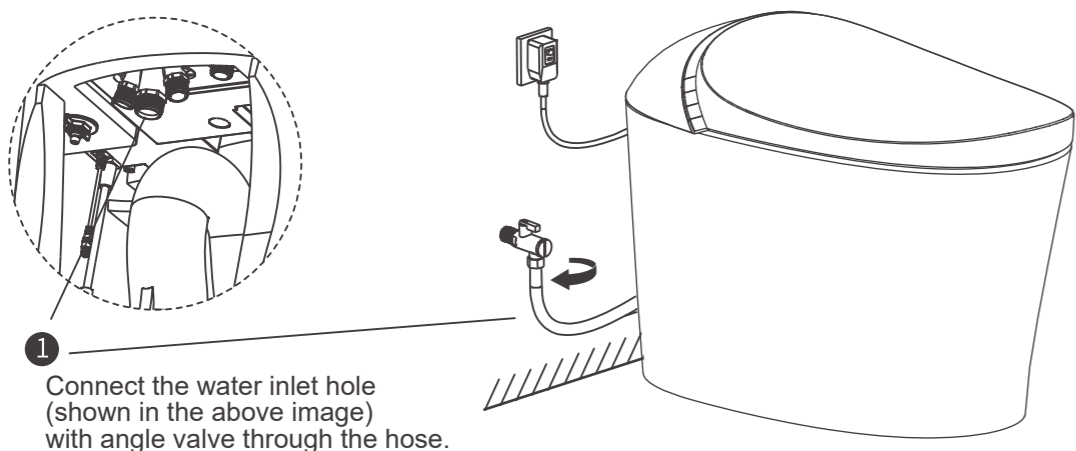


8. Put the screw through the fixing sleeve and then install it through the holes (on both sides of the toilet ceramic) to the mounting bracket on the ground, and lock tight with a tool, put the decorative cap on the fixing sleeve.



9. Connect hose and angle valve

As illustrated below, connect and securely tighten the inlet hose to the angle valve.

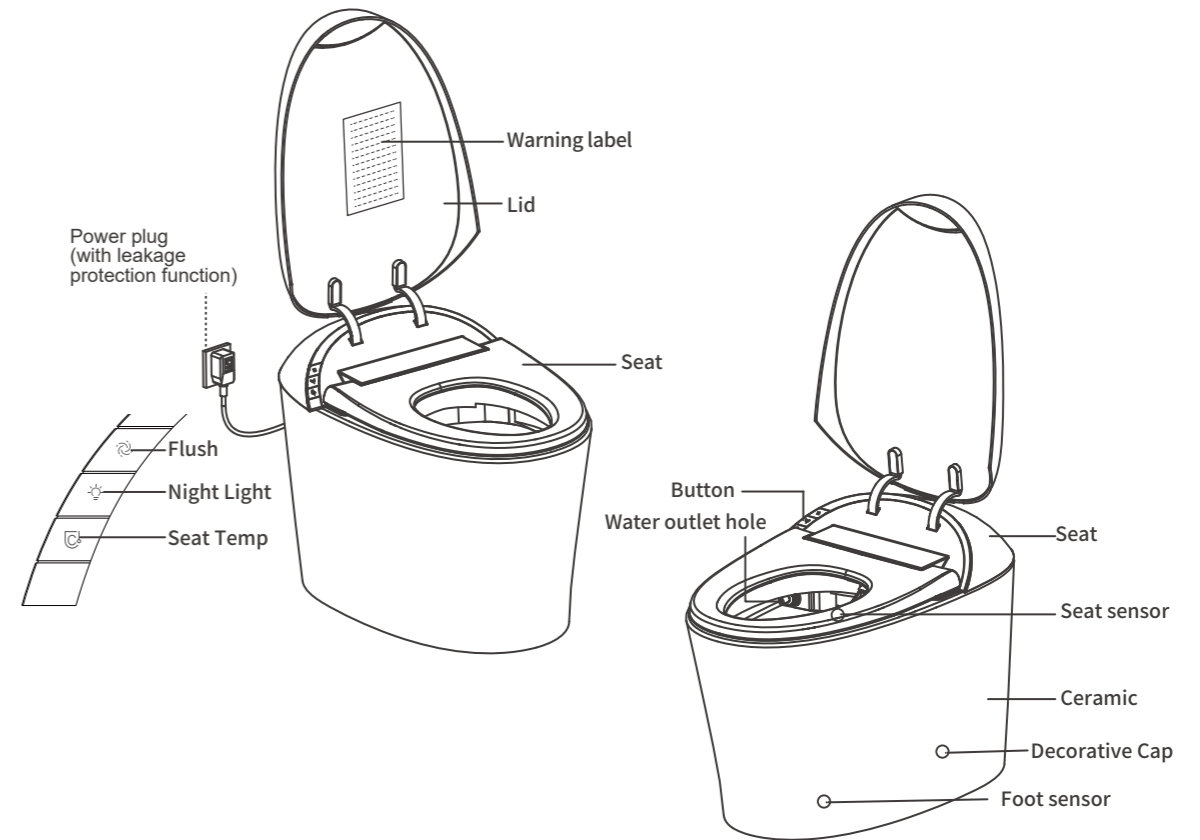


1. Connect the water inlet hole (shown in the above image) with angle valve through the hose.

**NOTE:** Drawings may not exactly define contour of the product.

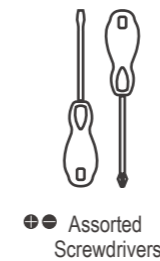
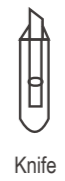
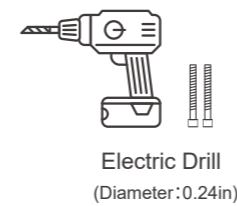
### • Pre-installation

#### Parts diagram



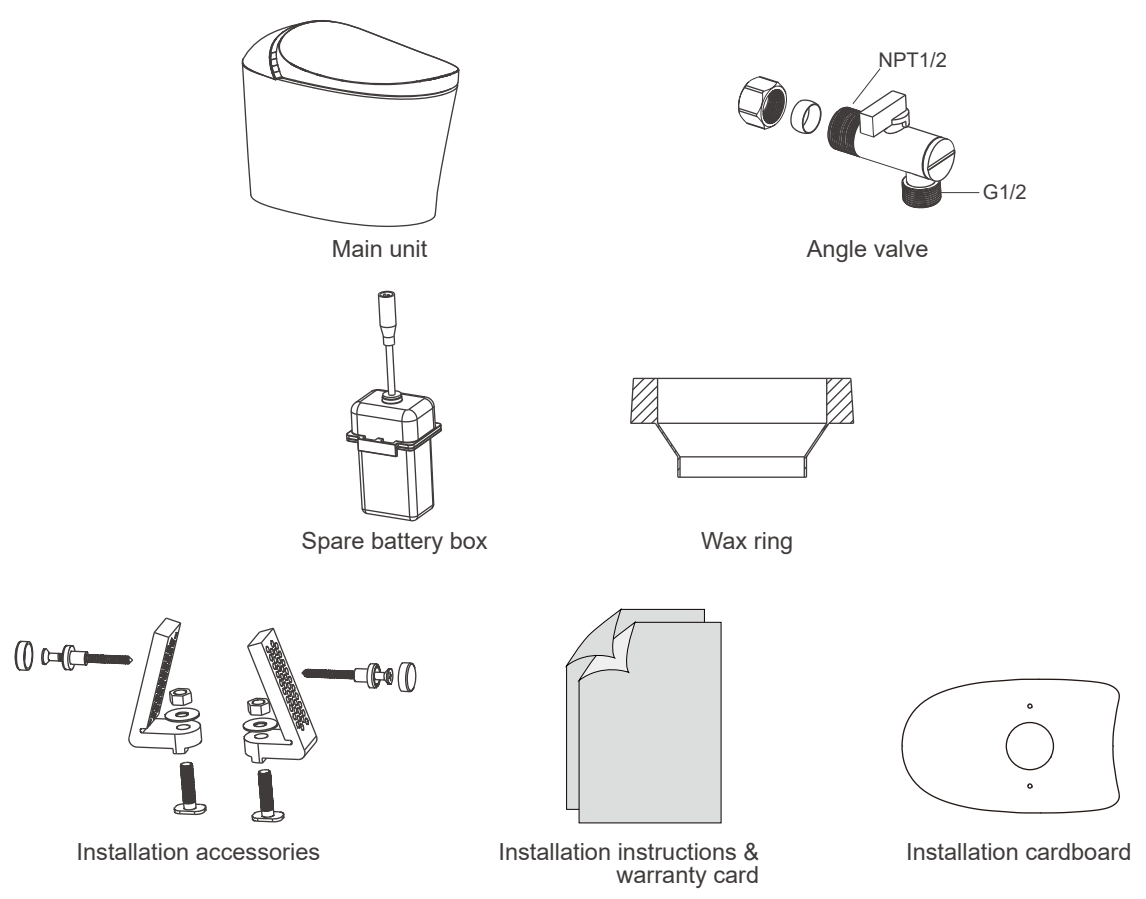
#### Tools required

Please prepare the following required tools before installation.



**NOTE:** Drawings may not exactly define contour of the product.

### Hardware Included



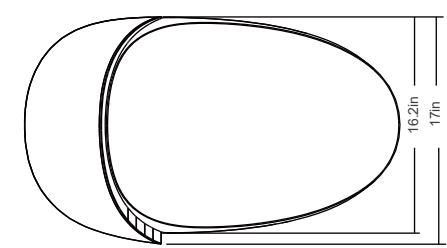
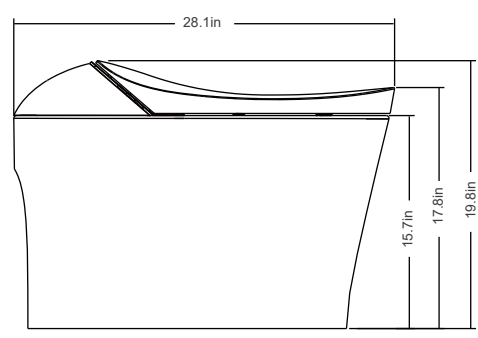
Part	Quantity	Part	Quantity
Main unit	1	Spare battery box	1
Wax ring	1		
Angle valve	1		
Installation accessories	1 Set		
User manual	1		
Installation cardboard	1		

Picture for reference only

**NOTE:** Drawings may not exactly define contour of the product.

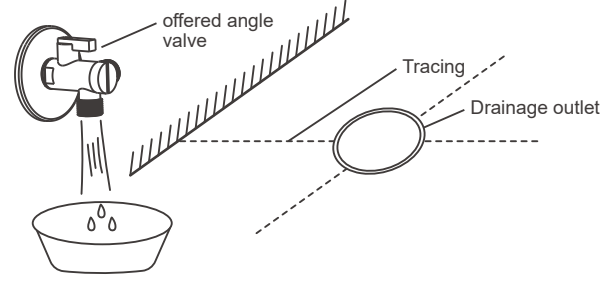
### • Installation

Technical drawing (unit: in)



#### 1. Install the offered angle valve

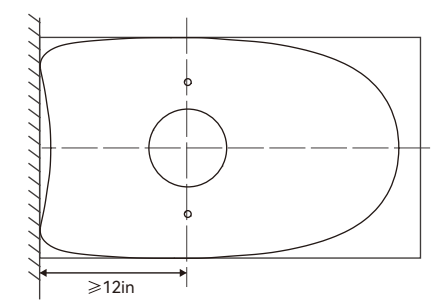
Mark the center line of the drain outlet on the ground, and install the water inlet angle valve at a suitable position on the wall according to the size of the toilet.  
After installing the angle valve, open the valve to discharge the sewage.



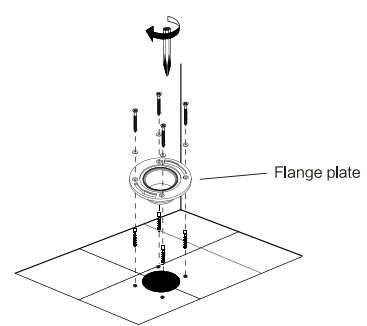
#### 2. Mark the drain with a cross line

##### Cardboard installation

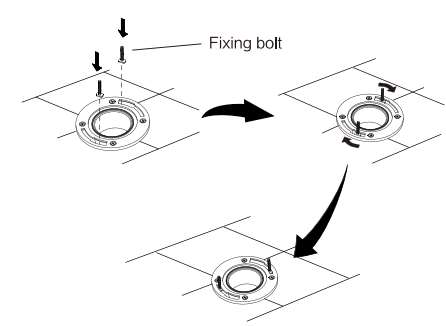
- Align the cardboard with the center line of the drain;
- Draw contour lines from cardboard.



#### 3. Install the flange plate



#### 4. Insert the wax ring under the toilet.



**NOTE:** Drawings may not exactly define contour of the product.