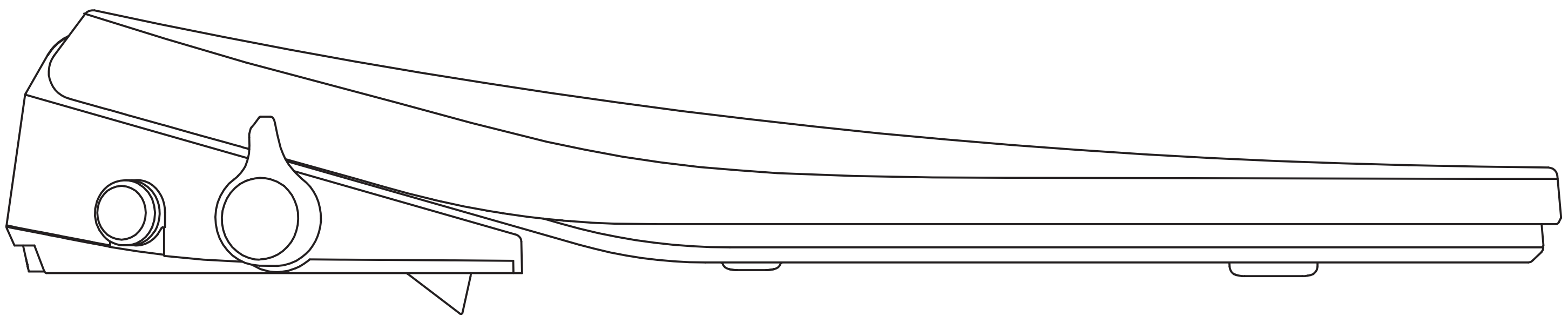


Bidet Seat (DV-1S0028)



NOTE: Drawings may not exactly define contour of the product.

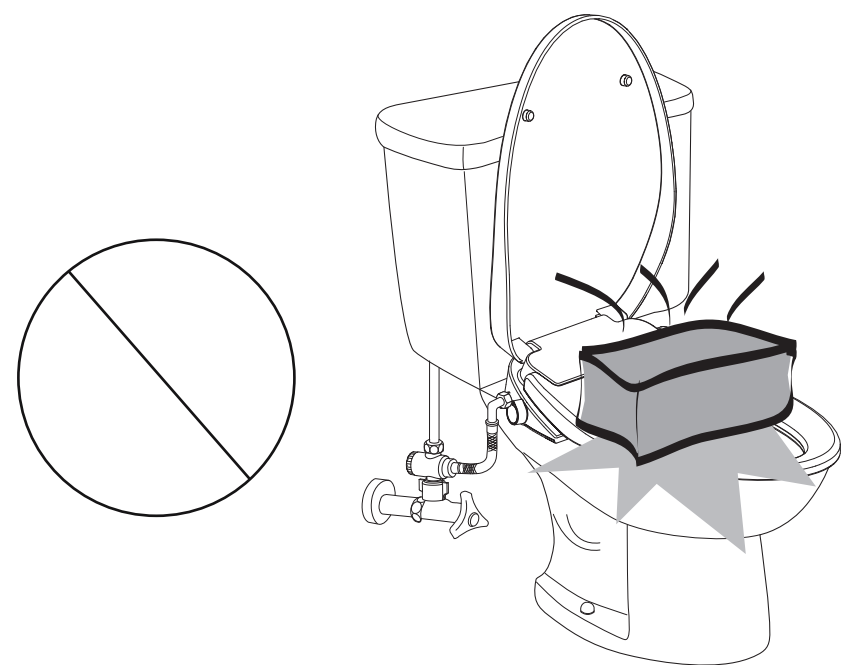
Contents

- Thank you for purchasing our bidet seat. Please read the manual for proper usage.
- Please store it conveniently for future reference.

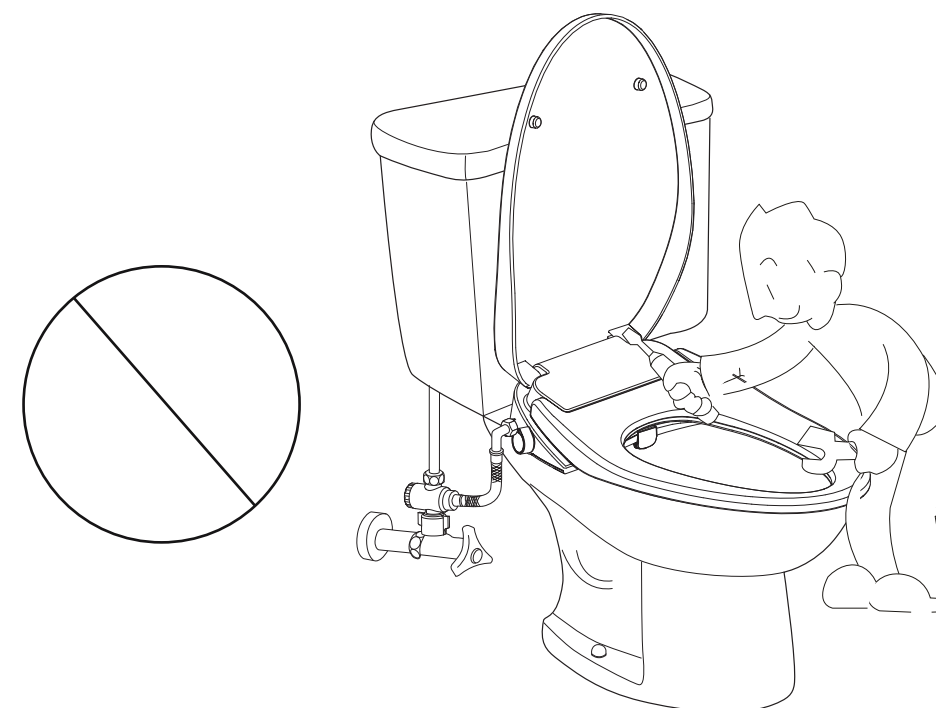
<p>Safety notes 1</p> <p>Product description 2</p> <p>Component description 3</p>	Before use
<p>Installation steps 4</p> <p>Fuction introduction 6</p>	Installation and use
<p>Cleaning and maintenance 7</p> <p>Product technical specification 8</p> <p>Faults and solutions 8</p> <p>Warranty information 9</p>	Other matters

Safety notes

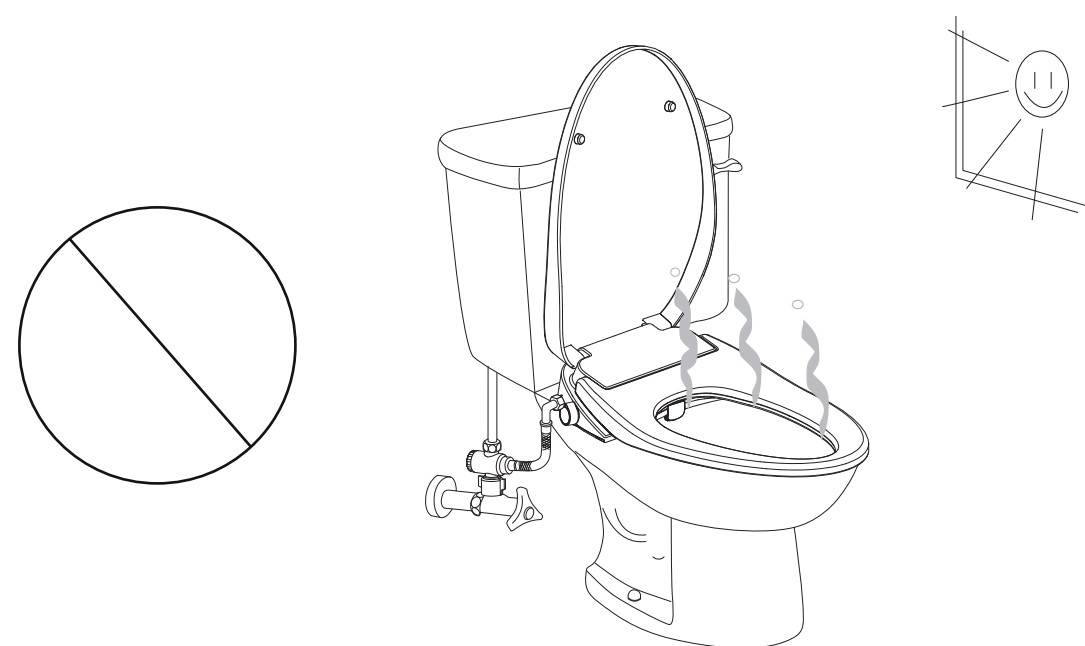
Read the safety instructions carefully before use so as to properly use the product. Note the following warnings relevant to the safety.



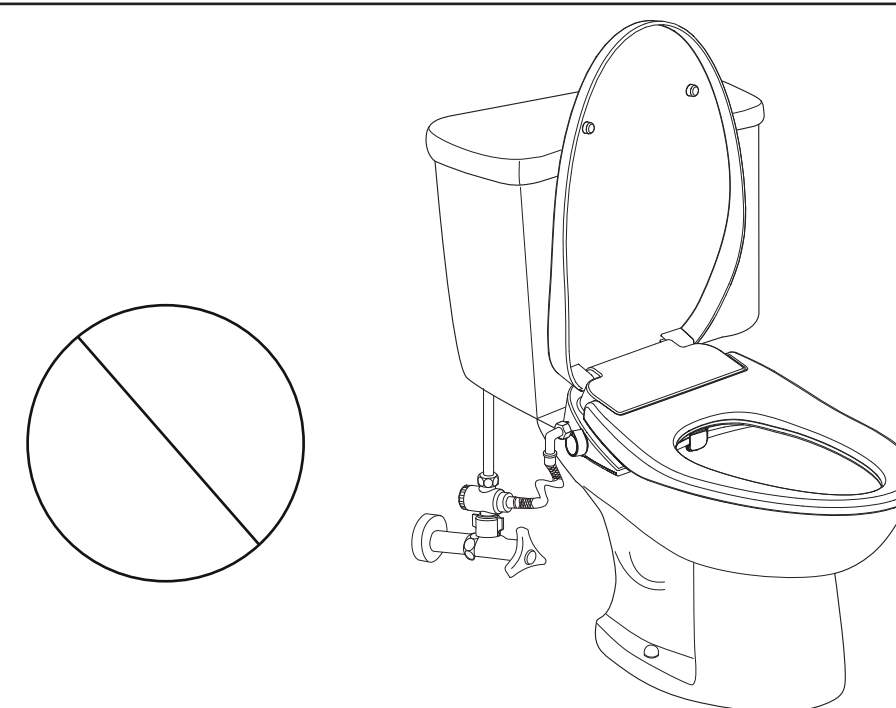
Do not place heavy objects on the toilet seat or the toilet cover



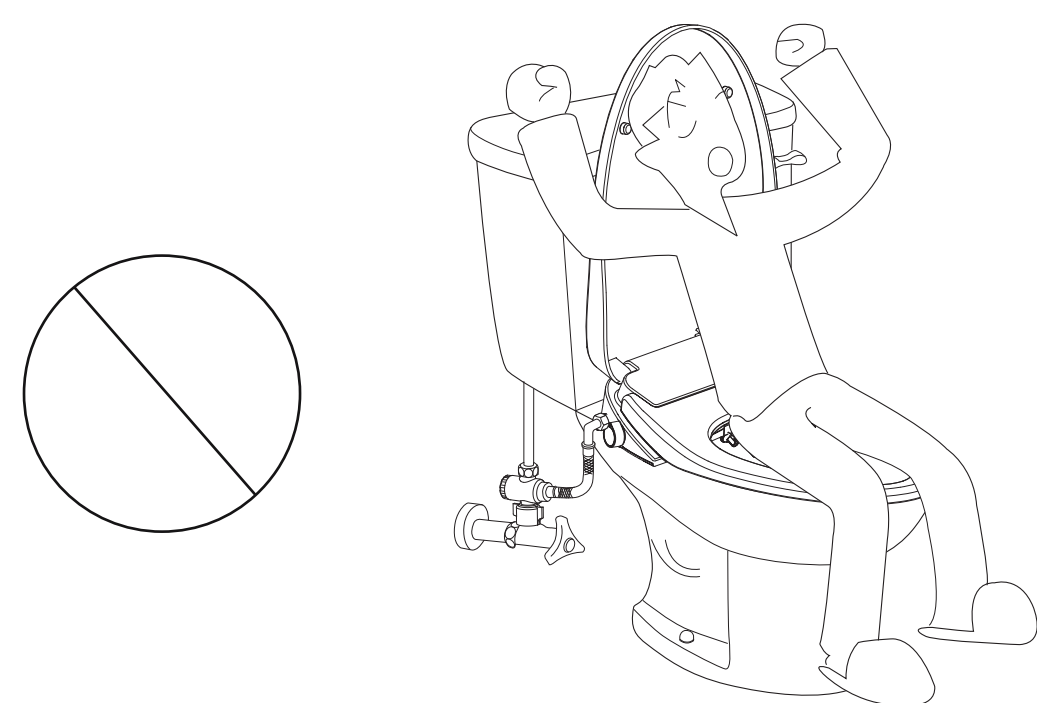
Do not disassemble, repair and modify products by without authorization.



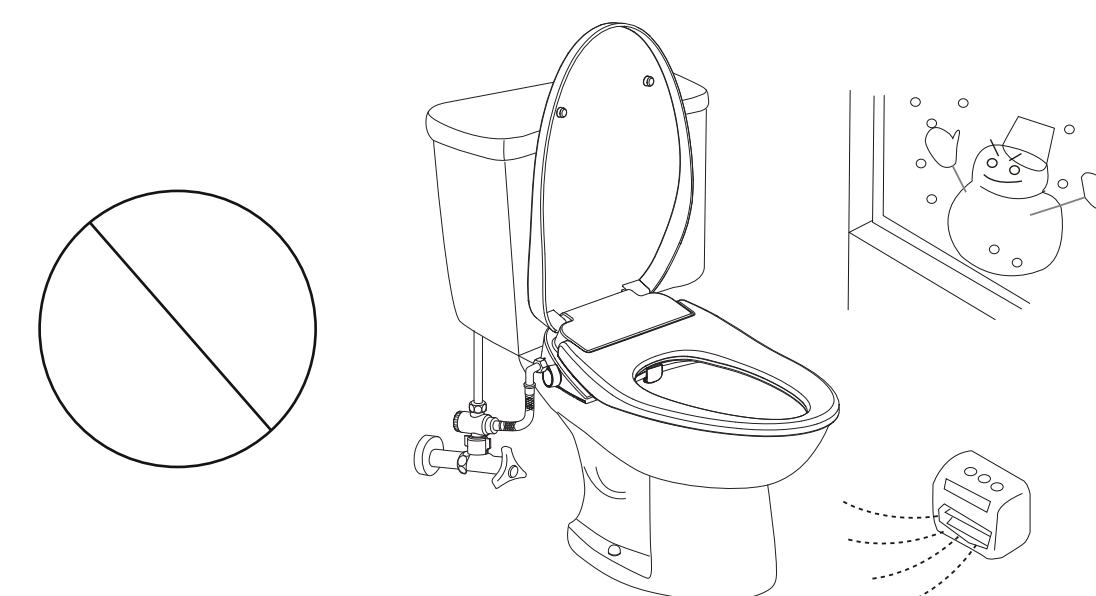
Do not place this product in direct sunlight.



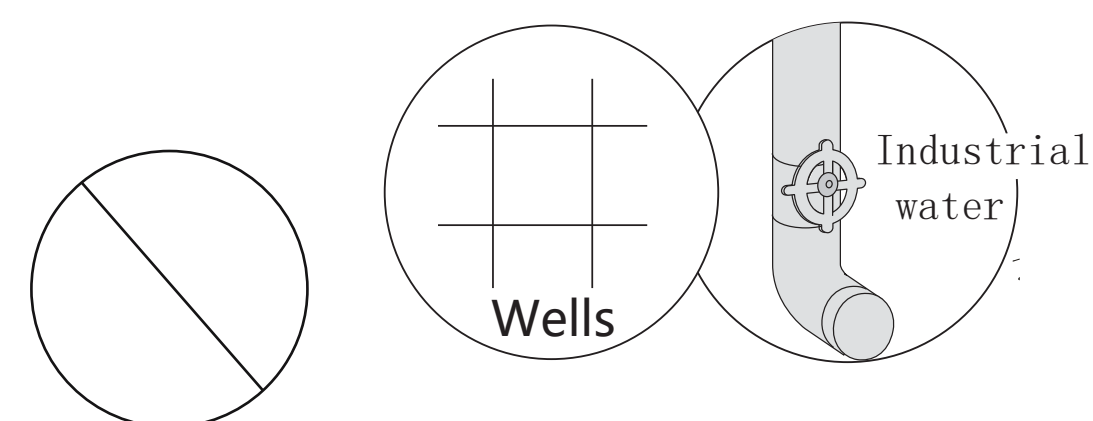
Do not bend or twist the water supply hose.



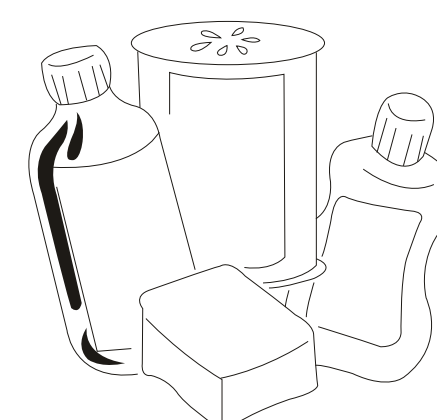
Do not lean against the toilet lid when in use



The room temperature of toilet shall be above 0°C.



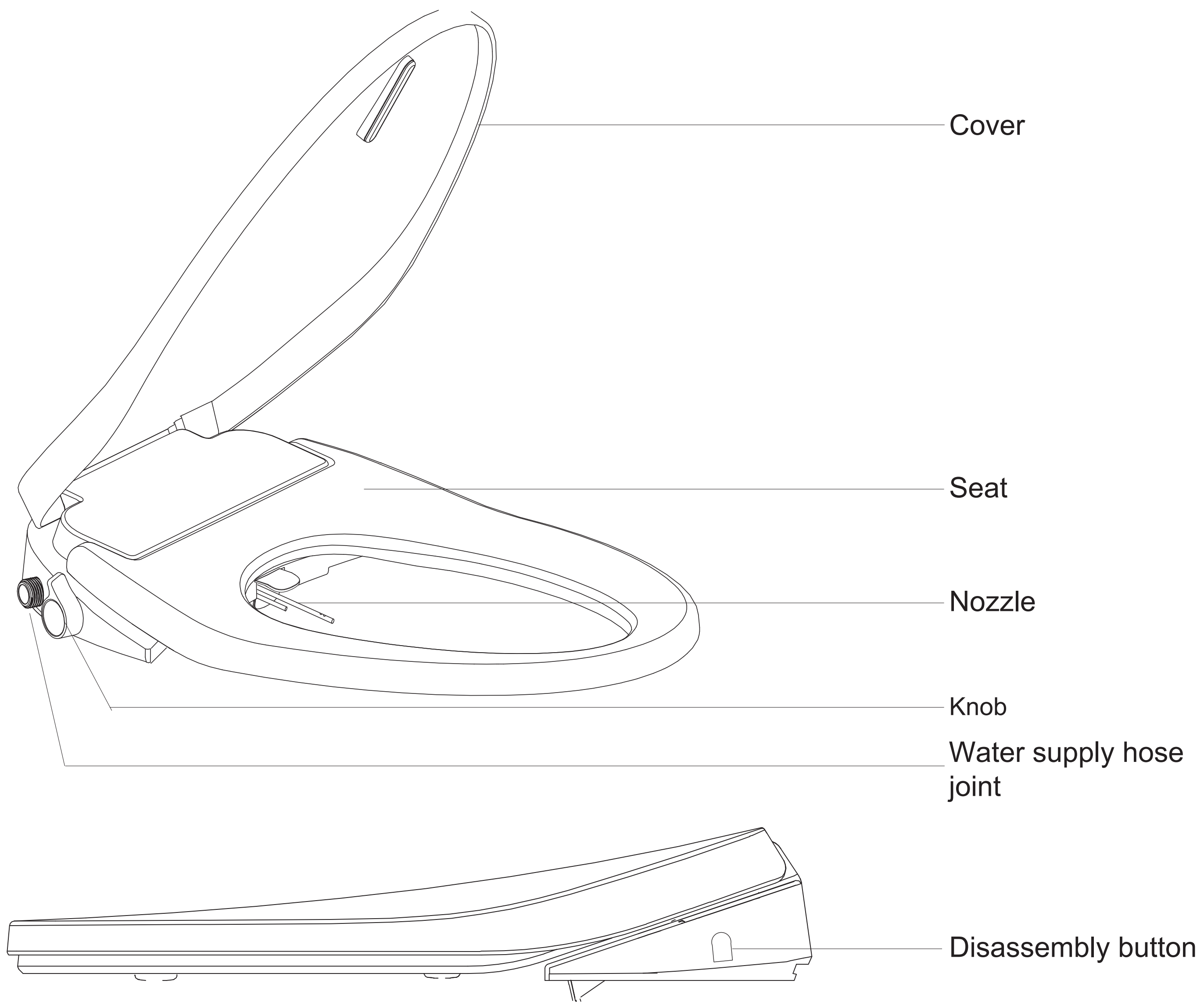
Do not connect to the substandard water pipe.



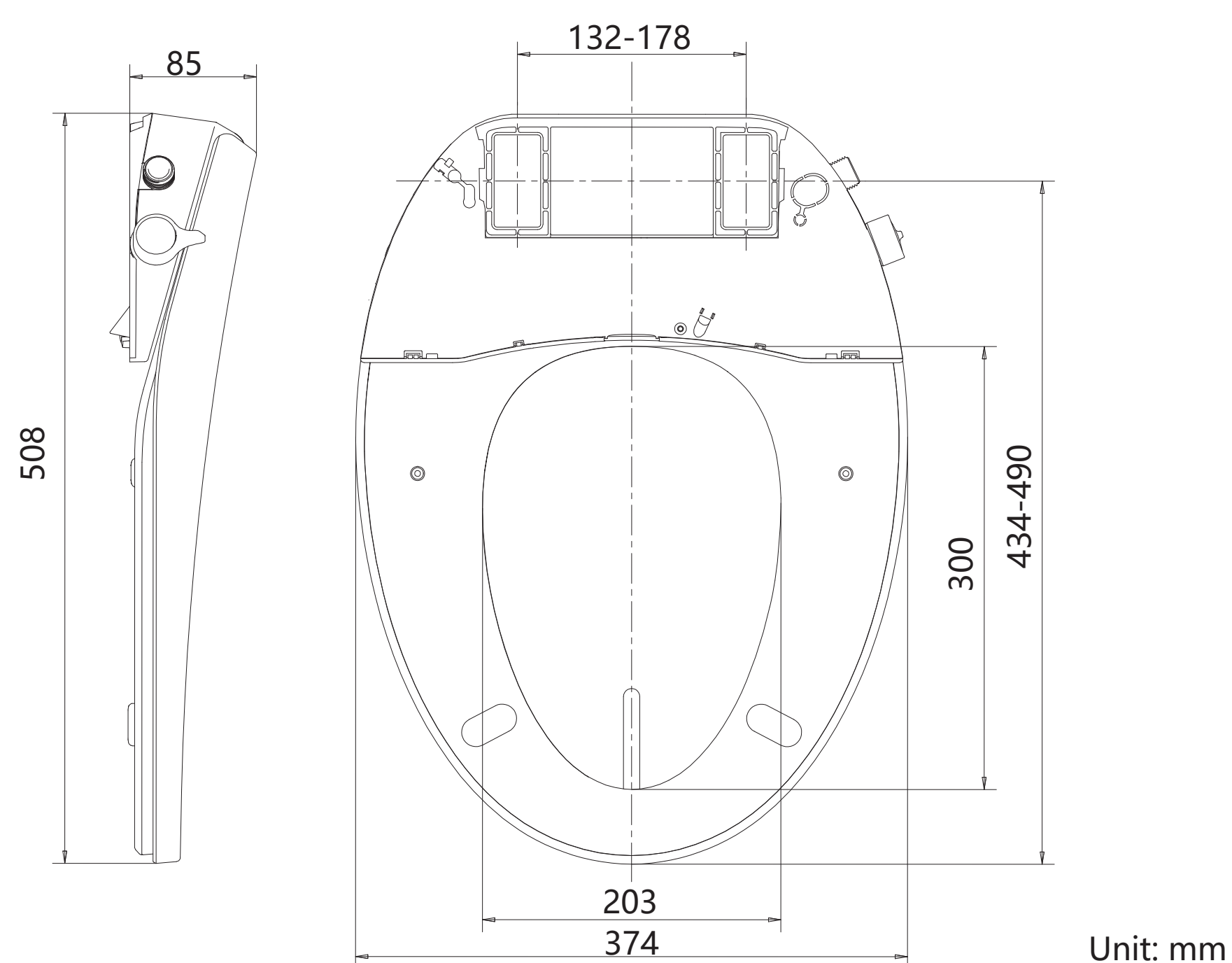
Please use the diluted kitchen cleaning agent for cleaning purposes and refrain from using the following items: Benzene, paint thinner, detergent powder, nylon brush, etc.

NOTE: Specialized tools may be necessary to install DeerValley Bidet Seat, plumbing not included.

Product description



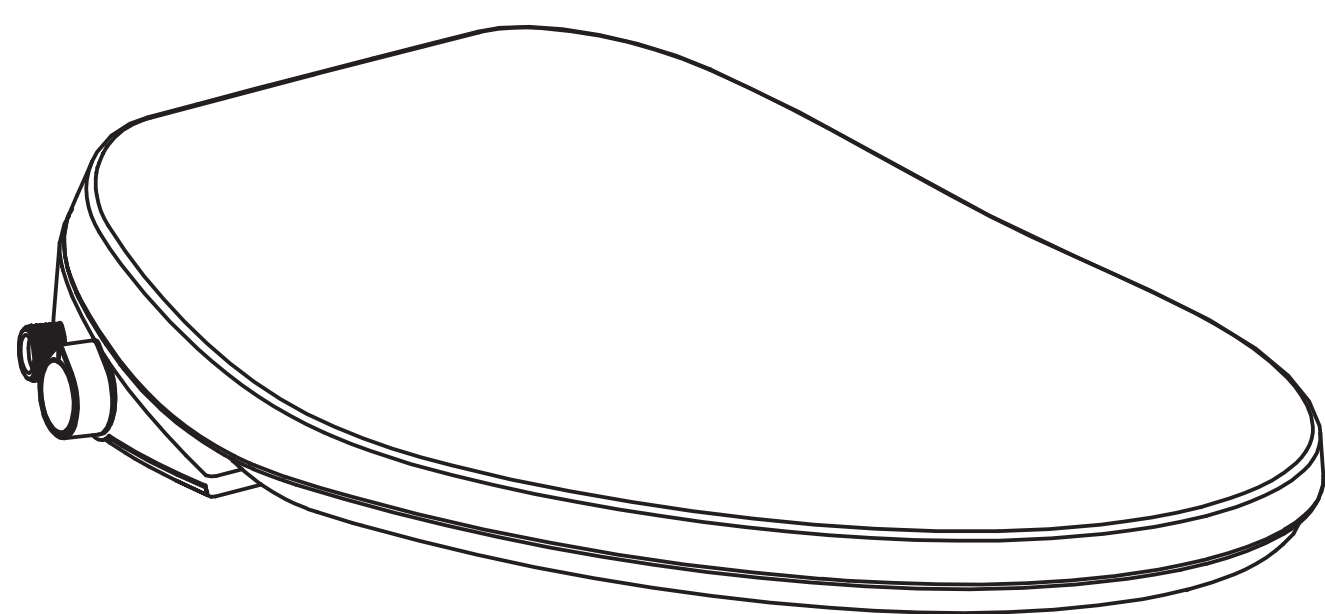
- Product dimension drawing



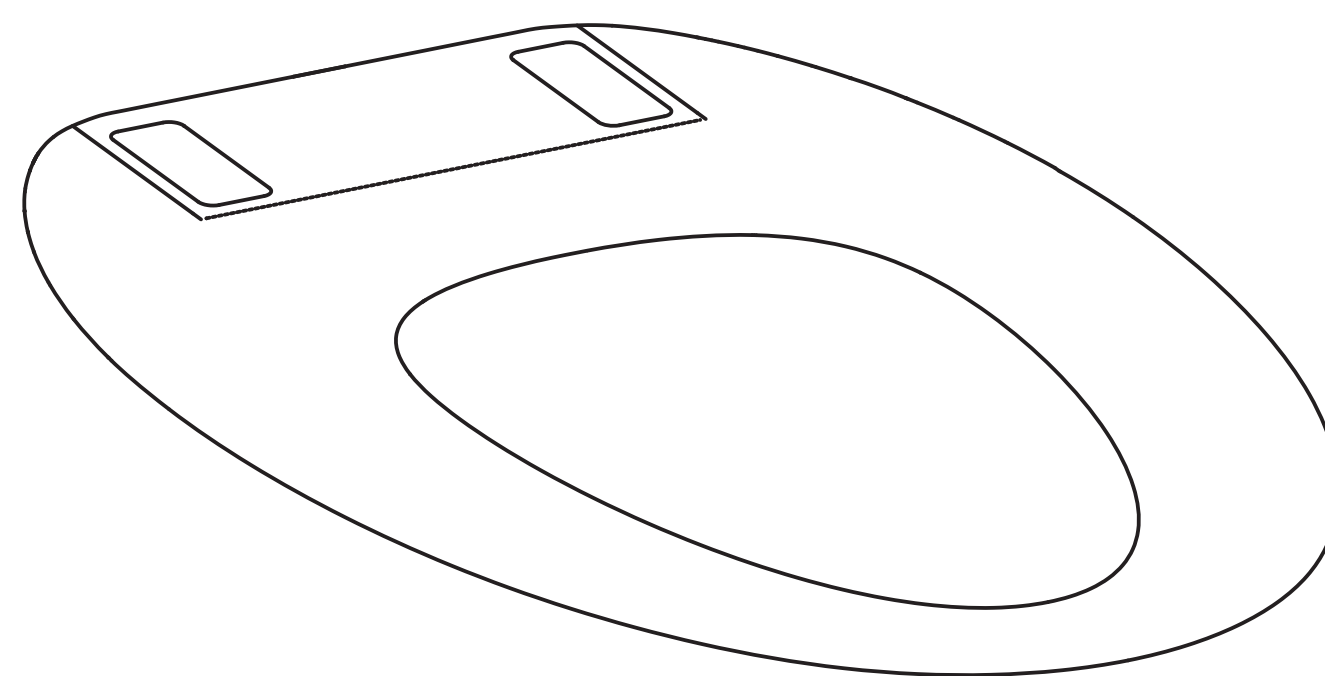
NOTE: Drawings may not exactly define contour of the product.

Component description

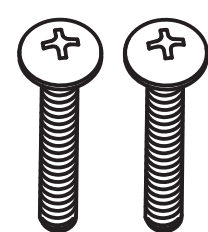
1. Cover plate



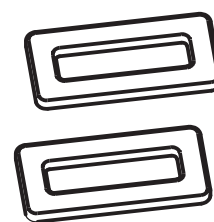
2. Installation template



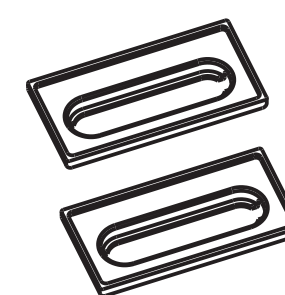
3. Fixation part



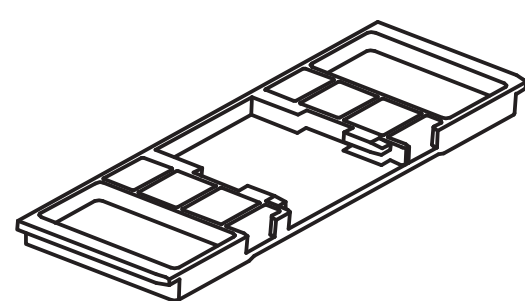
Connecting bolt (2)



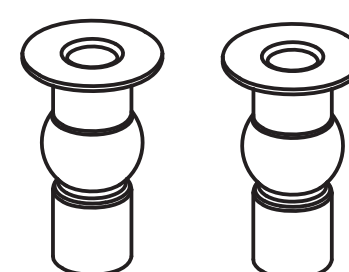
Adjustment sheet (2)



Plastic TAB (2)

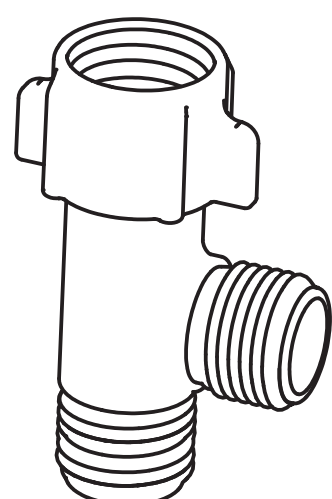


Fixing plate

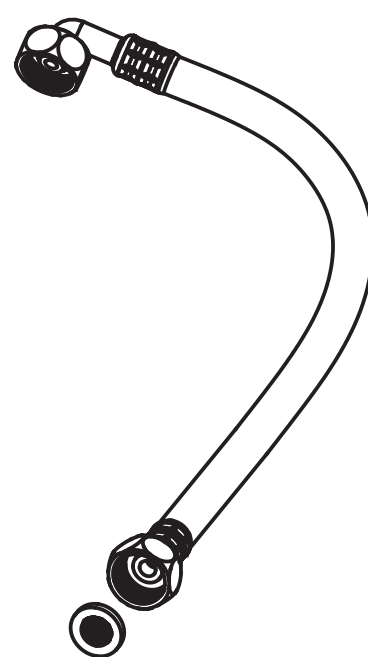


Rubber bushing (2)

4. Adapter

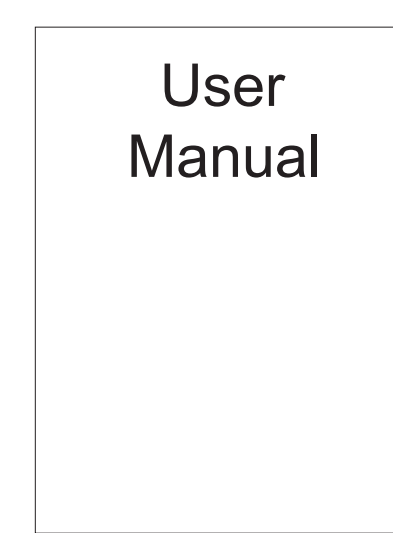


5. Water inlet hose



Filter screen

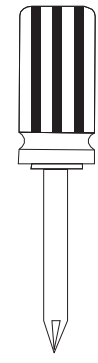
6. User manual



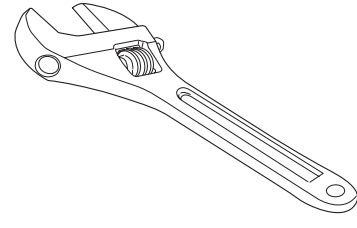
NOTE: Drawings may not exactly define contour of the product.

Installation steps

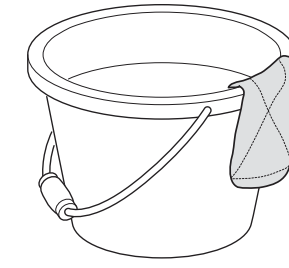
• Installation tools



Cross screwdriver



Monkey wrench



Barrel and rag

• Attention before installation

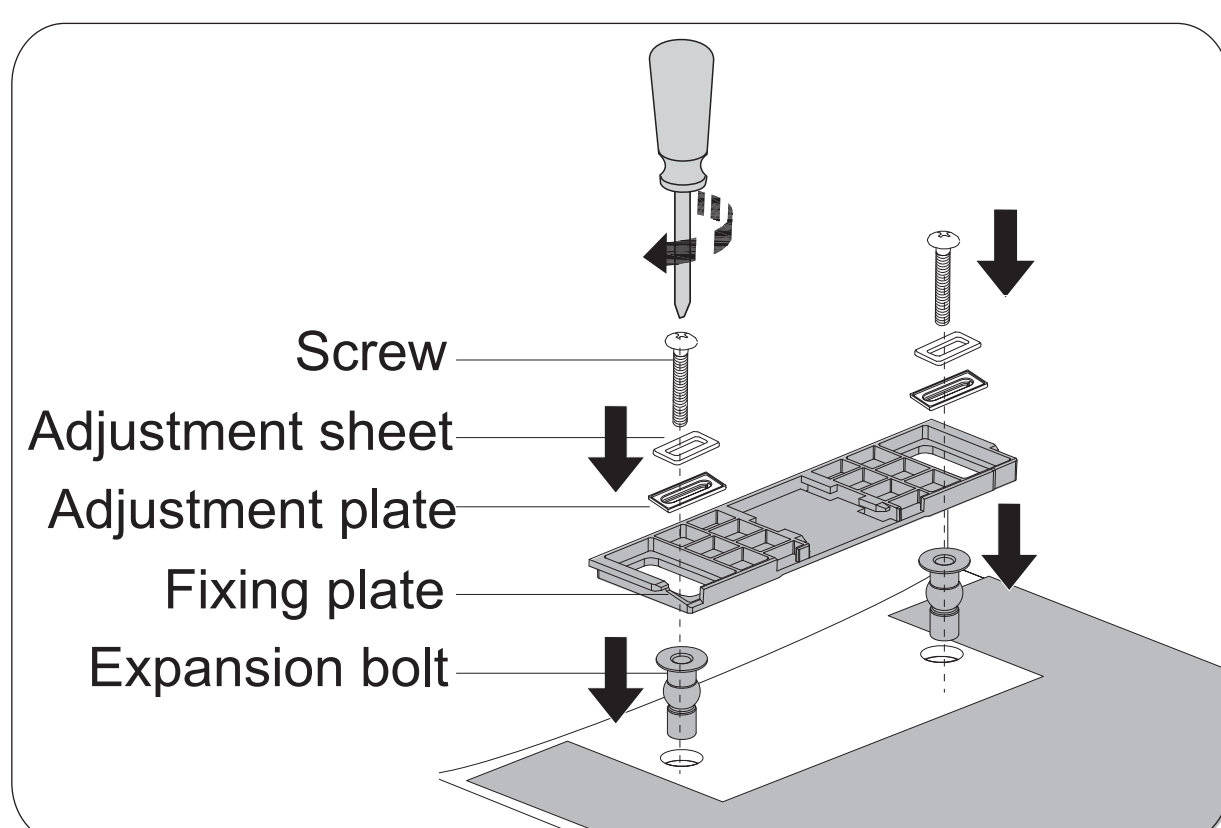
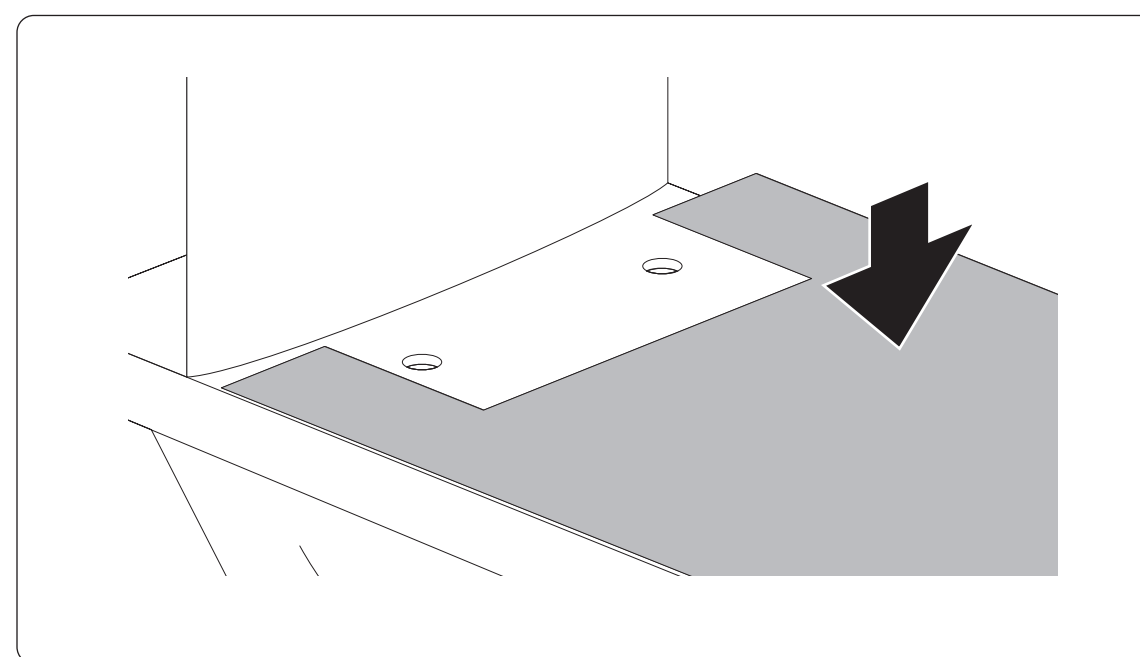
1. Water pressure range: 0.07-0.75MPa, please follow the instructions.
2. Corner valves shall be located close to the location where this product is installed and disassembled.
3. Please use the braided hose that comes with the product to prevent water leakage.
4. When installing braided hose, be careful to prevent the black gasket falling out.

• Installation Procedure

1. Loosen the nut connecting and remove the old cover.

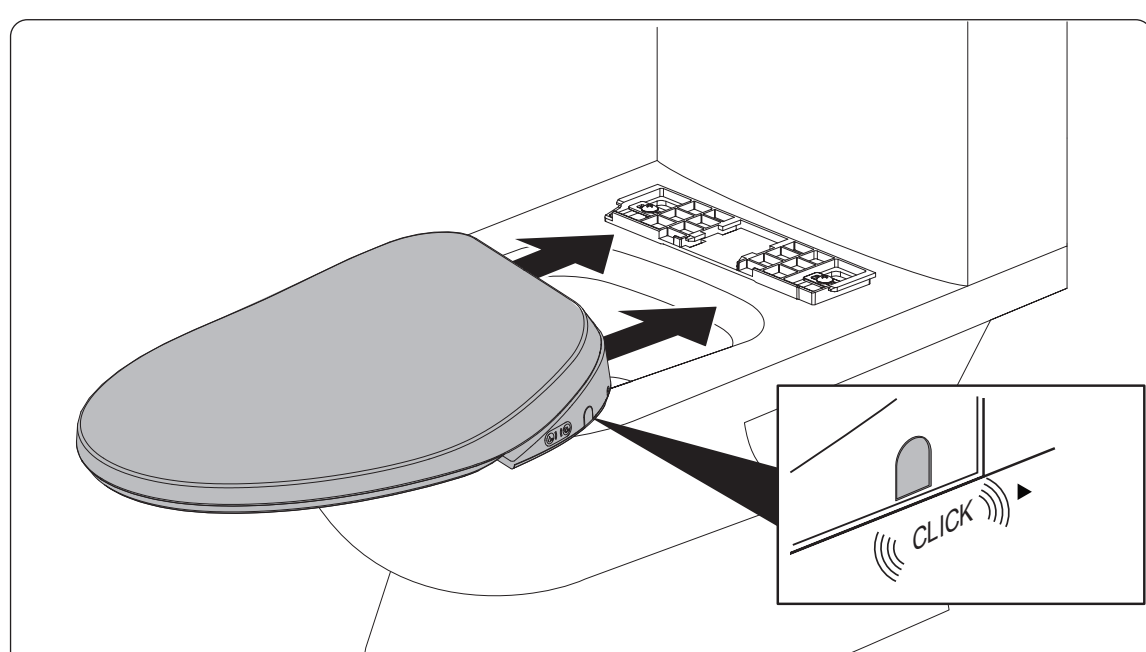


2. Place the mounting template on the ceramic as shown. Align it with the rim of toilet.

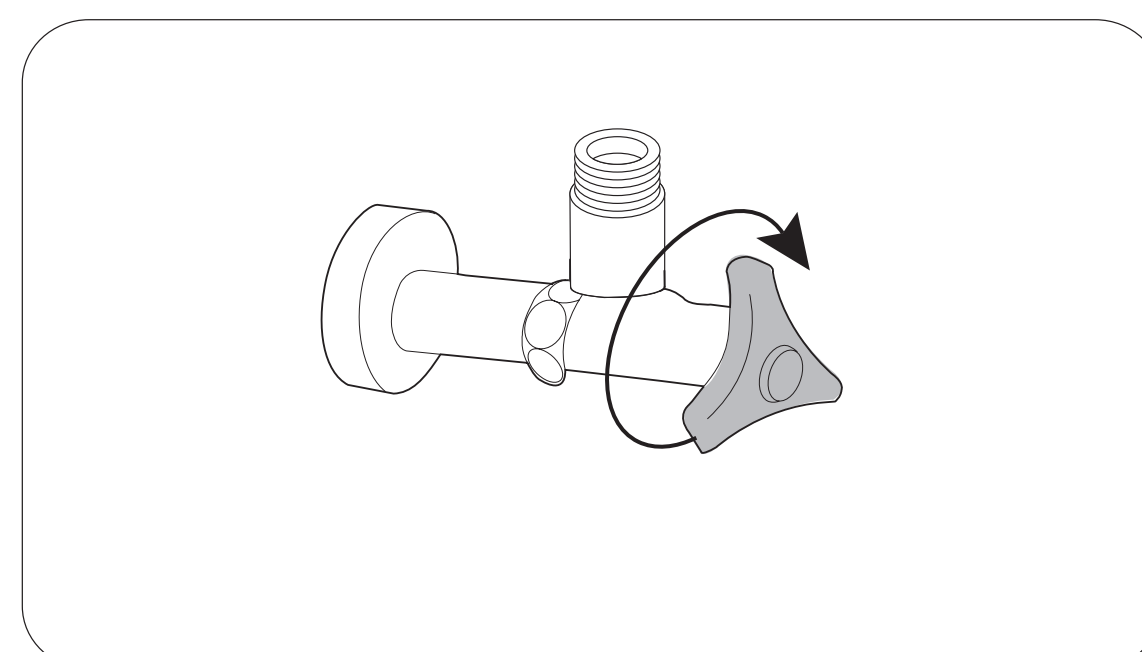


3. a. Insert the expansion bolt into the ceramic hole.
b. Position the fixing plate in the notch part of the template.
c. Place the adjusting sheet and plate on the fixing plate.
d. Align the expansion bolt hole and tighten it securely.

4. Gently press the cover into the fixing plate until you hear a "click," signaling that the cover has been securely installed in place.

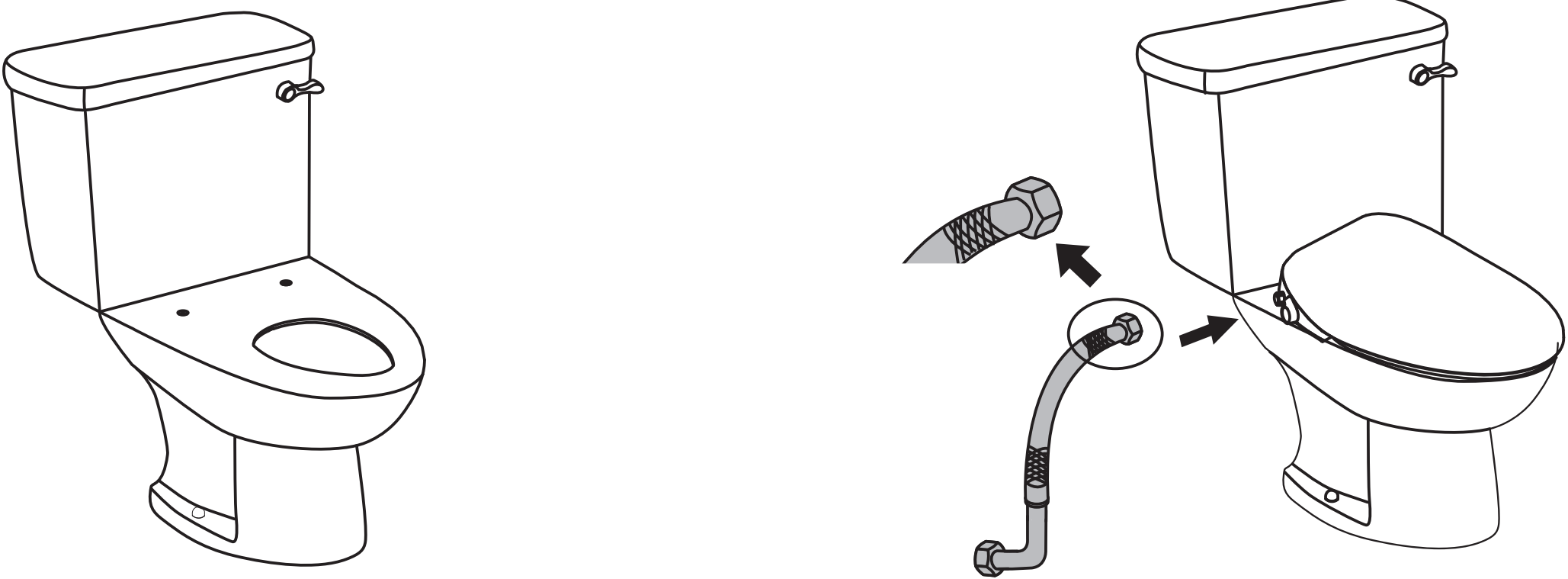


5. Close the water valve.

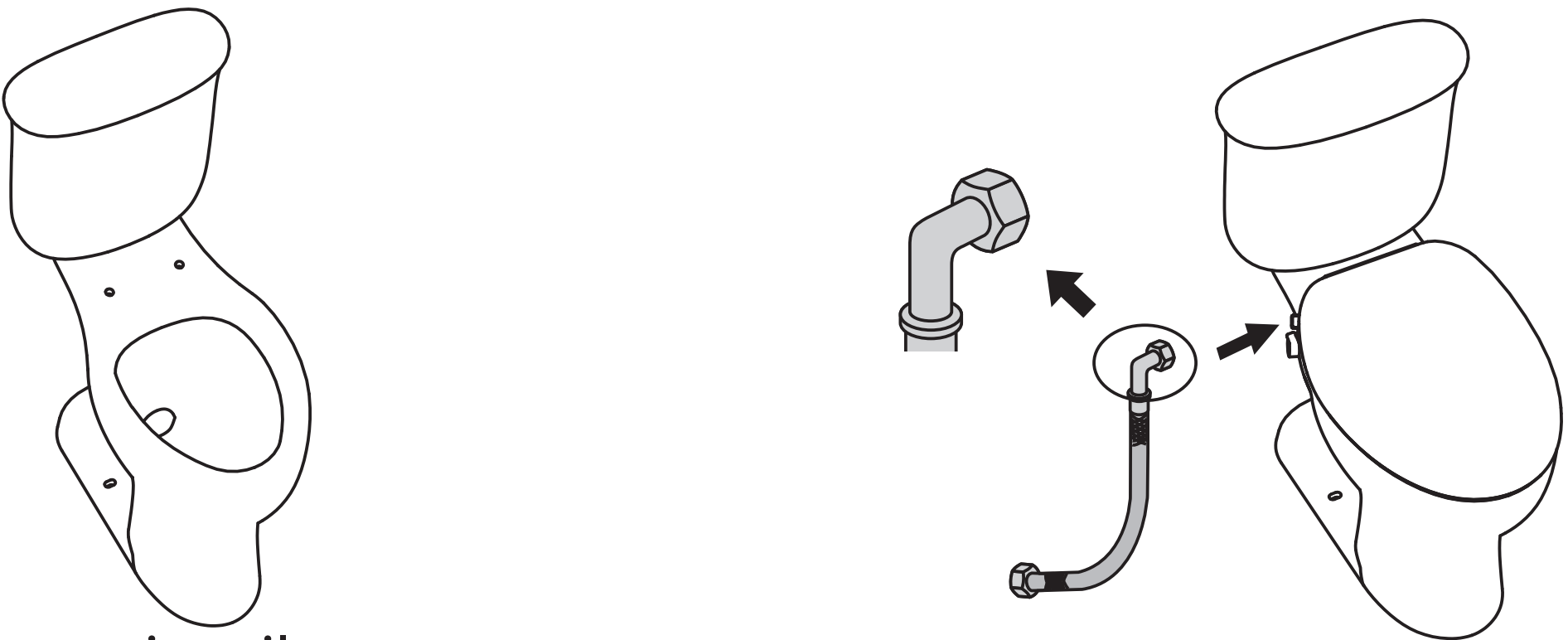


NOTE: Drawings may not exactly define contour of the product.

6. Install the braided hose.

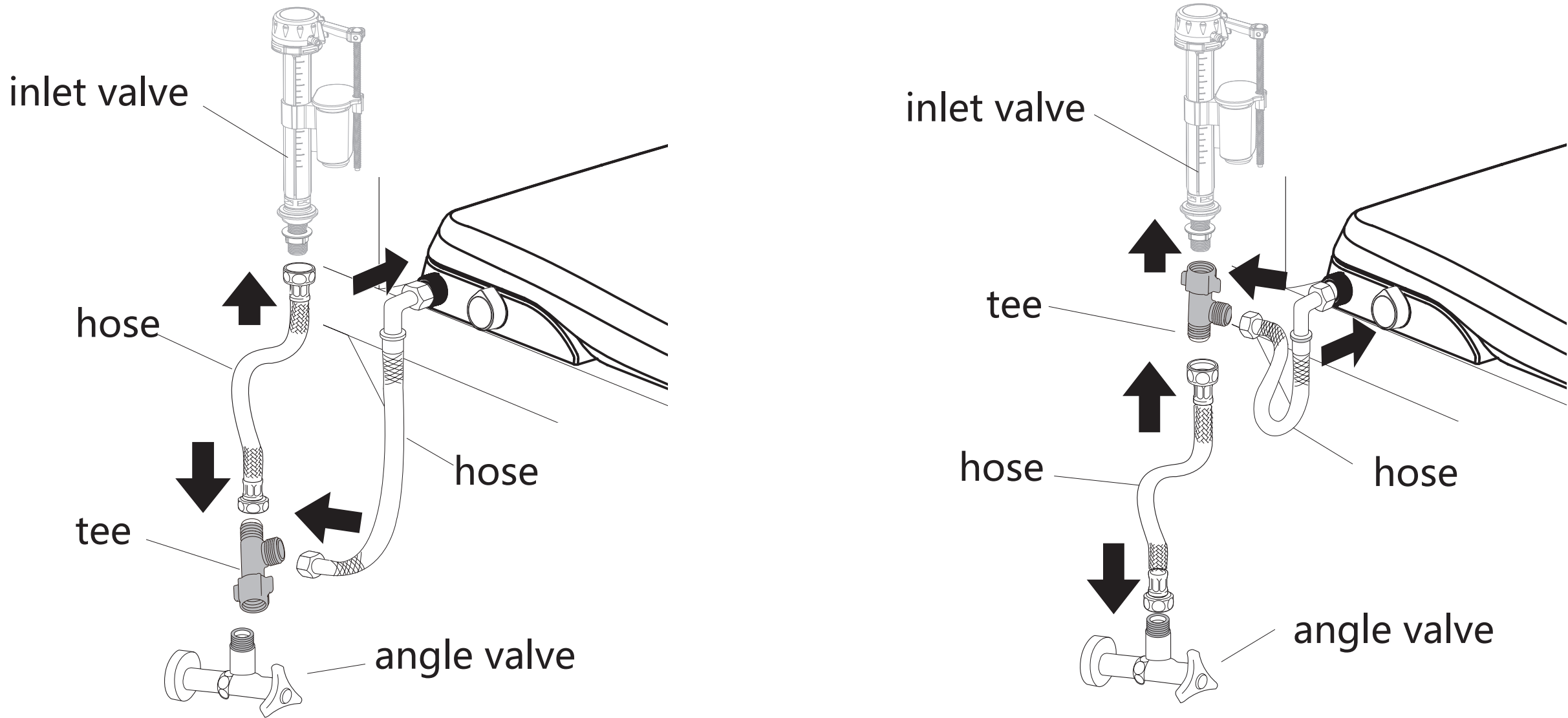


For a European ceramic toilet:
a. When the ceramic resembles the figure above, it is recommended to connect the straight end of the hose to the cover.



For an American ceramic toilet:
b. When the ceramic is similar to the figure above, it is suggested to connect the elbow end of the hose to the cover.

7. Connecting the flexible hose.

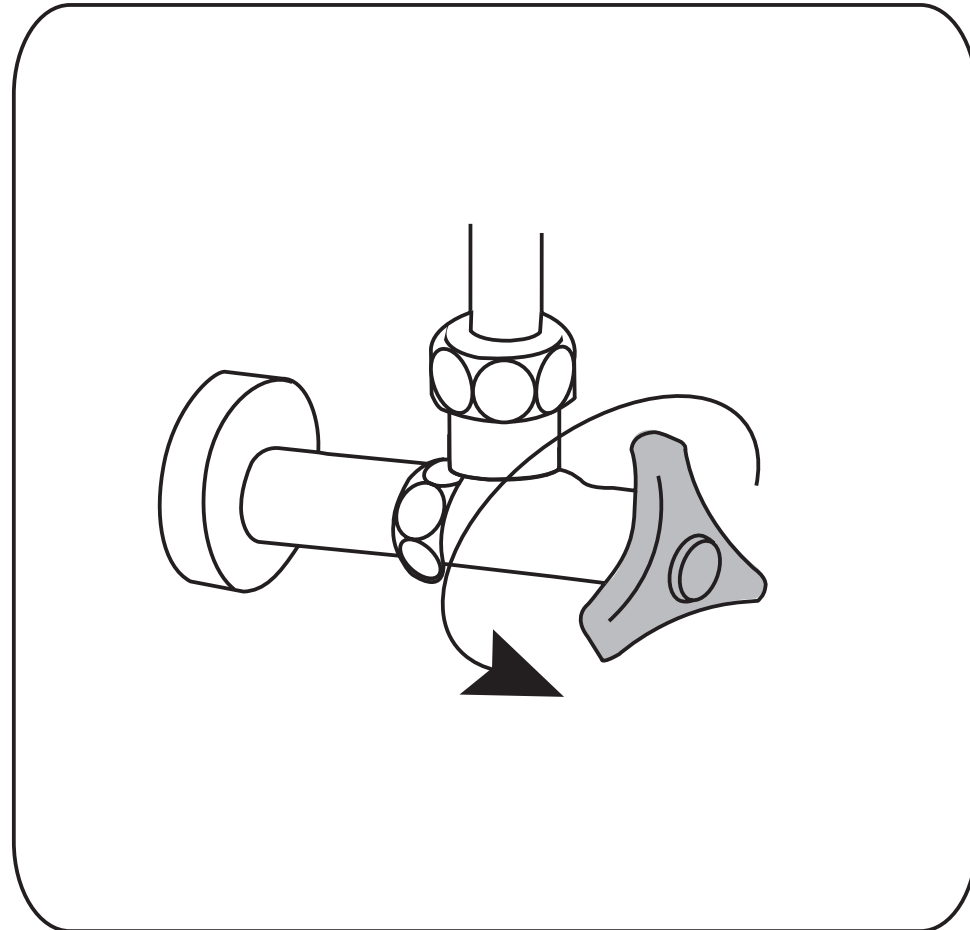


Typically, the tee is installed on the angle valve.

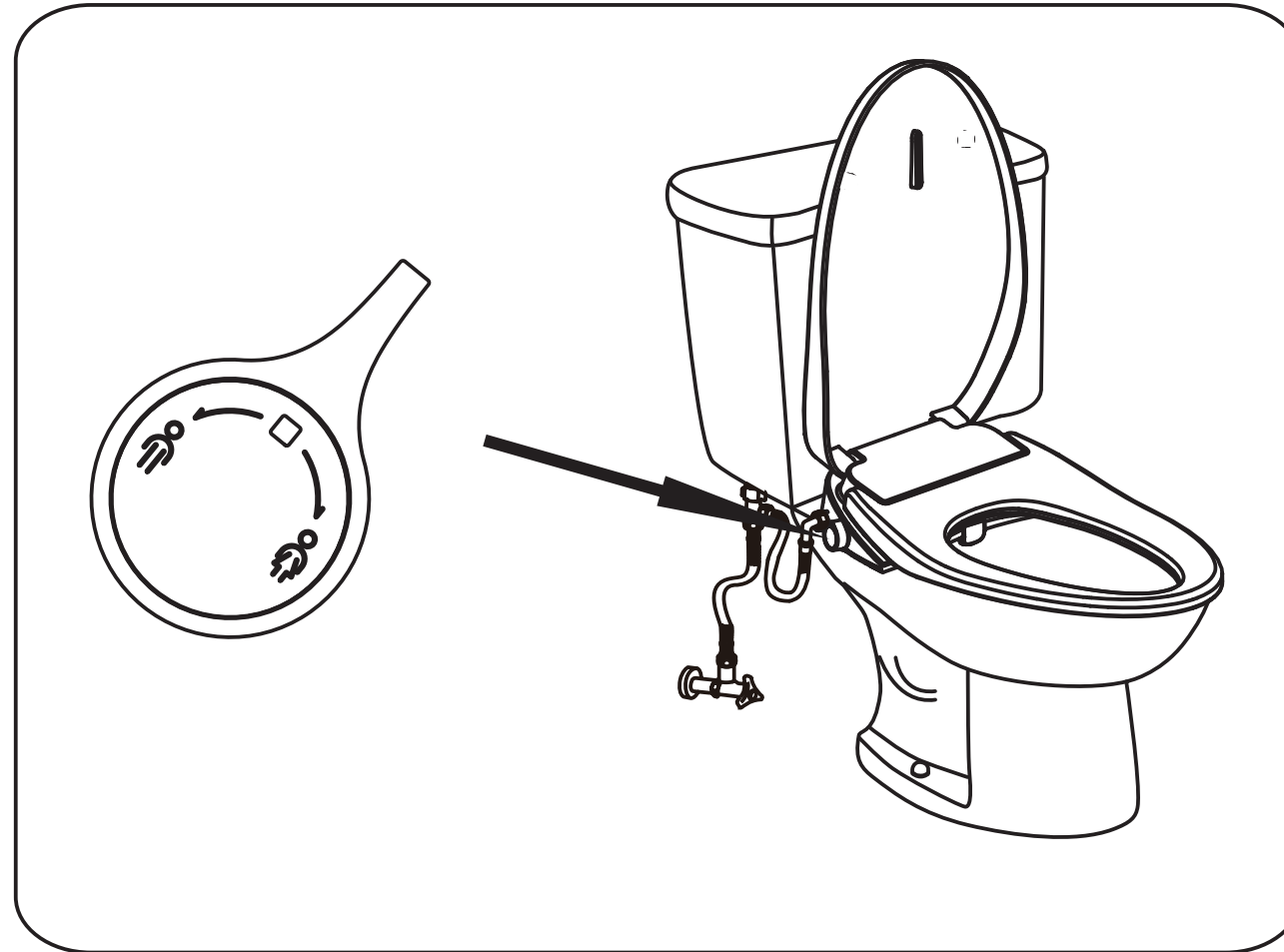
If the angle valve and wall is too close, you can install the tee under the inlet valve.

NOTE: Drawings may not exactly define contour of the product.

8. Open the valve to inspect for water leakage.



9. Turn on the knob to verify whether the nozzle is protruding.



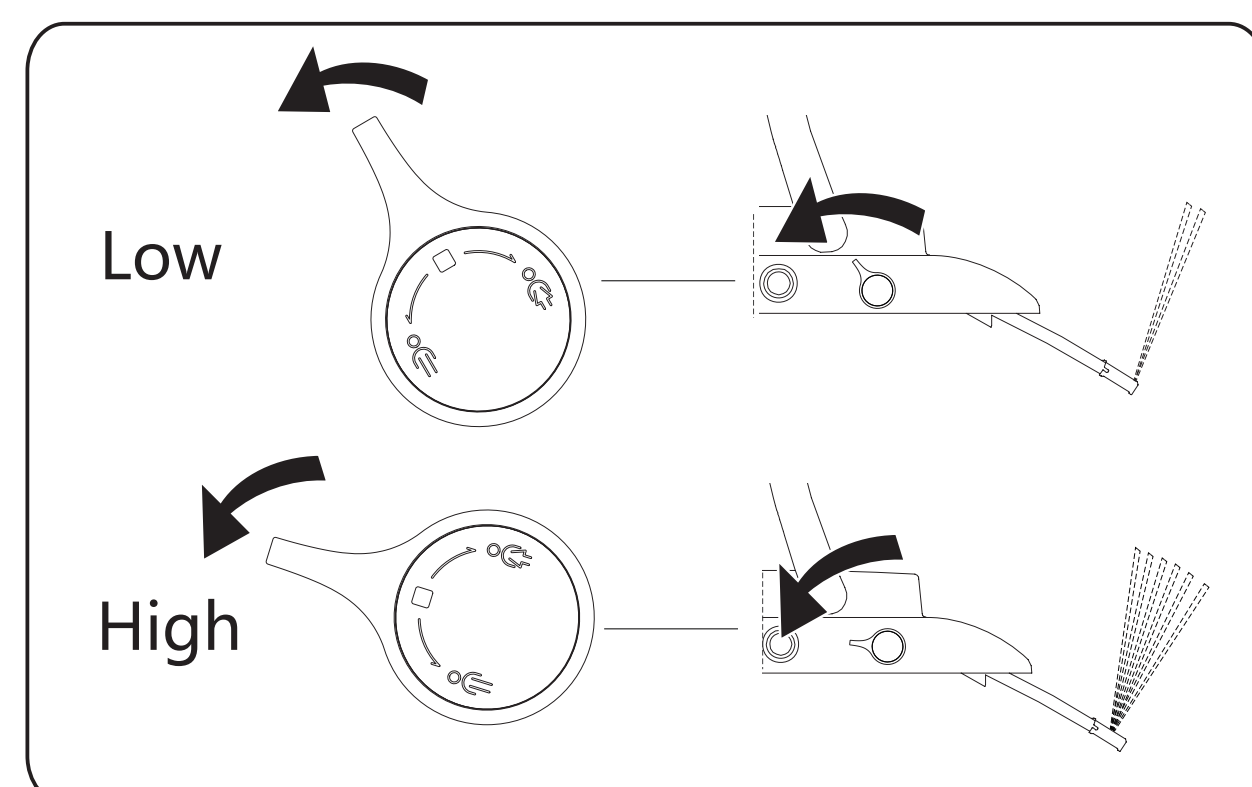
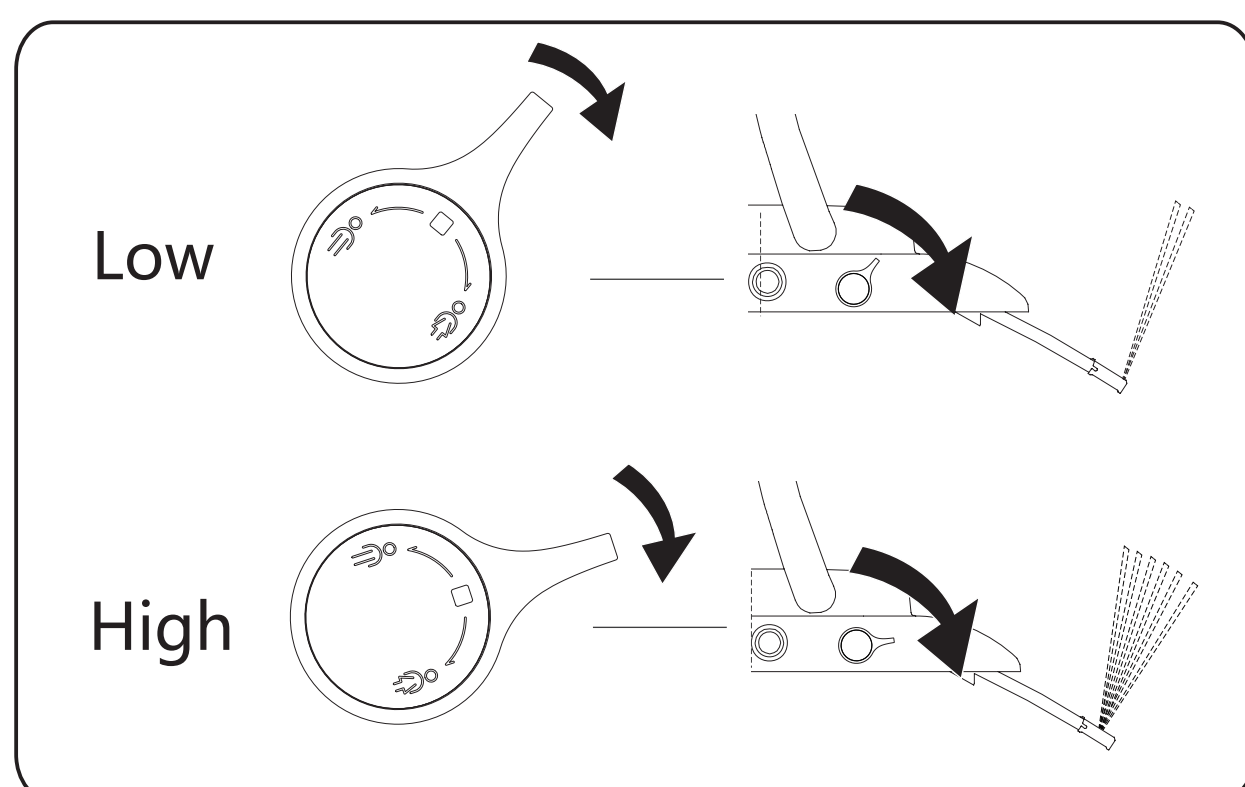
Prohibition

1. Moving the product from the toilet cover is strictly prohibited, as it may lead to mechanical failure.
2. Connecting hot water above 40°C (104°F) and cold water that may cause freezing is strictly prohibited.

Function introduction

• Konb functin

1. Rinse function



Bidet / Hip Rinsing

Rotate the knob to adjust the water flow.

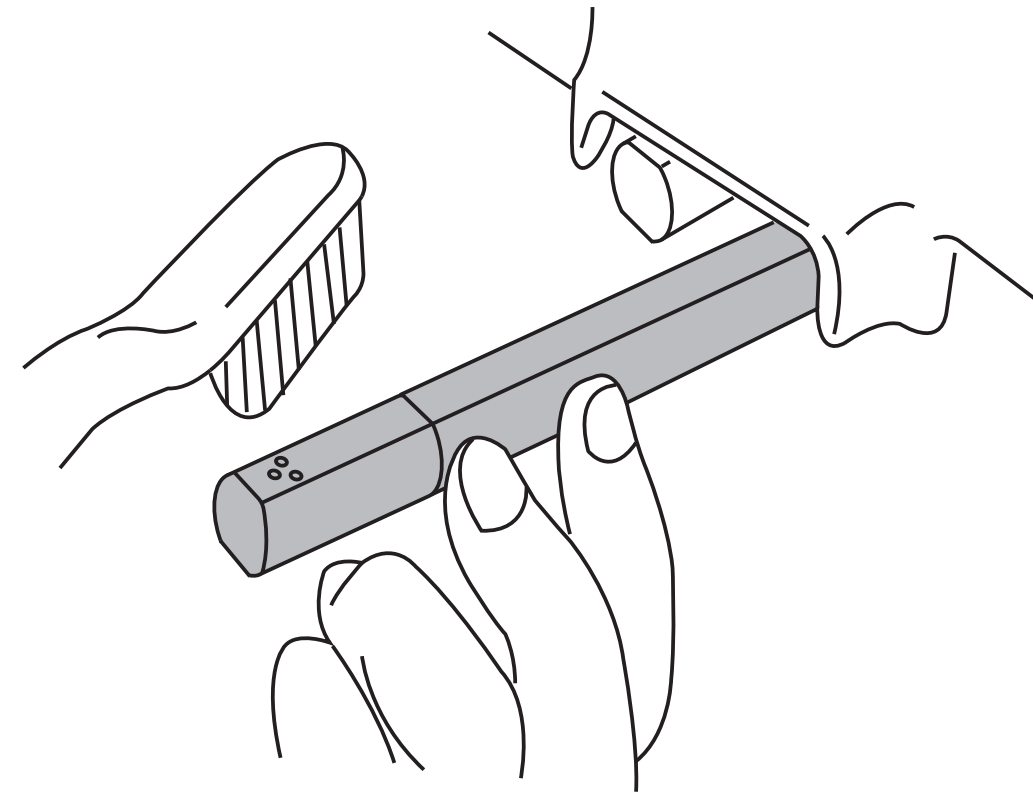
Note: Please open the knob to the maximum before use, and then fine-tune the water flow and rinsing force using the knob.

NOTE: Drawings may not exactly define contour of the product.

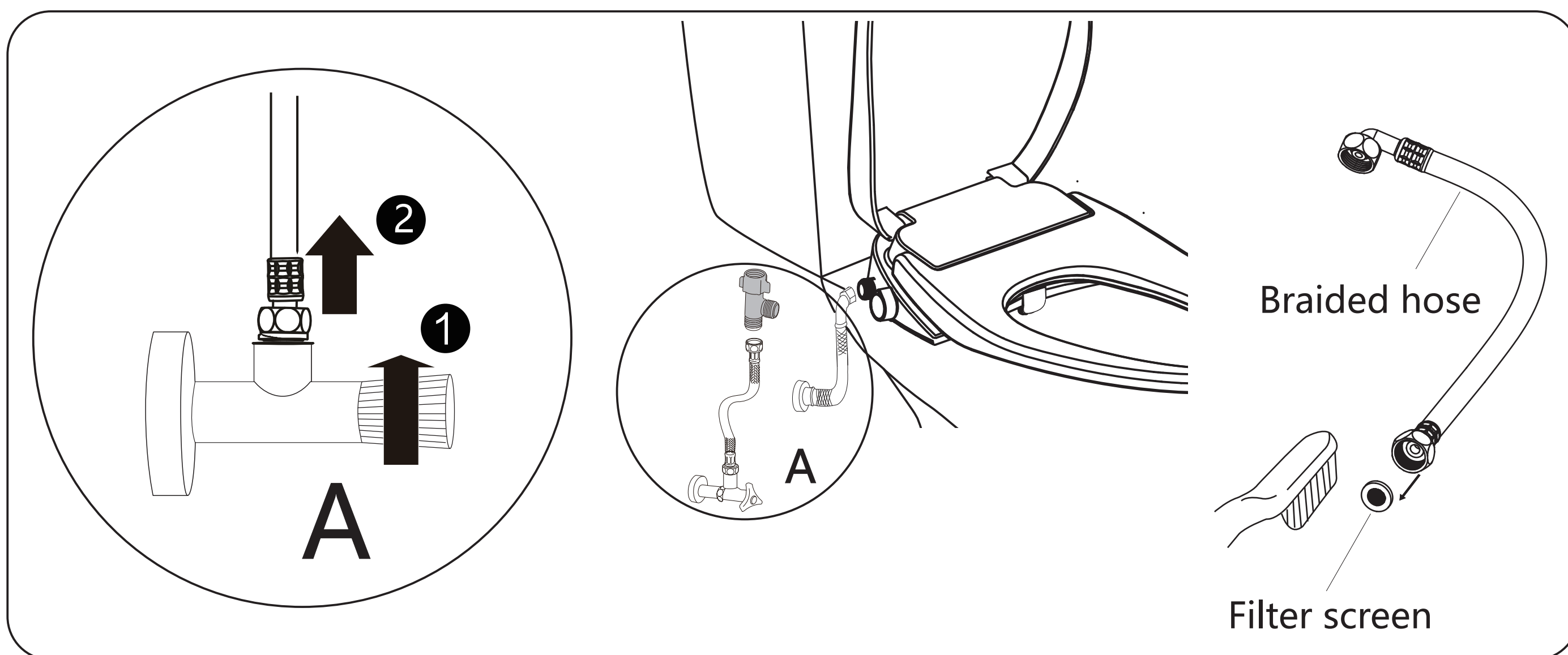
Cleaning and maintenance

• Manual cleaning of spray tube

- Gently pull out the nozzle. Dip a soft cloth, sponge, or small brush in neutral detergent.
- With gentle support on the nozzle, wipe the spray tube and nozzle thoroughly.



• Clean filter screen



i Tips:

- Ensure that the corner valve is closed off before cleaning the filter screen.
- Clean the filter screen when the water flow is below normal levels.
- During the cleaning process, disconnect the product completely from the water inlet hose.
- Reinstall the filter screen in reverse order after cleaning.

• Product surface cleaning

- Wipe the product surface with a sponge or soft cloth dampened with room temperature water or a neutral detergent.
- When cleaning other parts with cleaning agents, lift the upper cover and the seat ring.
- Do not replace the cover until the cleaning agent in the ceramic toilet is completely rinsed, as the surface may corrode due to the evaporation of the cleaning agent.

NOTE: Drawings may not exactly define contour of the product.

Product technical specification

Items		Description
Water supply pressure		0.07-0.75MPa
Water supply temperature		Water at room temperature
Ambient temperature		0-40°C (32-104°F)
Net weight		Approx. 2.2kg (4.85lbs)
Cleaning device	Water amount regulation	Stepless regulation
	Protective device	Anti-siphon valve + anti-backflow valve
Others	Antibacterial material	Nozzle
	Control operation	Knob

Faults and solutions

Phenomenon	Possible cause	Solution
Low flushing	Knob is not completely turned on.	Adjust the knob to increase water flow.
	Water pressure too low	Contact relevant departments to solve water pressure problems
Turn the knob on, but no water comes out.	Vavle off	Open the vavle
	The filter of the water inlet pipe is blocked	Clean the filter of the water inlet pipe
	Nozzle clogging	Remove the nozzle and clean
Spray rod cannot reset	Poor water quality is causing a blockage in the spray rod.	Clean the spray rod.
Base leaking	Water pressure too high	Contact relevant departments to solve water pressure problems

NOTE: Drawings may not exactly define contour of the product.

LIMITED WARRANTY COVERAGE

1 YEAR LIMITED WARRANTY

DeerValley products are made with quality materials and excellent craftsmanship to provide the customers a long-lasting product. In the case of any defects in materials or craftsmanship under regular use were inspected in the first one year of delivery, DeerValley will provide replacement parts at no charge, or at its option, replace any product or part of the product that is deemed defective, under normal installation, use, service and maintenance. This warranty applies only to the original purchaser. Proof of purchase will be required in the case of a claim. **SCRATCHES ARE NOT COVERED UNDER WARRANTY.**

The manufacturer warrants this product to be free of manufacture defects during the above mentioned warranty time. Please keep a copy of the original invoice as proof of purchase.

DeerValley will, as its option, (1) repair or replace the defective part(s) or product(s) at no charge; (2) issue a refund of the original purchase price of the product(s) (Valid within 30 days from the date of delivery); or (3) issue a credit to be applied toward the purchase of a new DeerValley product shipping/delivery charges may apply and are in DeerValley sole discretion.

DeerValley recommends the installations to be made by a licensed, professional plumber. DeerValley will not be held responsible for any damage or product failure due to improper installation, misuse, or failure to use a licensed professional. DeerValley is not responsible for any removal or installation cost.

This limited warranty shall not apply to goods which have been subject to accident, negligence, improper installation, product abuse, product misuse, or use of cleaners containing abrasives, alcohol or other organic solvents, whether performed by a contractor, service company, or yourself, are excluded from this warranty.

DeerValley responsibility under this limited warranty is limited to only to replacement parts and no other costs. DeerValley will not be responsible for labor charges and/or damage incurred by installation, repair or replacement, nor for any indirect incidental or consequential damages, losses, injury or costs of any nature relating to this product Except as provided by law, this limited warranty is in lieu of and excludes all other warranties, conditions, and guarantees, whether expressed or implied, statutory or otherwise, including without restriction those merchantability of fitness for use.

RESPONSIBILITIES OF OTHERS

Inspecting the unit prior to installation is the responsibility of the installer or building contractor who acts on behalf of the user. They are responsible for ensuring the unit is free of defect or damage.

Notices are placed on and in the unit and on the shipping carton advising the installer of this responsibility.

In the event of a problem, the unit must not be installed. DeerValley is not responsible for failures or damage that could have been discovered, repaired, or avoided by proper inspection and testing prior to installation.

Damage occurring in transit is the responsibility of the carrier. The user or installer **MUST** open the crate and inspect the unit for damage when it is delivered. If damage is discovered, it must be reported immediately to the seller and the carrier in writing, and an inspection requested. Failure of the carrier to respond should be reported to the seller and the carrier. Your freight claims should be filed promptly thereafter.

LIMITATIONS AND EXCLUSIONS

This warranty does not cover instances of negligence, misuse, abuse, improper installation, carelessness, accident, hard water or mineral deposits, exposure to corrosive materials, misapplication, damages caused by improper maintenance, alteration of the product, or failure to follow care or installation instructions enclosed with your product. The warranty becomes invalid if the DeerValley product undergoes any alterations or if attempts are made to carry out repairs using unauthorized accessories or parts from DeerValley.

DeerValley will not be liable for loss of use of the DeerValley products, inconvenience, or any other incidental or consequential costs, expense or damages. Please note that some states do not allow the exclusion or limitation of incidental damages.

DISCLAIMER

Except as expressly provided, there shall be no warranty or obligation, express or implied, oral or statutory. No dealer or other person has the authority to make any warranties or representations concerning DeerValley or its products. In no event shall DeerValley be held responsible for any such warranties or representations.

WARRANTY SERVICE

NOTE: When requesting warranty, be sure to have the following:

- Copy of original invoice
- Date of installation
- Description and pictures of defect
- Model number or description of model

To obtain warranty service and replacement part, please contact DeerValley Customer Service. DeerValley will determine whether to repair or replace your product, issue a refund, or issue a credit.