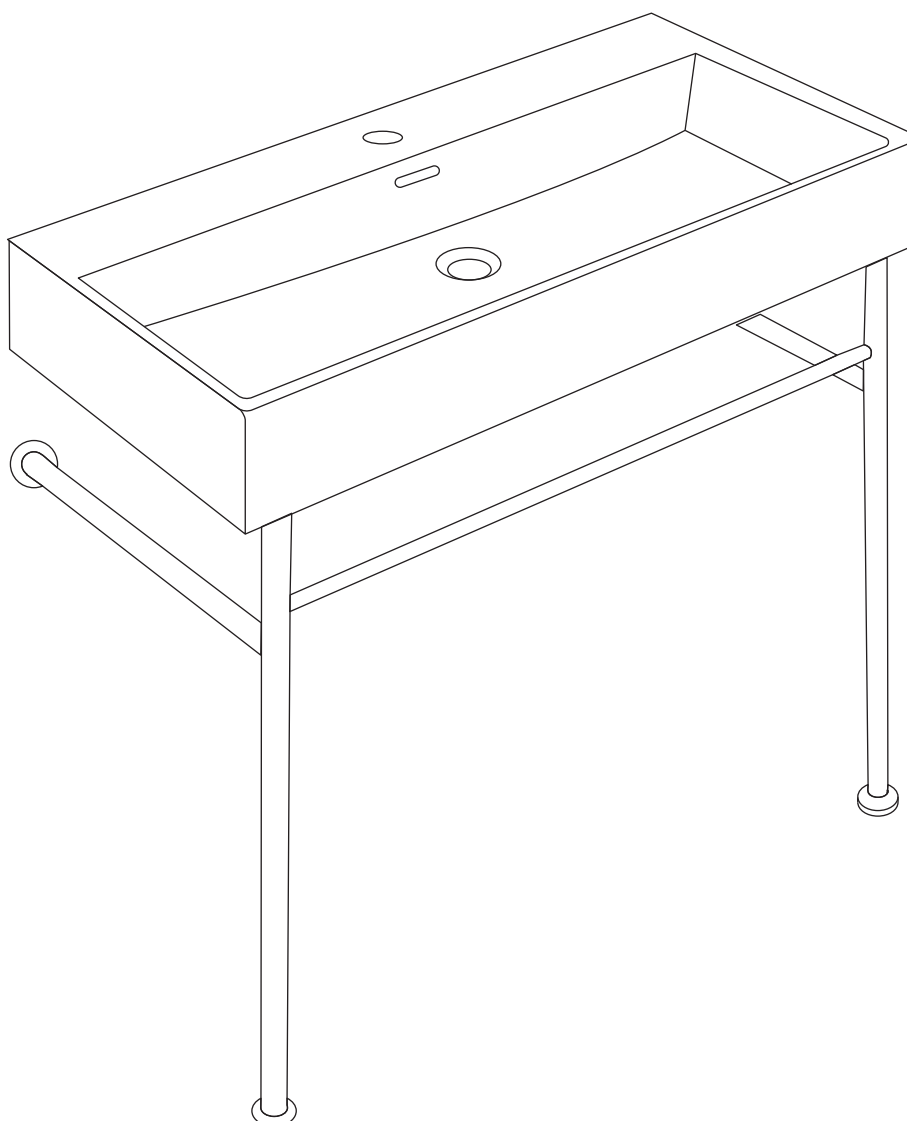


# INSTALLATION INSTRUCTIONS

DeerValley®

## Console Sink





## Prior to Installation:

- Before installation, please make sure that the water source is closed and the water supply pipeline is reserved.
- Please confirm that the installation wall is a load-bearing wall. After completing the installation of heavy objects above 150 kgf, the wall can withstand this tensile force, and make sure that the wall is flat after installation.
- Please make sure that a qualified professional follows the steps in this manual to install the pedestal.

### General Recommendations:

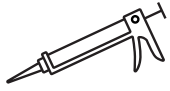
Please read installation and maintenance instructions thoroughly before installing the pedestal bathroom sink. Be sure to use proper tools and always wear proper personal safety accessories for your protection.

**If you have any questions or concerns  
please contact us:**

(+1) 312-626-9466  
service@deervalleybath.com

## INSTRUCTIONS

### (1) SUGGESTED TOOLS AND MATERIALS



Silicone



Safety Glasses



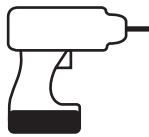
Pencil



Tape Measure



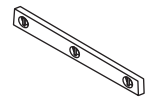
Screwdriver Philips



Drill



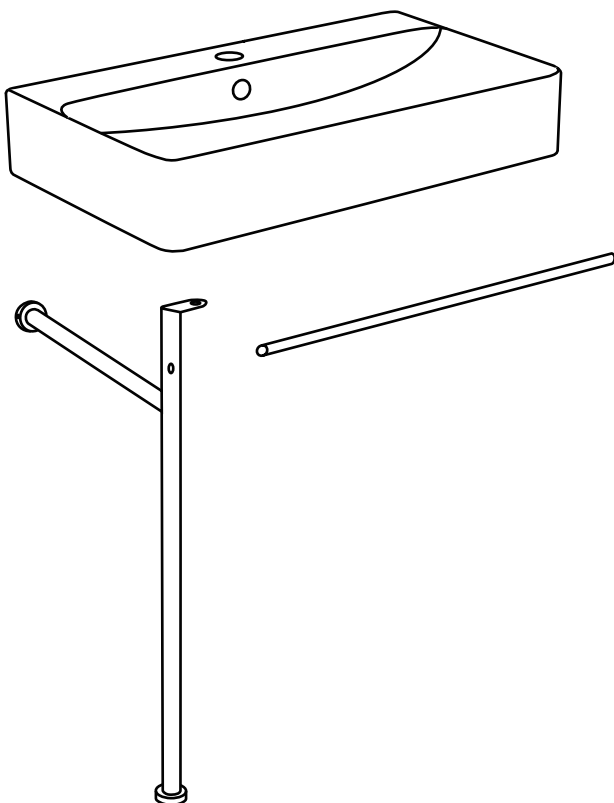
Adjustable Wrench



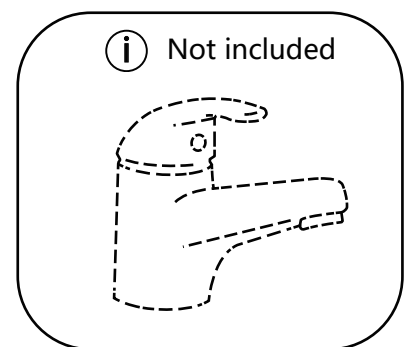
Level

- Installation tools are not provided, please prepare by yourself.

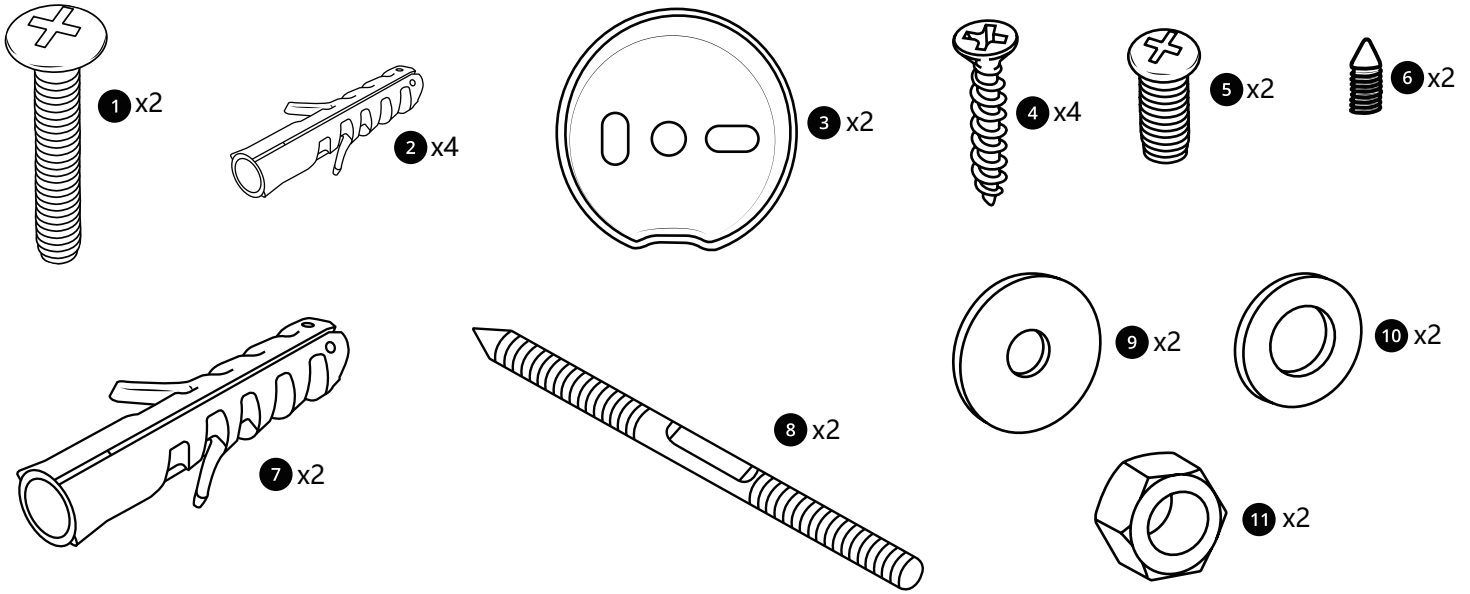
### (2) Console Sink&Legs




ⓘ Style may vary



## Parts Included:



## (3) USE AND MAINTENANCE

<p><b>Cleaning</b></p>	<p>Neutral cleaner should be used to clean the product. It will damage the surface of the product if use a strong or corrosive cleaner.</p> 	<p><b>Use</b></p>	<p>Do not use nylon brush or cloth to clean products, so as not to abrade the surface of the product. Please clean the washbasin with a soft cloth, after each use.</p>
<p><b>Warning</b></p>	<p>In the case of low ambient temperature, if pour high-temperature hot water directly into the basin for use, the basin may crack. Avoid hard objects directly hitting the surface of the product to prevent product damage.</p>		

## (4) INSTALLATION STEPS

NOTE: These fixings are suitable for solid walls only. Plasterboard or stud walls may require specialist fixings (not supplied).

CAUTION: Take care when drilling walls and floors to avoid any concealed wires or pipes.

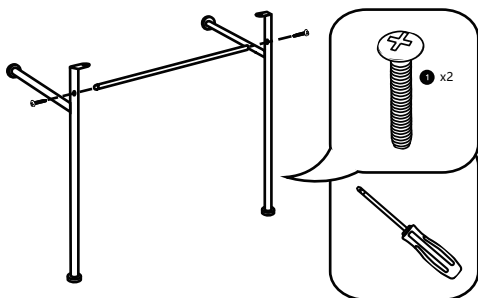
### Before Installation :

1. Prior the installation, unpack your product and inspect it keep the product in its original package until you are ready to install it;
2. Shut the water supply off when replacing an existing fixture. Preparation of the floors and walls, including all additional wall supports, may be required;
3. Observe all local plumbing and building codes;
4. Do not install this fixture alone.

### (1) Assemble Console

Using the provided hardware assemble the console as illustrated.

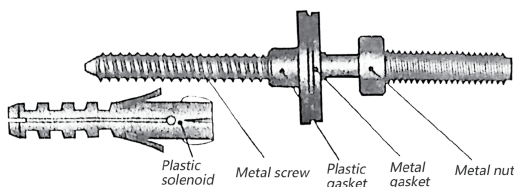
NOTE: Height of console is NOT adjustable.

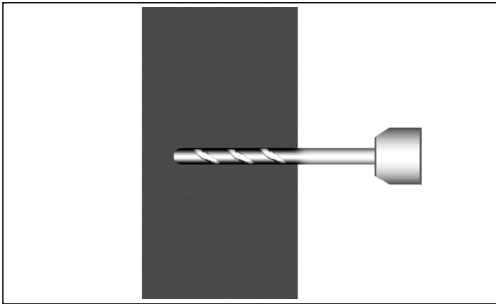


### (2) Install Sink

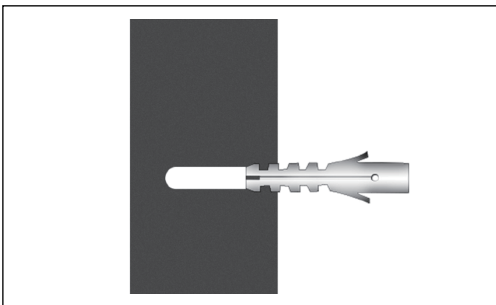
Use your assembled console to mark on the wall where the bottom of the sink should rest. Following the steps illustrated below, install your sink.

NOTE: Make sure your sink is LEVEL before marking and securing into place.

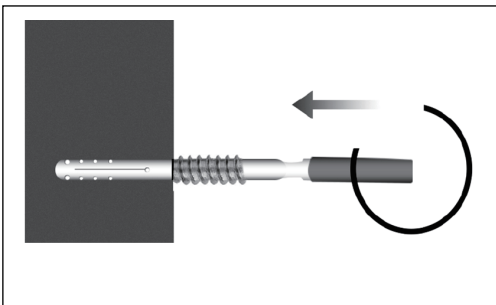




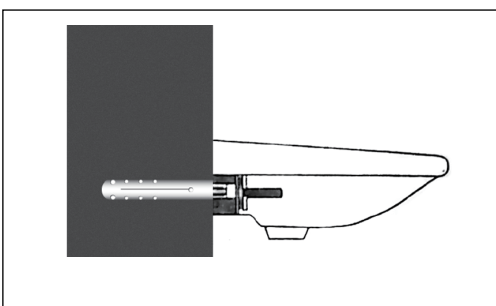
- **STEP 1:**  
Drill two holes in the required position on the wall using a 14mm masonry drill bit, to depth of 75mm.



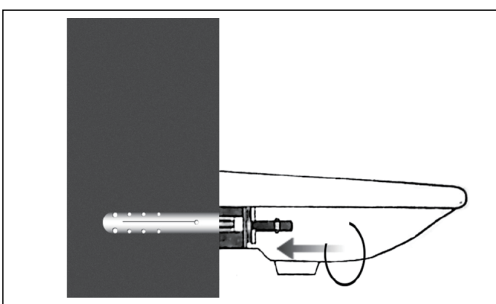
- **STEP 2:**  
Push a wall plug into each hole.



- **STEP 3:**  
Screw a fixing bolt into each fixing plug using an 8mm spanner until the spanner contacts the wall.



- **STEP 4:**  
Place the basin in position against the wall. Locating the fixing bolts through the holes in the rear of the basin. Push a plastic washer followed by a metal washer, onto each fixing bolt.

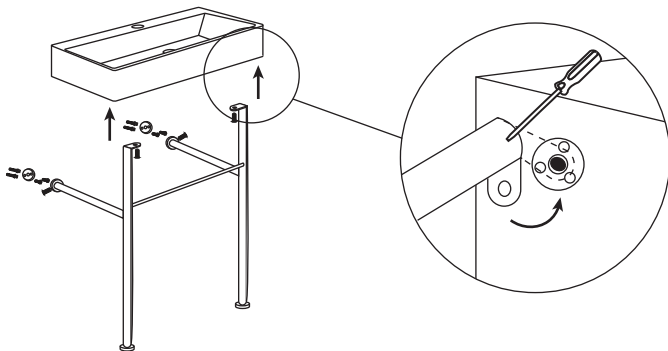


- STEP 5:**  
Screw a metal nut onto each fixing bolt to secure the basin.  
Caution: Do not over-tighten, as this may damage the ceramic.

### (3) Install Console

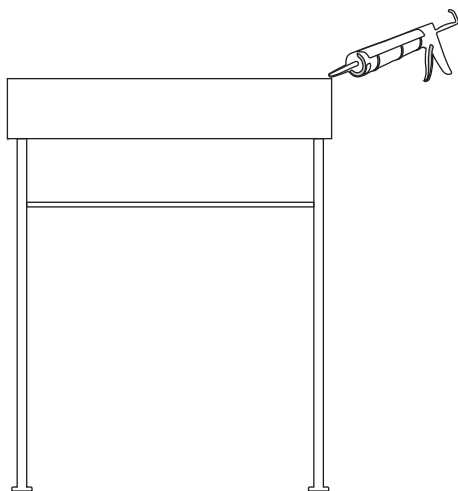
Secure your console underneath the sink and to the wall.

NOTE: Solder lug washer may need to be adjusted to properly align your console legs with the sink.

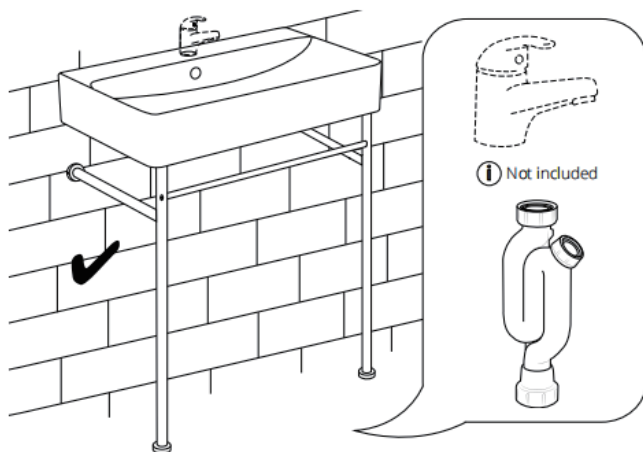


### (4) Seal Sink

Apply a bead of caulk around the back edge of the sink where it meets the wall.



### (5) Install Plumbing Fixtures



## LIMITED WARRANTY COVERAGE

### 1 YEAR LIMITED WARRANTY

DeerValley products are made with quality materials and excellent craftsmanship to provide the customers a long-lasting product. In the case of any defects in materials or craftsmanship under regular use were inspected in the first one year of delivery, DeerValley will provide replacement parts at no charge, or at its option, replace any product or part of the product that is deemed defective, under normal installation, use, service and maintenance. This warranty applies only to the original purchaser. Proof of purchase will be required in the case of a claim. **SCRATCHES ARE NOT COVERED UNDER WARRANTY.**

The manufacturer warrants this product to be free of manufacture defects during the above mentioned warranty time. Please keep a copy of the original invoice as proof of purchase.

DeerValley will, as its option, (1) repair or replace the defective part(s) or product(s) at no charge; (2) issue a refund of the original purchase price of the product(s) (Valid within 30 days from the date of delivery); or (3) issue a credit to be applied toward the purchase of a new DeerValley product shipping/delivery charges may apply and are in DeerValley sole discretion.

DeerValley recommends the installations to be made by a licensed, professional plumber. DeerValley will not be held responsible for any damage or product failure due to improper installation, misuse, or failure to use a licensed professional. DeerValley is not responsible for any removal or installation cost.

This limited warranty shall not apply to goods which have been subject to accident, negligence, improper installation, product abuse, product misuse, or use of cleaners containing abrasives, alcohol or other organic solvents, whether performed by a contractor, service company, or yourself, are excluded from this warranty.

DeerValley responsibility under this limited warranty is limited to only to replacement parts and no other costs. DeerValley will not be responsible for labor charges and/or damage incurred by installation, repair or replacement, nor for any indirect incidental or consequential damages, losses, injury or costs of any nature relating to this product Except as provided by law, this limited warranty is in lieu of and excludes all other warranties, conditions, and guarantees, whether expressed or implied, statutory or otherwise, including without restriction those merchantability of fitness for use.

### RESPONSIBILITIES OF OTHERS

Inspecting the unit prior to installation is the responsibility of the installer or building contractor who acts on behalf of the user. They are responsible for ensuring the unit is free of defect or damage.

Notices are placed on and in the unit and on the shipping carton advising the installer of this responsibility.

In the event of a problem, the unit must not be installed. DeerValley is not responsible for failures or damage that could have been discovered, repaired, or avoided by proper inspection and testing prior to installation.

Damage occurring in transit is the responsibility of the carrier. The user or installer MUST open the crate and inspect the unit for damage when it is delivered. If damage is discovered, it must be reported immediately to the seller and the carrier in writing, and an inspection requested. Failure of the carrier to respond should be reported to the seller and the carrier. Your freight claims should be filed promptly thereafter.

### LIMITATIONS AND EXCLUSIONS

This warranty does not cover instances of negligence, misuse, abuse, improper installation, carelessness, accident, hard water or mineral deposits, exposure to corrosive materials, misapplication, damages caused by improper maintenance, alteration of the product, or failure to follow care or installation instructions enclosed with your product. This warranty is void if the DeerValley is subject to alteration, or if repairs are attempted by anyone other than an authorized agent of DeerValley. This warranty does not extend to plumbing or components installed by dealers, installers or by any party other DeerValley.

DeerValley will not be liable for loss of use of the DeerValley inconvenience, or any other incidental or consequential costs, expense or damages. Please note that some states do not allow the exclusion or limitation of incidental damages.

### DISCLAIMER

Except as expressly provided, there shall be no warranty or obligation, express or implied, oral or statutory. No dealer or other person has the authority to make any warranties or representations concerning DeerValley or its products. In no event shall DeerValley be held responsible for any such warranties or representations.

### WARRANTY SERVICE

NOTE: When requesting warranty, be sure to have the following:

- Copy of original invoice
- Date of installation
- Description and pictures of defect
- Model number or description of model

To obtain warranty service and replacement part, please contact DeerValley Customer Service. DeerValley will determine whether to repair or replace your product, issue a refund, or issue a credit.