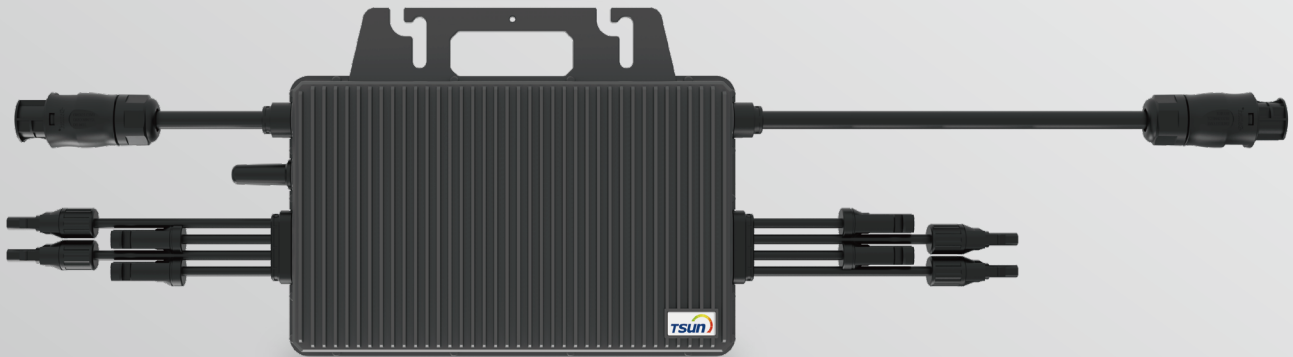
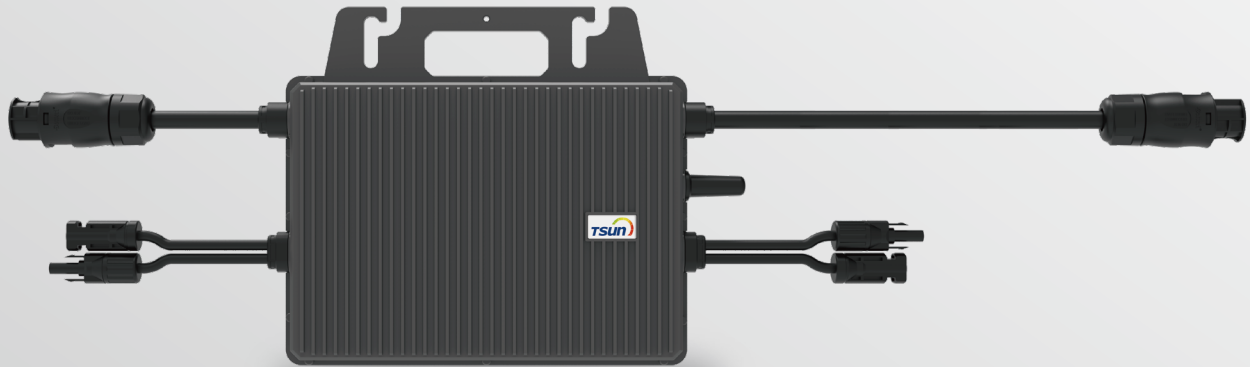


# TSUN Micro Inverter



## TSOL-M800/M1600



### Maximized Efficiency

- Individual optimization, separate dedicated MPPT for each panel.
- New topology design, max. efficiency up to 96.7%.

### Flexibility

- Plug & play installation. Easy to install.
- Multi-channel MPPT for complex installation environments with higher cost performance

### Safety

- Max. DC voltage 60V. No threat for high DC voltage.
- Integrated LoM protection function. Ensure the safety of power grid.

### Reliability

- Die casting design and glue filling technology. Better thermal dissipation.
- Standard 12 years warranty, Quality guaranteed.

CE VDE 0126 VDE 4105 EN 50549 AS4777 CEI 0-21 INMETRO RD 1699 G 98



### TSUNESS Co., Ltd

E-mail: sales@tsun-ess.com

Web: www.tsun-ess.com

Tel: +86-512-6618 6028

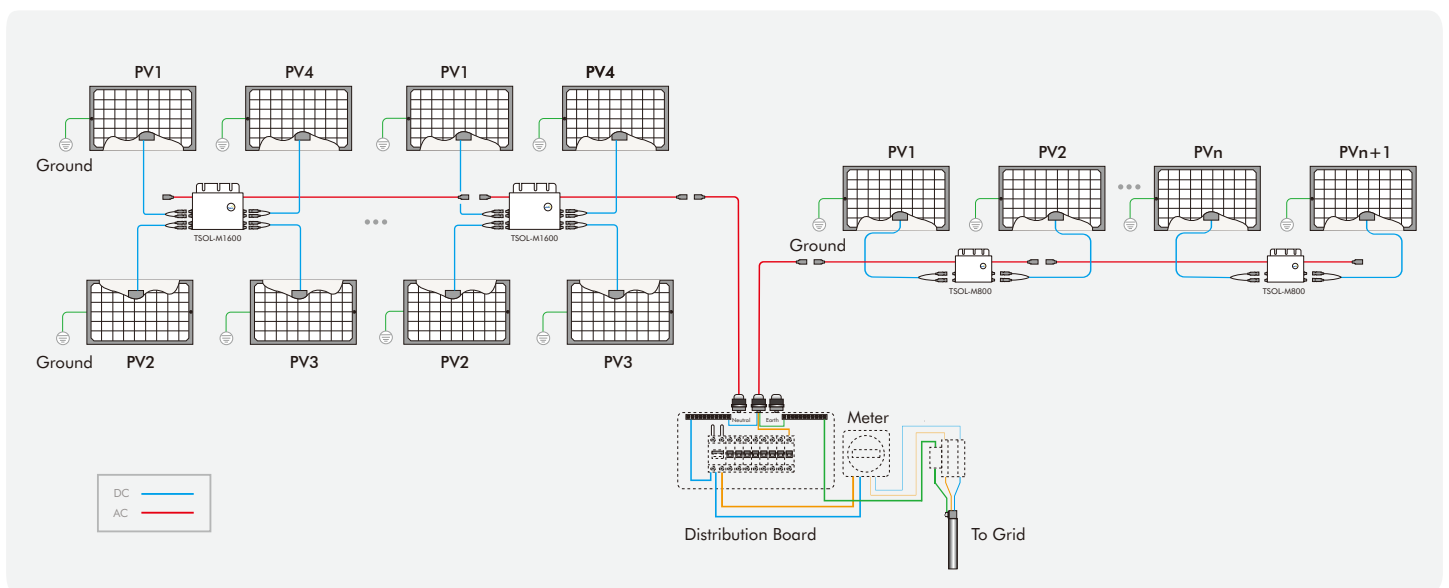
Add: BuildingD2, No. 555, Chuangye Road, Jiashan, Zhejiang Province, China

# Technical Data

Model	TSOL-M800	TSOL-M1600
<b>Input(DC)</b>		
Recommended Input Power [W]	2*280-440	4*300-470
MPPT Voltage Range [V]	33-48	36-48
Operating Voltage Range [V]		16-60
Max. Input Voltage [V]		60
Max. Input Current [A]		11.5
Max. Input Short Circuit Current[A]		15
<b>Output [AC]</b>		
Max. Continuous Output Power [W]	700	1500
Nominal Output Current [A]	3.04	6.52
Max. Output Current [A]	3.19	6.82
Nominal Output Voltage [V] *		220/230/240, L/N/PE
Nominal Frequency [Hz] *		50/60
Power Factor		>0.99
Output Current Harmonic Distortion		<3%
Max. Units Per Branch	7	3
<b>Efficiency</b>		
Peak Conversion Efficiency		96.6%
CEC Weighted Efficiency		96.5%
Nominal MPPT Efficiency		99.9%
EU Efficiency		96.3%
Night Time Power Consumption [mW]		<50
<b>Mechanical Data</b>		
Dimensions (WxHxD) [mm]	250×170×28	280x176x33
Weight [kg]	3	3.75
Type of Enclosure		IP67
Cooling		Natural Convection
<b>Environmental Data</b>		
Operating Ambient Temperature Range [°C]		-40°C to 65°C
Operating Internal Temperature Range [°C]		-40°C to 85°C
Relative Humidity		0-100 % condensing
Max. Operating Altitude Without Derating [M]		2000
Monitor		2.4G RF

※ The AC voltage and frequency range may vary depending on specific country grid.

## Diagram



For more information, visit/contact us at [www.tsun-ess.com](http://www.tsun-ess.com)

©2019 TSUNESS. All rights reserved. All specifications are subject to change without prior notice.