

85 Primrose

FMM61

As seen in *The Farmer's Wife 1930s Sampler Quilt* book by Laurie Aaron Hird

From MARTI MICHELL Perfect Patchwork Templates Conversion Chart

For personal use in conjunction with the book and these From MARTI MICHELL Tools:

Perfect Patchwork Template Set A #8251, Set N #8956, and Multi-size Half Square Triangle Ruler #8290



Primrose Template	85A	85B	85C	85D
is the same as FMM Template	Substitute a 6½" square	A-5	A-6	N-81

Observe grainline arrows on templates when cutting, except N-81:

Cutting

From background (light) fabric cut:

1 6½" square—This is because as a Grainline Geek, I just couldn't imagine cutting the corners on the bias.

2 A-5 squares

Put dark and light fabrics right sides together and cut 2 pairs of strips (4 layers) 1¼" x 12" on lengthwise grain. Cut 20 pairs of N-81 triangles with legs on straight grain. Do not separate. They are ready to sew on the hypotenuse.

From dark fabric, cut:

8 N-81 triangles

2 A-6 triangles

Making the Block

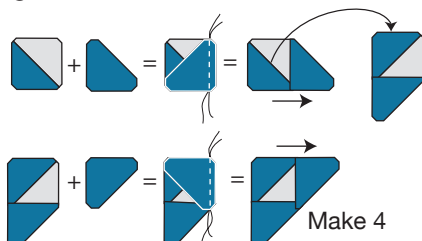
- Join 20 pairs of N-81 triangles on the hypotenuse and press toward the dark fabric.
- Join 16 of the pieced N-81 units from step 1 into pairs and press seam allowances open.



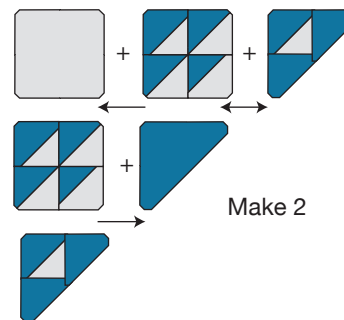
- Join pairs of units from step 2 to make 4 sets of 4 units. Press seam allowances open. Confirm that they are the size of square template A-5.



- Remember the Birds in the Air units made in Cat (FMM Chart 22). Make 4, combining the remaining pieced N-81 units from step 1 and N-81 triangles. Confirm that all units are the same size as triangle A-6.



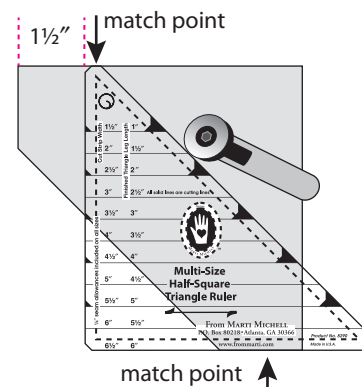
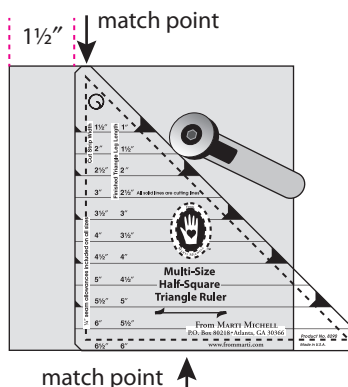
- Join units as shown to make 3 rows. Press as indicated by arrows. Join the rows to make 2 large pieced triangles. Press seams open.



Completing the Block

For ease of cutting, work on a small mat or a rotating mat.

- Use one ruler to measure 1½" from the left edge of the 6½" square.
- With the ruler still in place, align the Multi-size Half Square Triangle Ruler with it, matching the top and bottom of the ruler with the raw edges of the square. Trim off a triangle of fabric, as shown. Discard the cutaway piece. (Show below, left.)
- Rotate the mat and measure 1½" from the left edge of the remainder of the square. Align the Multi-Size Half Square Triangle Ruler as shown and trim the same way you did above. (Shown below, right.)



- Join the pieced triangles to opposite sides of the center strip. Press toward the center strip.

