

# 28 Dolly (And modified version: Aunt Dolly)

As seen in *The Farmer's Wife 1930s Sampler Quilt* book by Laurie Aaron Hird



## From MARTI MICHELL Perfect Patchwork Templates Conversion Chart

For personal use in conjunction with the book and From MARTI MICHELL Tools:  
Perfect Patchwork Template Set B, Product #8252, Set D #8254 and Set N #8956.

Dolly Template	28A	28B	28C	28D	28E
is the same as FMM Sets B and D Template	B-12	B-14	D-29	Full 1 1/8" square	D-29 Cut down or N-81

Observe grainline arrows on templates when cutting except some pieces of N-81:



The block shown on my blog is the Aunt Dolly variation. To make Dolly follow the steps below.

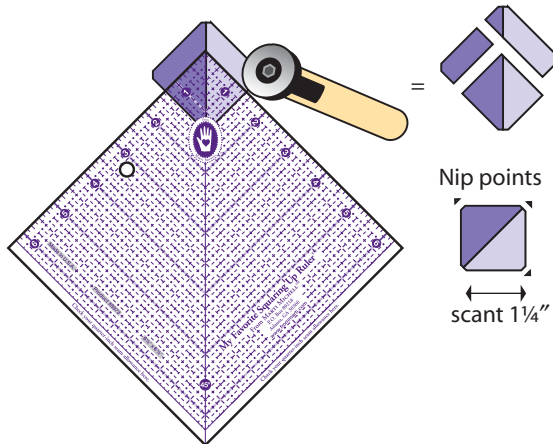
1. The center unit is a Nine Patch made with full 1 1/8" (not quite 1 3/16") squares. It should measure 2 1/2", including seam allowances, when finished.
2. Cut the 28E pieces with N-81. The 8 "purple" 28E triangles that will not be sewn into squares should be cut from 1" strips with the hypotenuse on straight grain.

To cut the remaining 28E pieces, cut scant 1 1/4" strips of fabrics right sides together and cut N-81 triangles with legs on straight grain.

OR, you may prefer to cut oversize D-29 triangles with legs on straight grain. Do not separate the pairs. They are ready for sewing.

3. Join the triangle pairs. Press seams open.
4. If necessary, trim to size using the 6 1/2" Squaring Up Ruler, with the diagonal line aligned on the seam.

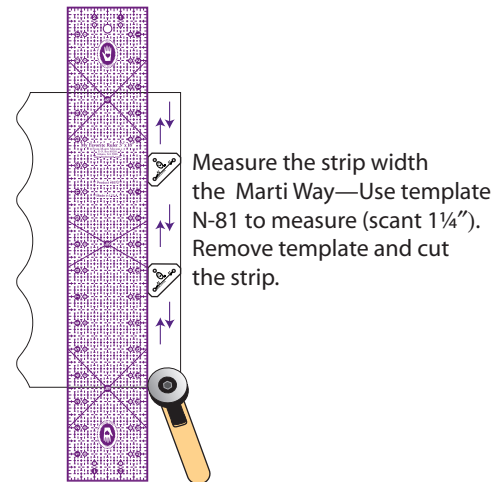
Trim D-29 half-square triangle unit to N-81 size, a scant 1 1/4"



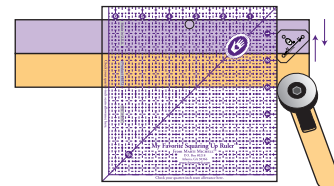
5. Assemble the block as shown in the book.

## Or Make Marti's Aunt Dolly Block, Named After Her Uncle Fred's Wife

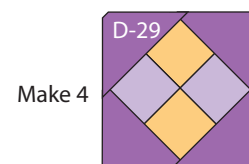
1. If you want to make the Aunt Dolly variation, cut the 4 B-12 corner squares and make the center nine patch as in Dolly, step 1.
2. For the side square units, substitute a four patch set on point in a square, as shown at the bottom of this page. Cut 16 D-29 triangles ("purple" in the book diagram). Cut a strip as wide as N-81 (a scant 1 1/4") and 11" long from both the "yellow" and "lavender" fabrics.



3. Sew the strips right sides together on the long edge. Press toward the darker fabric. True up one end of the pair and then cut 8 pieces as wide as N-81 the Marti Way.



4. Join pairs of these pieces into four patches. Complete the Square Within a Square unit by adding D-29 triangles, opposite sides first.



5. Arrange and join the units into 3 rows, then join the rows to complete the block.