

Brand

TOTO

Product Name

CW522HME5UNW1

Description

- Wall hung toilet
- Tornado Flushing for powerful flushing effect with less amount of water
- Rimless bowl design ensures easy cleaning and ultimate hygiene
- CeFiONtect prevents debris on toilet surface
- Come with concealed feature, hiding all wires inside the bowl

Colour / Material

White

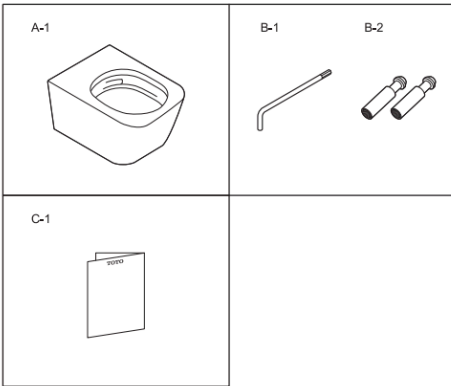
Specifications

Flush System	: Tornado, Dual Flush
Water Usage	: 3.50 L / 2.50 L
Rough-in	: 220 mm (P-Trap)
Size	: 380W x 580D x 335H mm
Water Pressure	: 0.05MPa ~ 0.75MPa

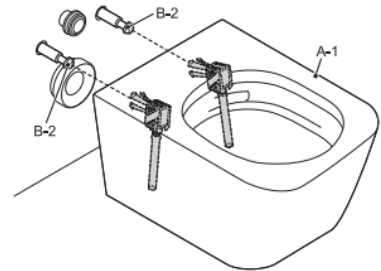
TOTO

K9203R FIXING KIT INSTALLATION MANUAL

Included Parts



Parts name

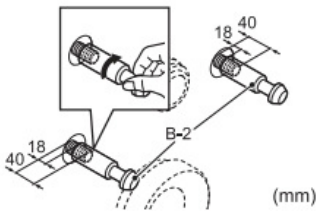


* The product may be slightly different in shape than the product shown in the figure depending on the model.

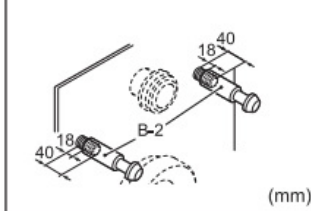
Installation Procedure

1

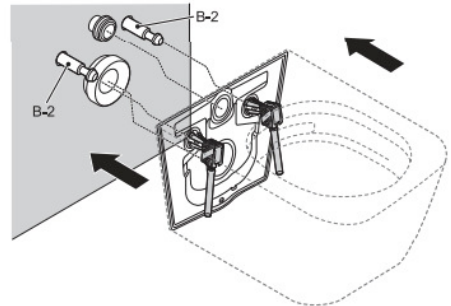
For finished wall surfaces



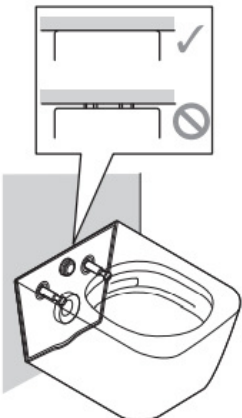
When using a sound insulation mat



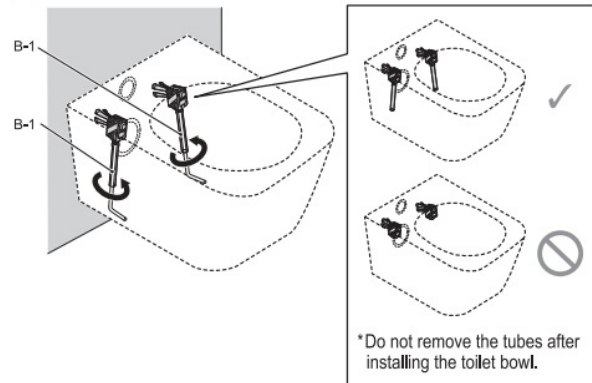
2



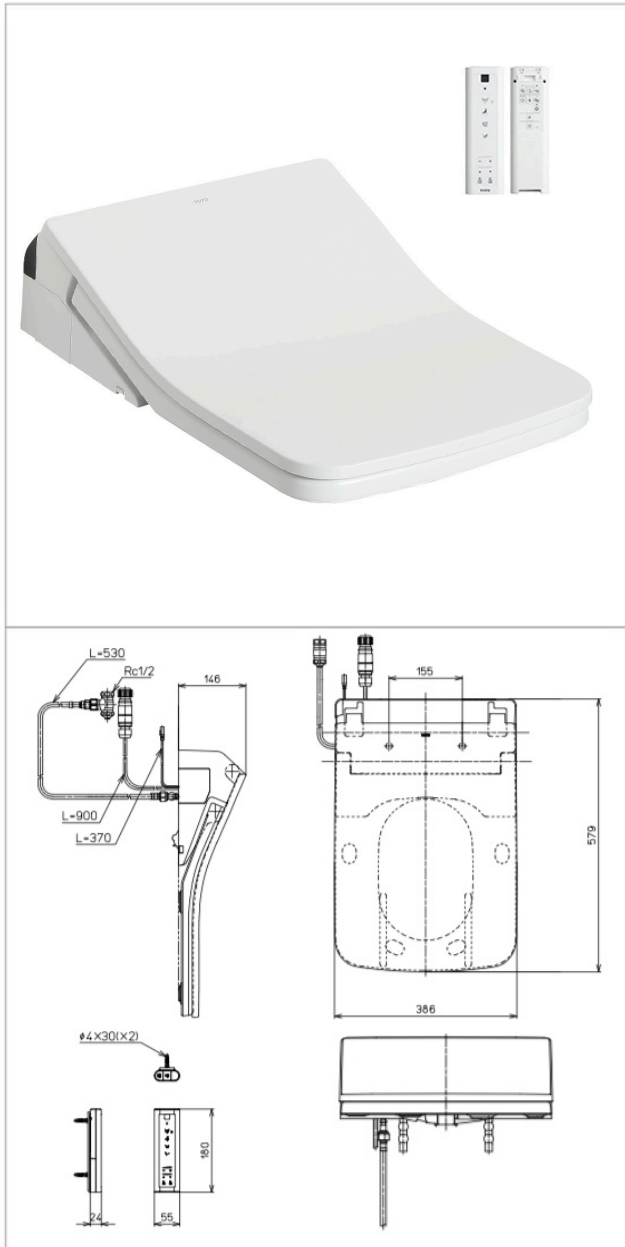
3



4



For repairs & maintenance, where the dismantling and reinstalling of the wall hung water closet is concern, it is advisable to change the fixing kit.



Brand

TOTO

Product Name

TCF797C2Z

Description

- Multi function Washlet with remote control
- EWATER+ spreads out and keeps clean toilet bowl and nozzle by preventing bacteria with sanitizing effect
- Fully equipped with comfortable rear, front, pulsating and oscillating cleansing functions
- Soft closing seat and cover
- PREMIST water is sprayed to make it difficult for dirt to adhere
- SELF-CLEANSING NOZZLE where wand self-cleans before and after every use
- AIR-IN WONDERWAVE Cleansing provides eco-friendliness
- Auto-flushing feature
- Come with 16A ELCB 10mA DP (SS97)
- Refer to 2nd page for detail functions

Colour / Material

White

Specifications

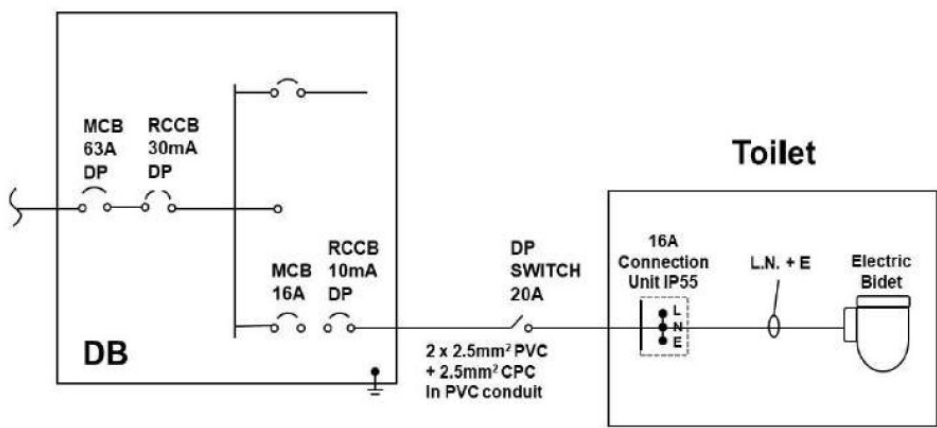
Size	: 386W x 579D x 146H mm
Water pressure	: 0.05MPa ~ 0.75MPa
Power rating	: 220V, 50/60H, 830W
Power cord	: 5100mm length



WASHLET FUNCTIONS

Hygiene Functions		Cleansing Functions		Comfort Functions	
Ewater+	•	Air in Wonder Wave	•	Auto Lid Opening and Closing	
Antibacterial Feature	•	Rear Cleansing	•	Soft Close Seat and Lid	•
Removable Lid		Soft Rear Cleansing	•	Deodorizer	•
One-Touch Removable of Main Unit	•	Front Cleansing	•	Dryer	
Nozzle Cleaning Button	•	Wide Front Cleansing		Heated Seat	•
Self-Cleaning Nozzle	•	Oscillating (Move) Cleansing	•	Soft Light	•
Pre-mist	•	Pulsating Cleansing	•	Remote Control	•
		Nozzle Position Adjustment	•	Water Pressure	•
				Personal Setting	•
				Temperature	•
				Energy Saver	•

Electrical Installation Requirements for TOTO Washlet & Neorest



Remarks:

The above information is a guideline and subjected to local code of practice and requirement. Please engage competent Electrical Contractor and Licensed Electrical Worker to carry out the work prior for inspection and certification.



Brand

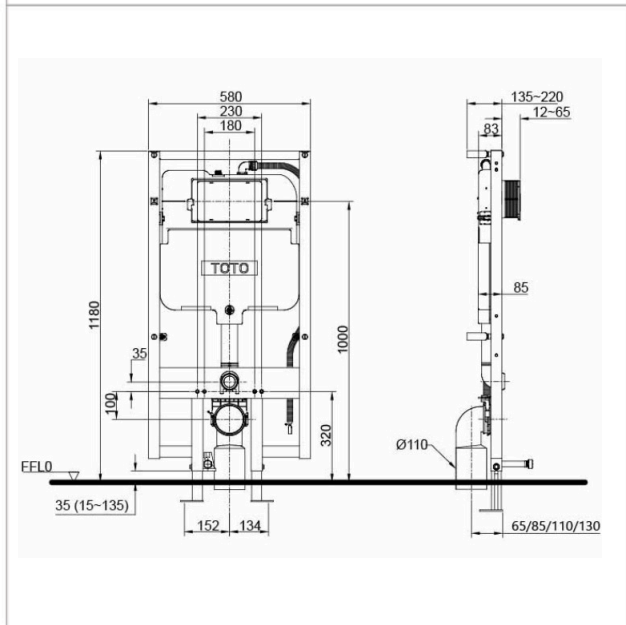
TOTO

Product Name

WH173SGAT

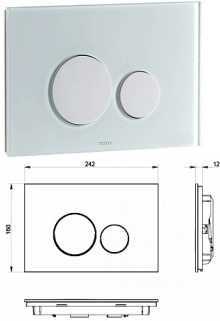
Description

- Concealed cistern tank
- Dual flush system
- Compatible with WASHLET +

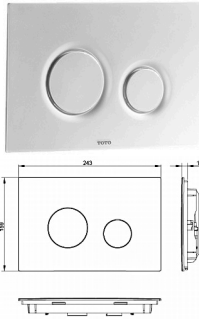


Colour / Material

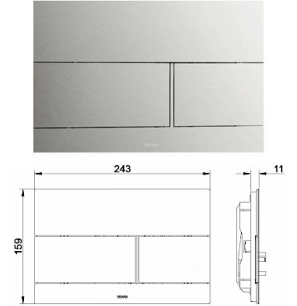
Specifications



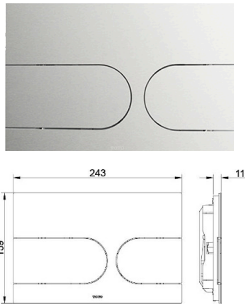
Model Name: MB176G#WH
Material: Glass
Glass with white buttons



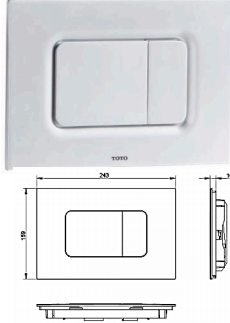
Model Name: MB174P#SS
Material: ABS
Sliver matte buttons



Model Name: MB171M#SS
Material: Stainless Steel
Stainless steel buttons



Model Name: MB175M#SS
Material: Stainless Steel
Stainless steel buttons



Model Name: MB170P#SS
Material: ABS
Sliver matte buttons