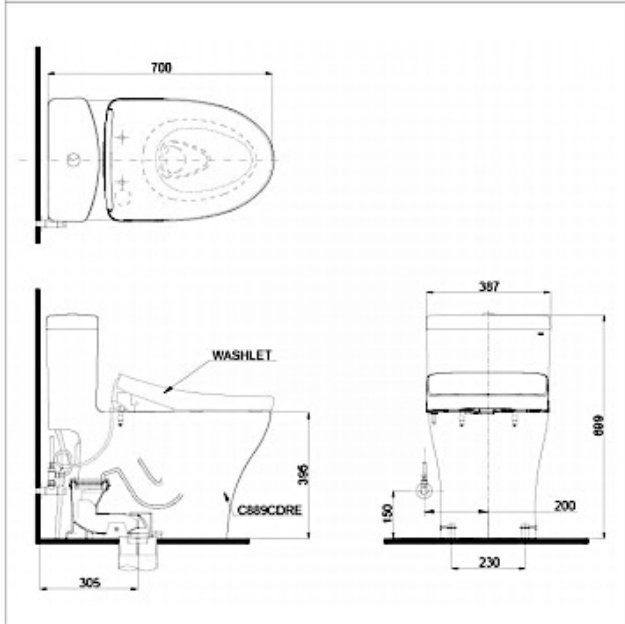




✓✓✓ Excellent



Brand

TOTO

Product Name

C889CDESI#XW

Description

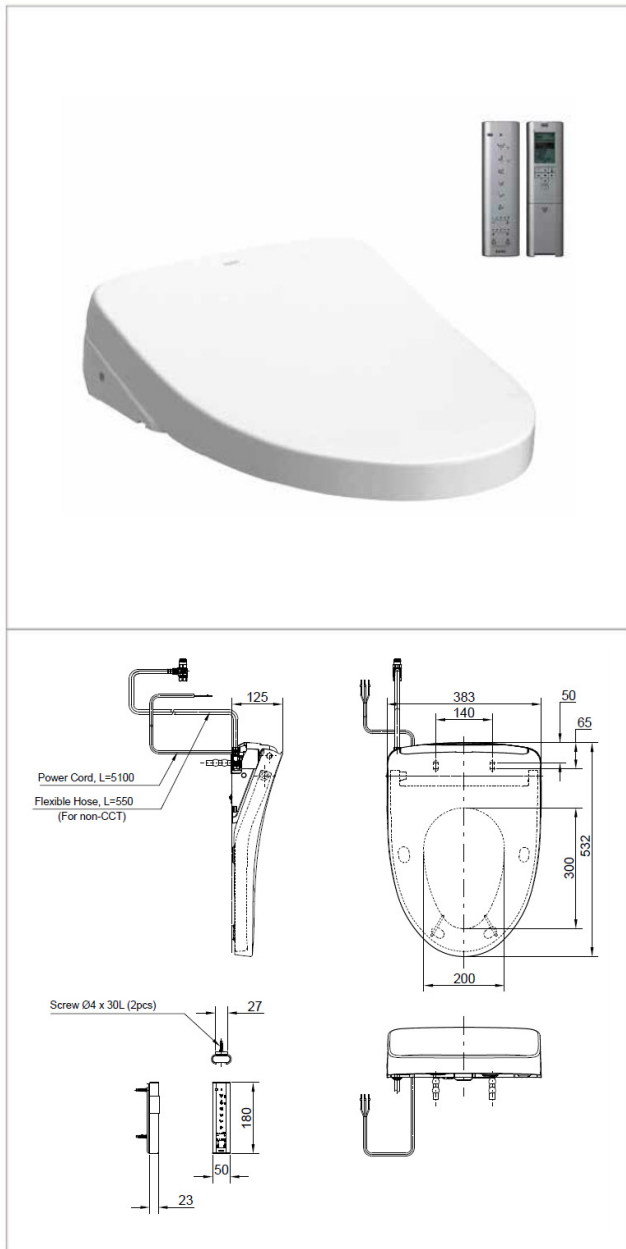
- One piece toilet
- S-trap: 4-10", 12"
- Tornado Flushing for powerful flushing effect with less amount of water
- Rimless bowl design ensures easy cleaning and ultimate hygiene
- CeFiONtect prevents debris on toilet surface
- Come with auto flush function when paired with TCA438 & TCF4911ESP

Colour / Material

White

Specifications

Flush System	: Tornado, Dual Flush
Water Usage	: 4.0L / 3.0L
Rough-in	: 305 mm (S-Trap)
Size	: 387W x 700D x 699H mm
Water Pressure	: 0.05MPa ~ 0.75MPa



Brand

TOTO

Product Name

TCF4911ESP

Description

- Multi function washlet with remote control
- EWATER+ automatically spreads out and keeps clean toilet bowl and nozzle by preventing bacteria with sanitizing effect
- Auto lid opening and closing
- Fully equipped with comfortable rear, front, pulsating and oscillating cleansing functions
- PREMIST water is sprayed to make it difficult for dirt to adhere
- SELF-CLEANSING NOZZLE where wand self-cleans before and after every use
- AIR-IN WONDERWAVE Cleansing provides eco-friendliness
- Come with 16A ELCB 10mA DP (SS97)
- Refer to 2nd page for detail functions

Colour / Material

White

Specifications

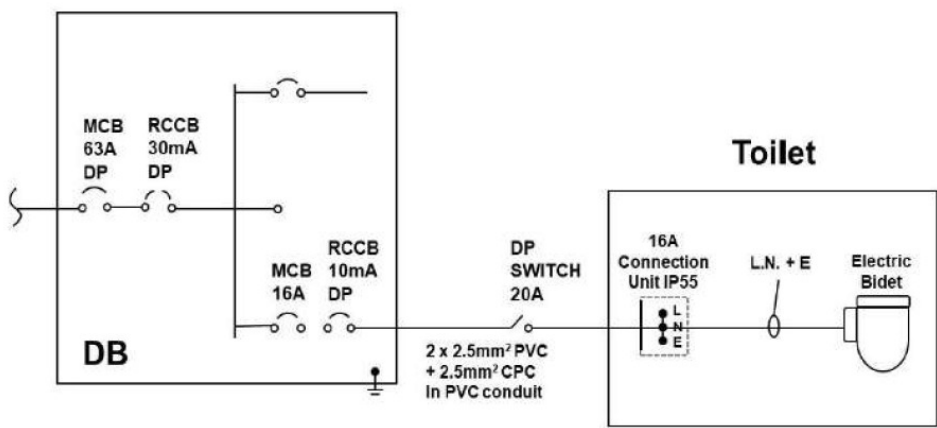
Size	: 383W x 532D x 125H mm
Water pressure	: 0.05MPa ~ 0.75MPa
Power rating	: 220V, 50/60H, 830W
Power cord	: 5100mm length



WASHLET FUNCTIONS

Hygiene Functions		Cleansing Functions		Comfort Functions	
Ewater+	•	Air in Wonder Wave	•	Auto Lid Opening and Closing	•
Antibacterial Feature	•	Rear Cleansing	•	Soft Close Seat and Lid	
Removable Lid	•	Soft Rear Cleansing	•	Deodorizer	•
One-Touch Removable of Main Unit	•	Front Cleansing	•	Dryer	•
Nozzle Cleaning Button	•	Wide Front Cleansing	•	Heated Seat	•
Self-Cleaning Nozzle	•	Oscillating (Move) Cleansing	•	Soft Light	•
Pre-mist	•	Pulsating Cleansing	•	Remote Control	•
		Nozzle Position Adjustment	•	Water Pressure	•
				Personal Setting	•
				Temperature	•
				Energy Saver	•

Electrical Installation Requirements for TOTO Washlet & Neorest



Remarks:

The above information is a guideline and subjected to local code of practice and requirement. Please engage competent Electrical Contractor and Licensed Electrical Worker to carry out the work prior for inspection and certification.