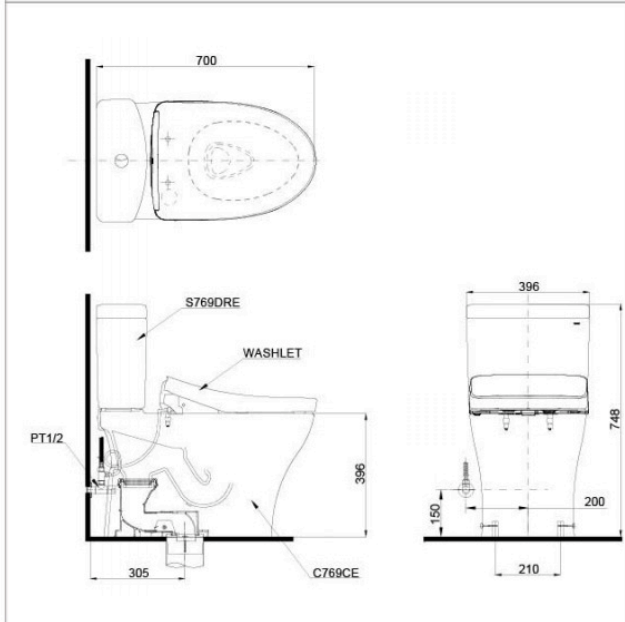




✓✓✓ Excellent



Brand

TOTO

Product Name

C769CESI#XW / S769DESI#W

Description

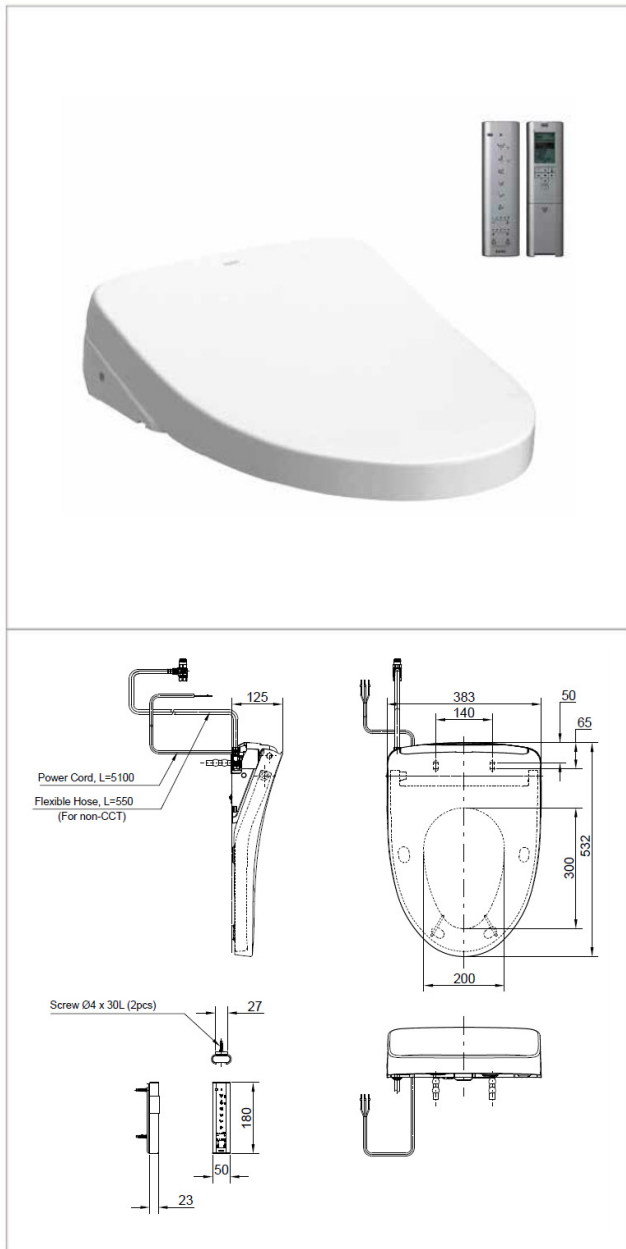
- Close coupled toilet
- S-trap: 4" - 10", 12"
- Tornado Flushing for powerful flushing effect with less amount of water
- Rimless bowl design ensures easy cleaning and ultimate hygiene
- CeFiONtect prevents debris on toilet surface
- Come with auto flush function when paired with TCA438 & TCF4911ESP

Colour / Material

White

Specifications

| | |
|----------------|-------------------------|
| Flush System | : Tornado, Dual Flush |
| Water Usage | : 4.0L / 3.0L |
| Rough-in | : 305 mm (S-Trap) |
| Size | : 396W x 700D x 748H mm |
| Water Pressure | : 0.05MPa ~ 0.75MPa |



Brand

TOTO

Product Name

TCF4911ESP

Description

- Multi function washlet with remote control
- EWATER+ automatically spreads out and keeps clean toilet bowl and nozzle by preventing bacteria with sanitizing effect
- Auto lid opening and closing
- Fully equipped with comfortable rear, front, pulsating and oscillating cleansing functions
- PREMIST water is sprayed to make it difficult for dirt to adhere
- SELF-CLEANSING NOZZLE where wand self-cleans before and after every use
- AIR-IN WONDERWAVE Cleansing provides eco-friendliness
- Come with 16A ELCB 10mA DP (SS97)
- Refer to 2nd page for detail functions

Colour / Material

White

Specifications

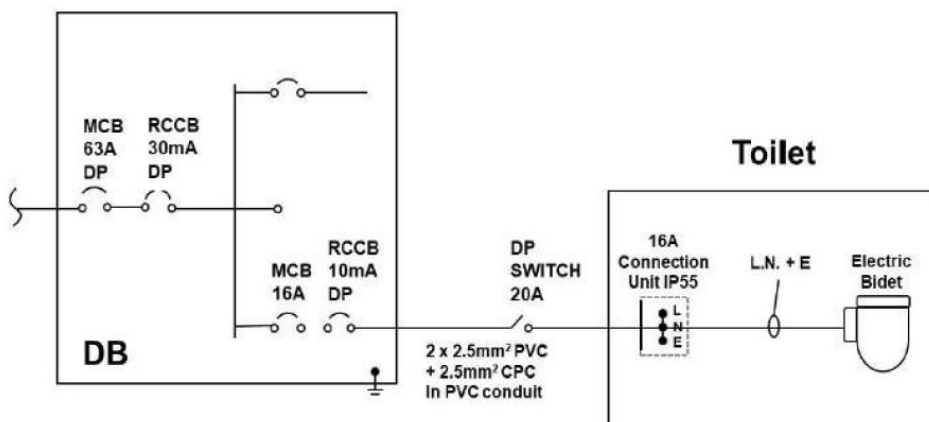
| | |
|----------------|-------------------------|
| Size | : 383W x 532D x 125H mm |
| Water pressure | : 0.05MPa ~ 0.75MPa |
| Power rating | : 220V, 50/60H, 830W |
| Power cord | : 5100mm length |



WASHLET FUNCTIONS

| Hygiene Functions | | Cleansing Functions | | Comfort Functions | |
|----------------------------------|---|------------------------------|---|------------------------------|---|
| Ewater+ | • | Air in Wonder Wave | • | Auto Lid Opening and Closing | • |
| Antibacterial Feature | • | Rear Cleansing | • | Soft Close Seat and Lid | |
| Removable Lid | • | Soft Rear Cleansing | • | Deodorizer | • |
| One-Touch Removable of Main Unit | • | Front Cleansing | • | Dryer | • |
| Nozzle Cleaning Button | • | Wide Front Cleansing | • | Heated Seat | • |
| Self-Cleaning Nozzle | • | Oscillating (Move) Cleansing | • | Soft Light | • |
| Pre-mist | • | Pulsating Cleansing | • | Remote Control | • |
| | | Nozzle Position Adjustment | • | Water Pressure | • |
| | | | | Personal Setting | • |
| | | | | Temperature | • |
| | | | | Energy Saver | • |

Electrical Installation Requirements for TOTO Washlet & Neorest



Remarks:

The above information is a guideline and subjected to local code of practice and requirement. Please engage competent Electrical Contractor and Licensed Electrical Worker to carry out the work prior for inspection and certification.