

Brand

TOTO

Product Name

TCF33320GSG

Description

- EWATER+ spreads out and keeps clean nozzle by preventing bacterial with sanitizing effect
- PREMIST water is sprayed inside the toilet bowl to make it difficult for dirt to adhere
- Maximized comfort function with new wide front and pulsating cleansing
- Fully equipped with comfortable rear, front and oscillating cleansing functions
- Adjustable WARM AIR DRYING and HEATED SEAT with temperature control
- Auto powerful DEODORIZER activates after every usage
- Comes with ABB F202 RCCB

Colour / Material

White / Plastic

Specifications

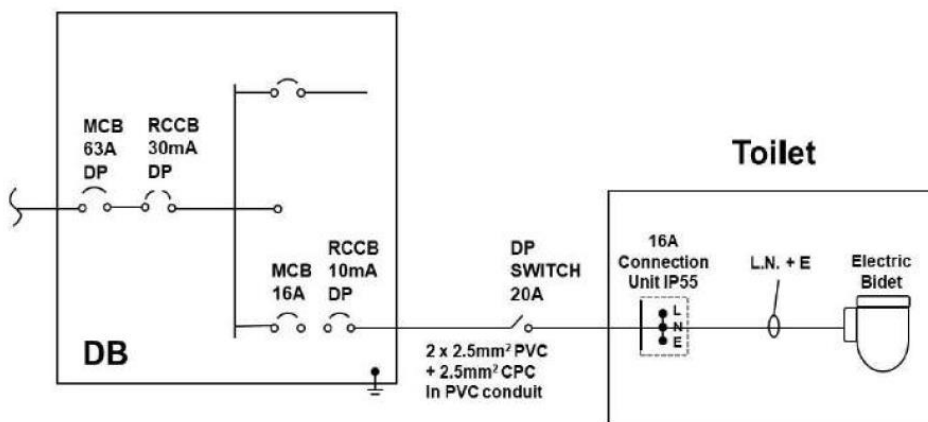
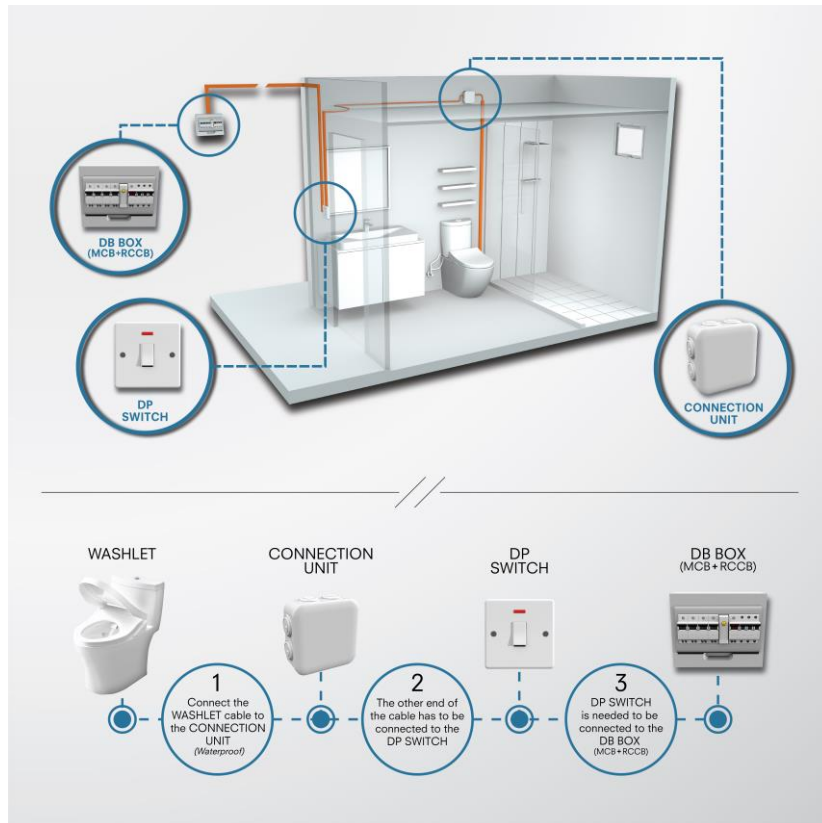
| | |
|----------------|---------------------------------|
| Size | : 462W x 540D x 130H mm |
| Water pressure | : 0.05MPa ~ 0.75MPa |
| Power rating | : 220~240V, 50/60Hz, 828 ~ 839W |
| Power cord | : 5000mm length |



WASHLET TCF33320GSG#NW1 FUNCTIONS

| Hygiene Functions | | Cleansing Functions | | Comfort Functions | |
|--------------------------|---|----------------------------|---|-----------------------|---------------|
| EWATER+ | ● | AIR-IN WONDERWAVE | | Soft Close Seat & Lid | ● |
| PREMIST | ● | Rear Cleansing | ● | AUTO OPEN / CLOSE LID | |
| SELF-CLEANING WAND | ● | Rear Soft Cleansing | ● | AUTO FLUSH | |
| Self – Cleaning Button | ● | Front Cleansing | ● | HEATED SEAT | ● |
| Clean Resin | ● | Wide Front Cleansing | | DRYER | ● |
| Removable Lid | ● | Oscillating Cleansing | ● | DEODORIZER | ● |
| One-Touch Removable Unit | ● | Pulsating Cleansing | | SOFT LIGHT | |
| Antibacterial Surface | ● | Nozzle Position Adjustment | ● | Water Heating Type | Instantaneous |
| | | | | Temperature (Water) | ● |
| | | | | Water Pressure | ● |
| | | | | Remote Control | |
| | | | | Personal Setting | |
| | | | | Energy Saver | ● |

Electrical Installation Requirements for TOTO Washlet & Neorest



Remarks:

The above information is a guideline and subjected to local code of practice and requirement. Please engage competent Electrical Contractor and Licensed Electrical Worker to carry out the work prior for inspection and certification.