



## Brand

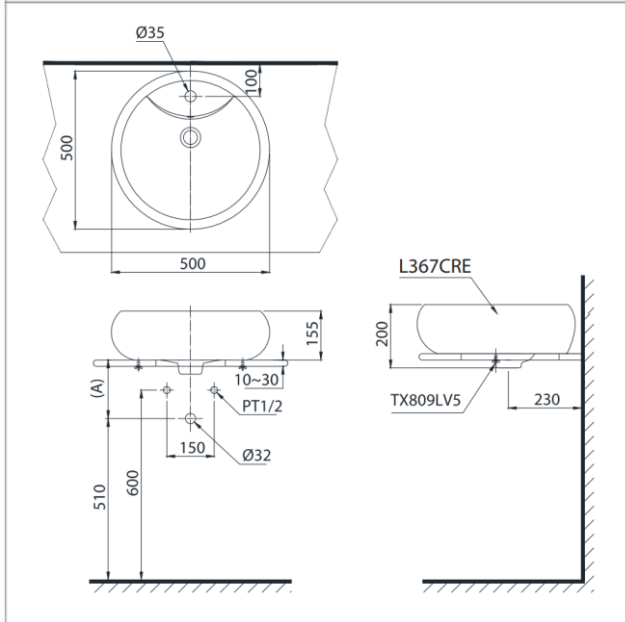
TOTO

## Product Name

L367CRE

## Description

- Counter top basin
- CEFIONTECT technology: super smooth, ion barrier glazing
- Rear overflow



## Colour / Material

White / Ceramic

## Specifications

Size : 500W x 500D x 155H mm