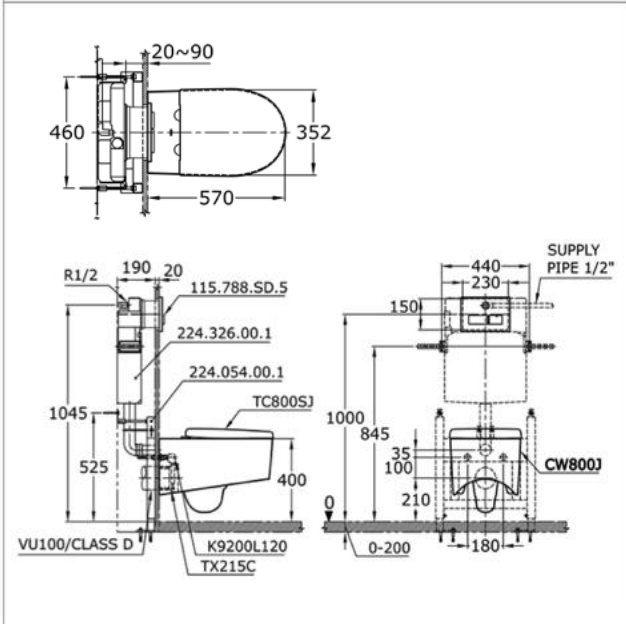




✓✓✓ Excellent



**Brand**

TOTO

**Product Name**

CW800J

**Description**

- Wall hung toilet

**Colour / Material**

White

**Specifications**

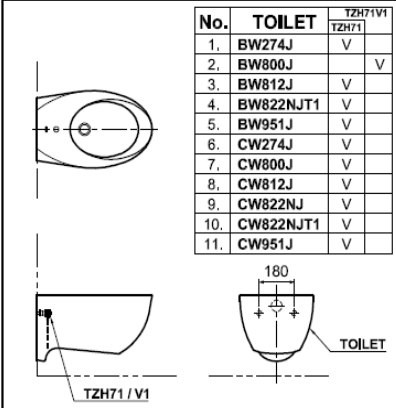
Flush System	: Wash down
Water Usage	: 3.50 L / 2.20 L
Rough-in	: 210 mm (P-Trap)
Size	: 352W x 570D x 355H mm
Water Pressure	: 0.05MPa ~ 0.75MPa

# TOTO

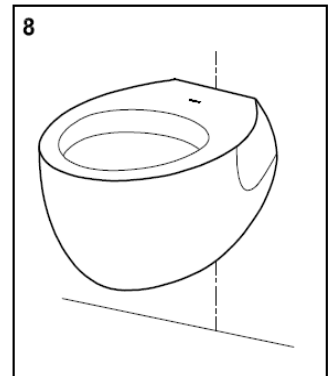
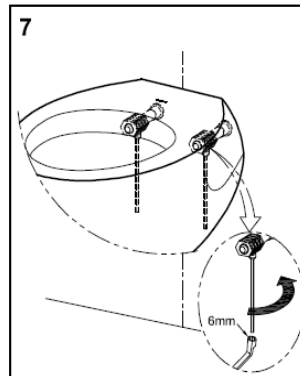
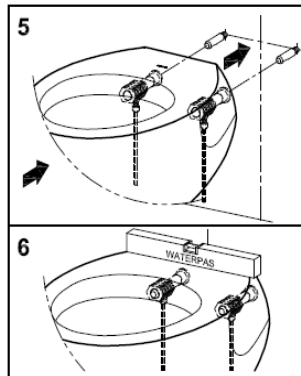
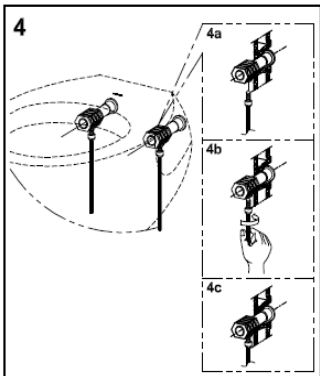
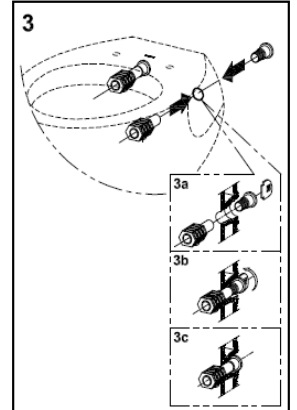
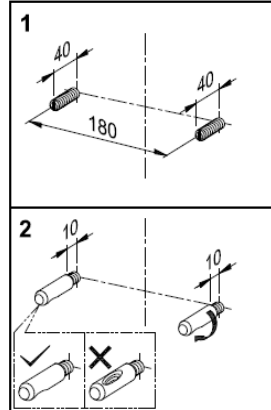
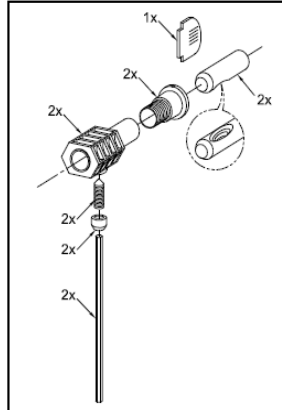
## TZH71 / V1 INSTALLATION MANUAL

### SPECIFICATIONS

No.	TOILET	TZH71/V1	
		TZH71	V1
1.	BW274J	V	
2.	BW800J	V	V
3.	BW812J	V	
4.	BW822NJT1	V	
5.	BW951J	V	
6.	CW274J	V	
7.	CW800J	V	
8.	CW812J	V	
9.	CW822NJ	V	
10.	CW822NJT1	V	
11.	CW951J	V	



### INSTALLATION



Note : \* This Installation drawing is intended as a recommendation only. Please consult your local plumbing contractor for the best arrangement for your bathroom. The manufacturer and seller take no responsibility for how the unit is installed \*

#### Please Note:

Kindly engage a qualified personnel or a plumber to ensure proper installation of the CW822NJ, CW800J and CW812J wall hung water closet. CW822NJ, CW800J and CW812J wall hung WC shall complete with Hot-dipped galvanized bracket with powder coating that comply with loading test of 400kg. CW822NJ, CW800J and CW812J wall hung water closet are only meant to be installed on brick wall or solid concrete wall. We will not be held responsible if the water closet is not properly installed. Kindly contact our sales representative or technician should you encounter any issues with the installation of CW822NJ, CW800J and CW812J wall hung WC. An onsite technician will be available to do an installation demonstration.

For repairs & maintenance, where the dismantling and reinstalling of the wall hung water closet is concern, it is advisable to change the fixing kit.