

AB8 Burner



AB8 Burner Design features



1. Top Tray

The Top Tray protects against heat transference and aids in the collection of accidental spillage.

To comply with EN 16647 the Top Tray must be installed before operating the burner.

2. Dedicated Filling Point

A designated, in-built filling point to ensure the same procedures can be followed to decrease the likelihood of overfilling.

Consistent and Reliable

Its minimalist design and ability to withstand extreme heat result in consistent and reliable operation at all temperatures and permitted fuel levels.

No Flue, No Chimney, No Vent

There's no need for a chimney to vent harmful gases, as burning liquid e-NRG bioethanol does not produce any smoke. No utility connections required!

3. AB8 Efficiency Ring (AB8 Burners Only)

The AB8 Efficiency Ring is placed over the internal burner vents when cold and not operating and serves to increase the efficiency of the burner as well as further stabilise the flame of the burner.

To comply with EN 16647 the AB8 Efficiency Ring must be installed before operating the burner.

Environmentally-friendly

Fuelled by eco-friendly, readily available renewable energy – e-NRG bioethanol.

Dual Function Lid

A simple lid is used to extinguish the flame and cover the burner opening when it is not in use. This prevents dust particles, leaf litter, rain and debris from falling into the 304 grade stainless steel tank, leaving it clean and safe for use year round.



4. Colours

Available in Stainless Steel and Black.

Easy to Clean

Our bioethanol burners can be washed in hot water (or even put in your dishwasher), a key competitive difference.

AB Burner Series

The fuel capacity and heat output are the key differences between the AB8 (8L Burner) and AB3 (2.5L Burner). Both burners have a similar burn time.

Global Compliance

All burners are UL Listed in accordance with ANSI/UL1370 in the USA, Certified by BSI in accordance with EN16647, and comply with the ACCC Safety Mandate for Australia.

**Decorative media is not to be placed directly on top of the burner or anywhere they can interfere with the operation of the burner or the stability of flame.*

Included Accessories



Jerry Can with Safety Spout & e-NRG bottle adaptor



Lighting Rod & Lighter



AB8 Efficiency Ring



Burner Top Tray

Optional Accessories



Black Glass Charcoal*



Plasma Fire Screen



Twin Feet Fixings

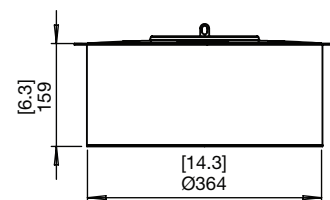
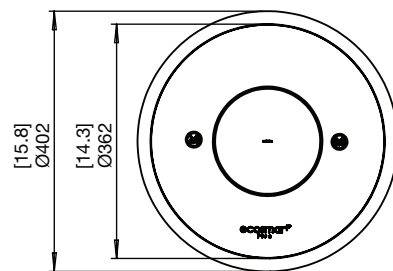
AB8 Specifications

Its compact design enables the round-shaped AB8 to be easily integrated into outdoor and indoor fire designs.

Burner Ventilation and Efficiency*

Dimensions L x W x D mm/in	Fuel Capacity	Heats on Average (Indoors)	Fuel Consumption	Thermal Output Net (MAX)	Approx. Burn Time	Minimum Room Size (per burner)
402 x 402 x 159 15.8 x 15.8 x 6.3	8 L [2.1 Gals]	Over 60 m ² [645 ft ²]	1.1 L/h [0.29 Gal/h]	21.56 MJ/h 20,433 BTU/h 5.99 kW	7 - 9 hours	116 m ³ [4,096 ft ³]
		With AB8 Efficiency Ring** (EN Compliant)				
		Over 30 m ² [322.9 ft ²]	0.7 L/h [0.18 Gal/h]	13.9 MJ/h 12,860 BTU/h 3.77 kW	9 - 11 hours	

Application	Indoor & Outdoor
Burner Colour	Stainless Steel ESF.B.AB8.WTT Black ESF.B.AB8.WTT.BL
Materials	Grade 304 Stainless Steel Burner, with optional Black Ceramic Coating, Grade 304 Stainless Steel Top Tray with optional Black Hi-Temp Powder-Coating
Approx. Weight	8.2kg [18.1lbs]
Fuel Type	e-NRG Bioethanol / e-NRG.com



*These values are indicative only and may vary depending on the model purchased, installation, and the seasonal resource used to manufacture e-NRG.
 **To comply with EN 16647 the AB8 Efficiency Ring and Top Tray must be installed before operating the burner.
 Read the manual carefully before operating the burner. Physical model dimensions should be verified against cut out dimensions BEFORE installation begins to confirm tolerances align.
 All burners are UL Listed in accordance with ANSI/UL1370 in the USA, Certified by BSI in accordance with EN16647, and comply with the ACCC Safety Mandate for Australia (except VB).

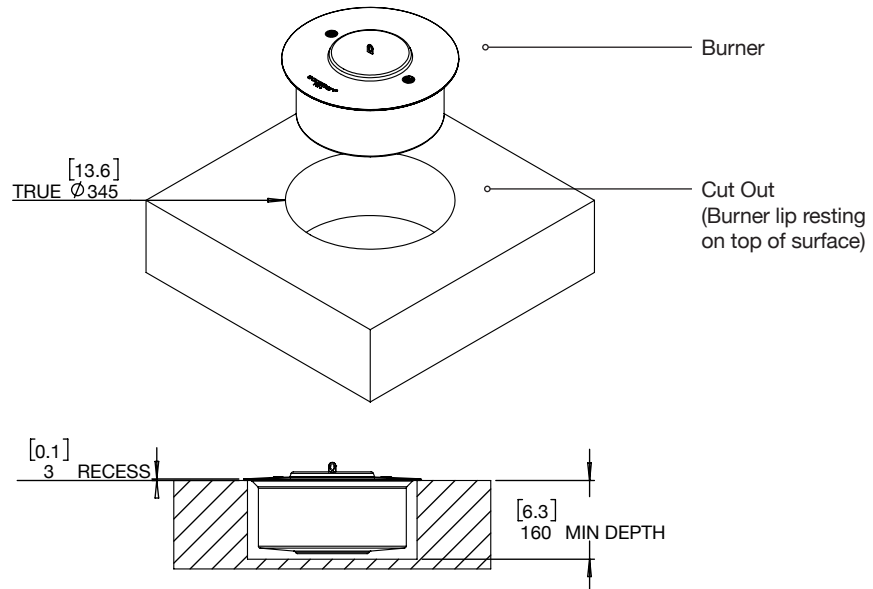
FOR MORE INFORMATION PLEASE REFERENCE THE CLEARANCE & INSTALLATION MANUAL

Disclaimer: All product specifications and data are subject to change without notice and believed to be correct at the time of publication. MAD Design Group (MDG), its affiliates, agents, and employees, and all persons acting on its or their behalf (collectively, "MAD Design Group"), disclaim any and all liability for any errors, inaccuracies or incompleteness contained herein or in any other disclosure relating to any product. MDG disclaims any and all liability arising out of the use or application of any product described herein or of any information provided herein to the maximum extent permitted by law. The product specifications do not expand or otherwise modify MDG's terms and conditions of purchase, including but not limited to the warranty expressed therein, which apply to these products. No license, express or implied, by estoppel or otherwise, to any intellectual property rights is granted by this document or by any conduct of MDG. Customers using or selling MDG products not expressly indicated for use in such applications do so entirely at their own risk and agree to fully indemnify MDG for any damages arising or resulting from such use or sale. Please contact authorised personnel from MDG to obtain written terms and conditions regarding products designed for such applications. Images are indicative only.

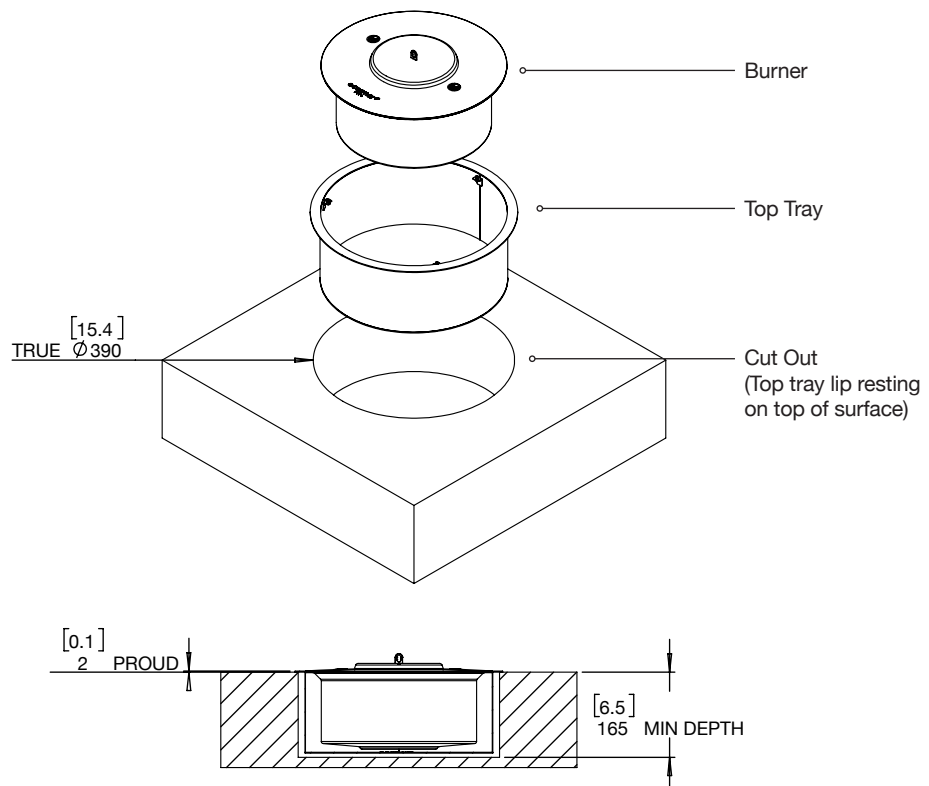
AB8 Cut-out dimensions

Physical model dimensions should be verified against cut out dimensions BEFORE installation begins to confirm tolerances align.

Burner without Top Tray



Burner with Top Tray



FOR MORE INFORMATION PLEASE REFERENCE THE CLEARANCE & INSTALLATION MANUAL

Disclaimer: All product specifications and data are subject to change without notice and believed to be correct at the time of publication. MAD Design Group (MDG), its affiliates, agents, and employees, and all persons acting on its or their behalf (collectively, "MAD Design Group"), disclaim any and all liability for any errors, inaccuracies or incompleteness contained herein or in any other disclosure relating to any product. MDG disclaims any and all liability arising out of the use or application of any product described herein or of any information provided herein to the maximum extent permitted by law. The product specifications do not expand or otherwise modify MDG's terms and conditions of purchase, including but not limited to the warranty expressed therein, which apply to these products. No license, express or implied, by estoppel or otherwise, to any intellectual property rights is granted by this document or by any conduct of MDG. Customers using or selling MDG products not expressly indicated for use in such applications do so entirely at their own risk and agree to fully indemnify MDG for any damages arising or resulting from such use or sale. Please contact authorized personnel from MDG to obtain written terms and conditions regarding products designed for such applications. Images are indicative only.